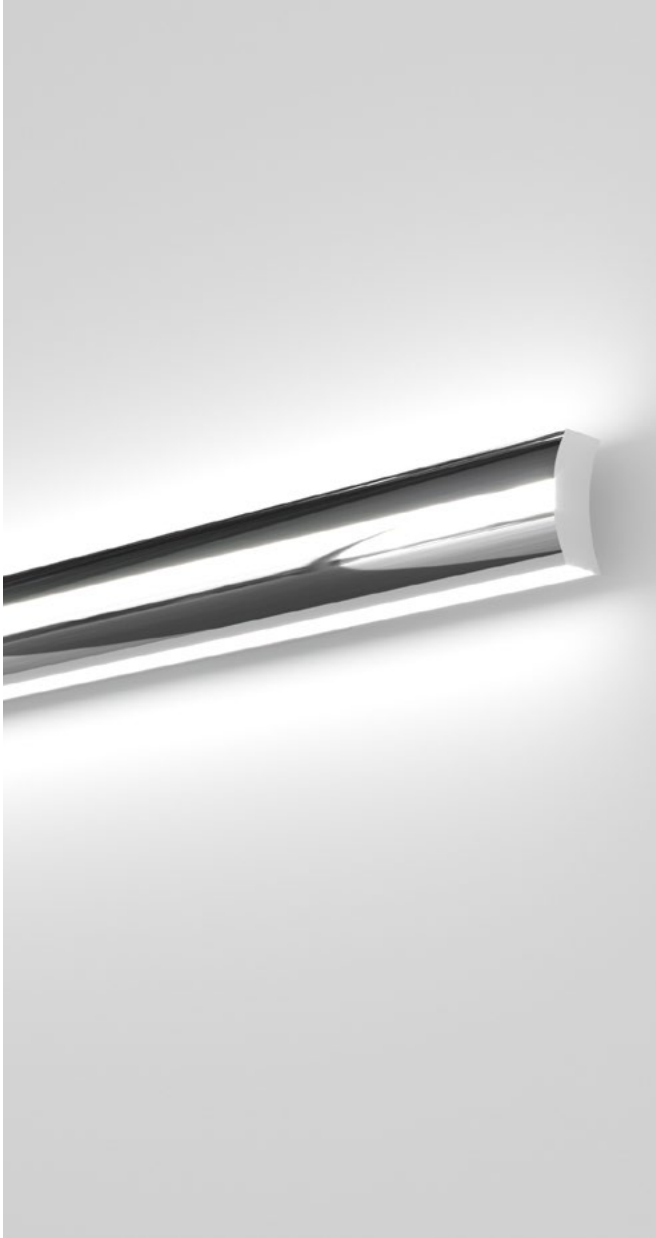




# M I D I A R C



# MIDI ARC RING



# MIDI ARC RING



Our **curved edged design** brings a softer architectural profile to the space



# MIDI ARC RING SIZES

84" (2134mm)

72" (1829mm)

60" (1524mm)

48" (1219mm)



**FIVE** sizes available in Direct or Direct/Indirect versions,  
with lumen packages from 3,000 to 14,500

# MIDI ARC RING FINISHES

**TWO** signature finishes that enhance the curvature of the profile

Available in **NINE** additional finishes, including Metallic & Metallic Textured



WHITE  
GLOSS

POLISHED  
ALUMINUM



# MIDI ARC RING



# MIDI ARC RING



# MIDI ARC RING

Create a custom cluster with different size combinations





MIDI ARC V

THE  
**CURVED**  
EDGE DESIGN



# MIDI ARC V



# MIDI ARC V SIZES

**FOUR** sizes available in Wall mount version, with lumen packages from 1,000 to 4,000

48" (1219mm)

36" (914mm)

24" (610mm)

12" (305mm)



# MIDI ARC V FINISHES

ELEVEN finishes that enhance the curvature of the profile



WHITE  
GLOSS

POLISHED  
ALUMINUM

# MIDI ARC V



MIDI ARC H



THE  
**CURVED**  
EDGE DESIGN

# MIDI ARCH H



# MIDI ARC H

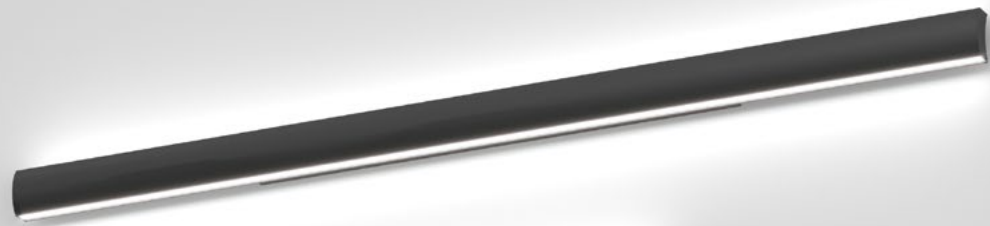




# MIDI ARC H SIZES

FOUR sizes available in Wall mount version

70" (1778mm)



47" (1194mm)



35" (889mm)

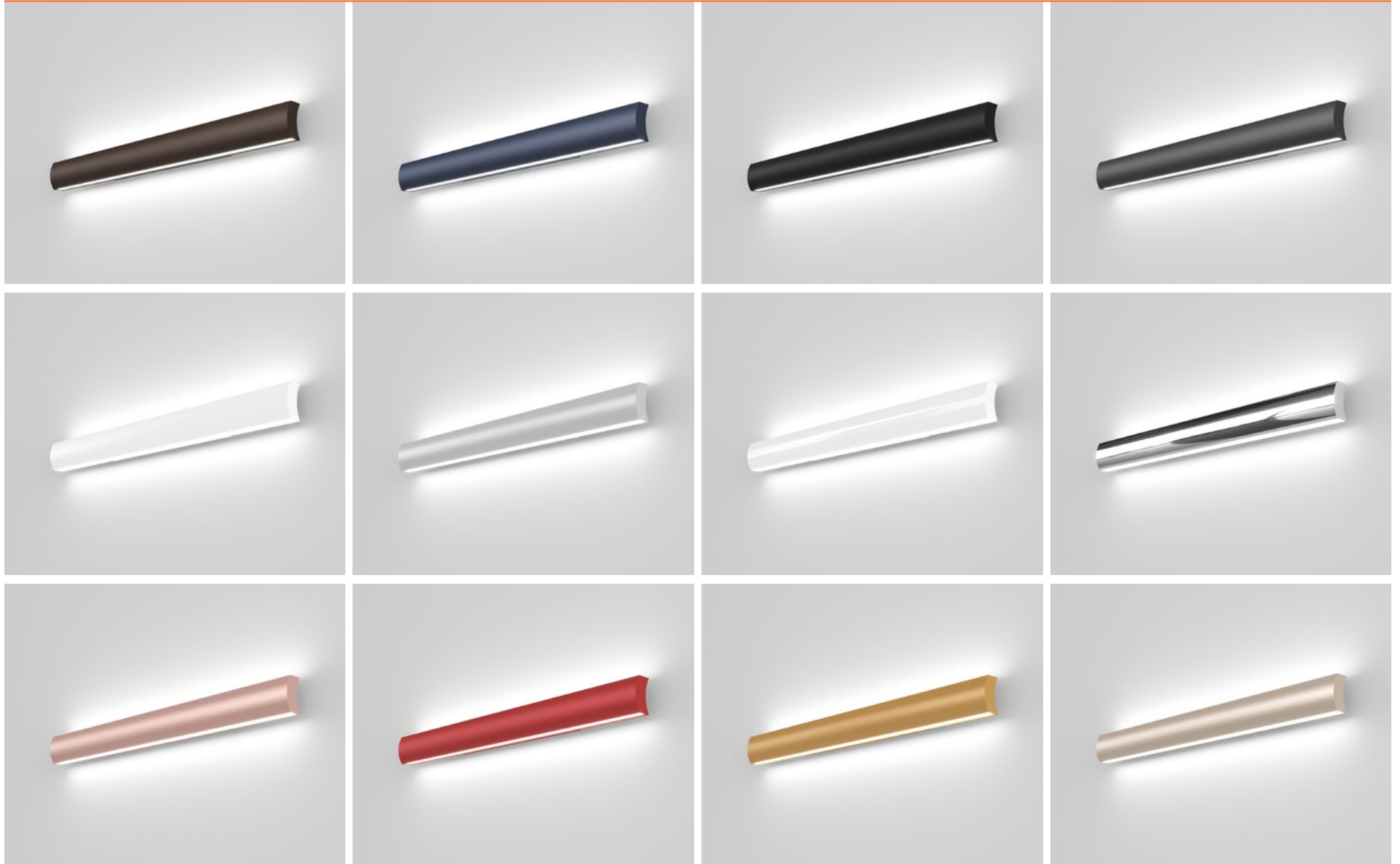


24" (610mm)



# MIDI ARC H FINISHES

**TWELVE** finishes that enhance the curvature of the profile



# MIDI ARC H





# M I D I A R C



# MIDI ARC RING SPECIFICATIONS



## LUMINAIRE

Code	Diameter	Lms/Ft (Lm/m) Down	Lms/Ft (Lm/m) Up	Lms Down	Lms Up	Wattage	LPW
AAY2	48" (1219mm)	300 (1000)		4100		40	95
AAY3	60" (1524mm)	300 (1000)		5100		54	95
AAY4	72" (1829mm)	300 (1000)		6100		64	95
AAY5	84" (2134mm)	300 (1000)		7200		76	95
AAY7	48" (1219mm)	300 (1000)	300 (1000)	4100	4100	86	95
AAY8	60" (1524mm)	300 (1000)	300 (1000)	5100	5100	108	95
AAY9	72" (1829mm)	300 (1000)	300 (1000)	6100	6100	128	95
AAY10	84" (2134mm)	300 (1000)	300 (1000)	7200	7200	152	95

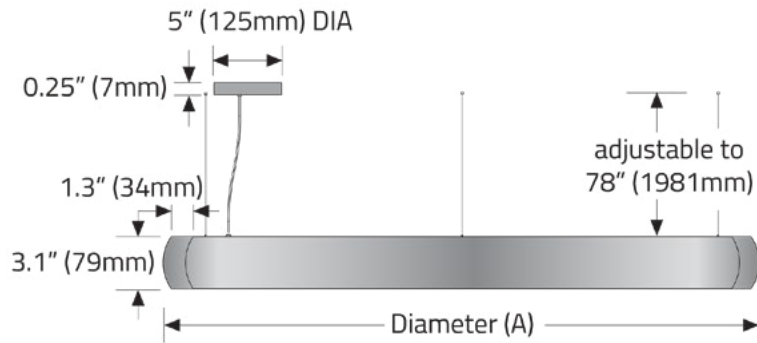
## LUMENS/FT (LUMENS/M) DOWN

DA10	100 lm/ft (350 lm/m)
DA20	200 lm/ft (650 lm/m)
DA30	300 lm/ft (1000 lm/m)

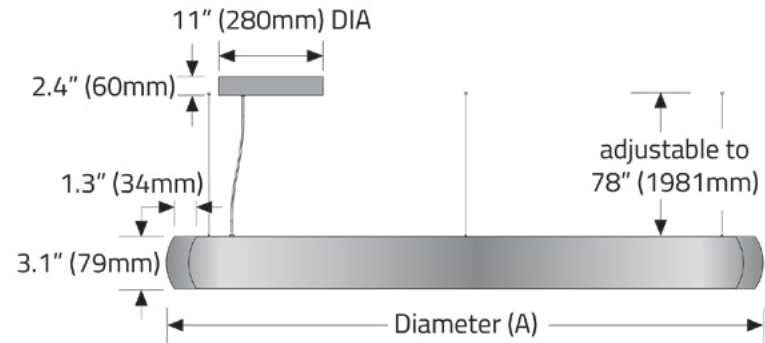
## LUMENS/FT (LUMENS/M) UP

DB10	100 lm/ft (350 lm/m)
DB20	200 lm/ft (650 lm/m)
DB30	300 lm/ft (1000 lm/m)

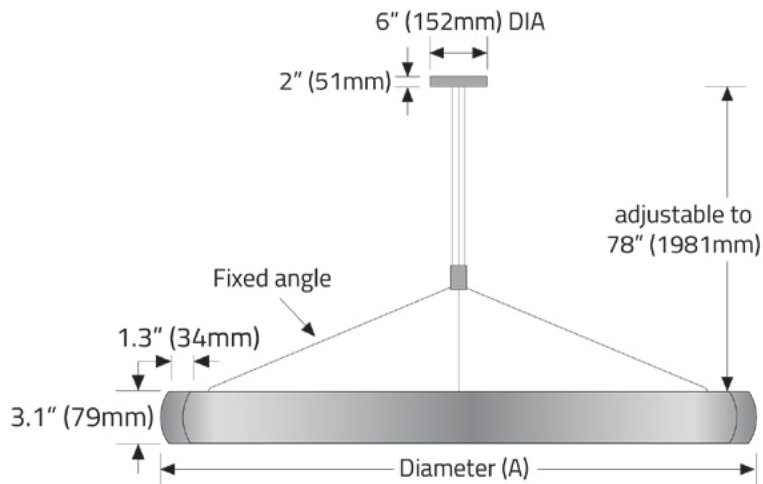
# MIDI ARC RING SUSPENSION DIAGRAM



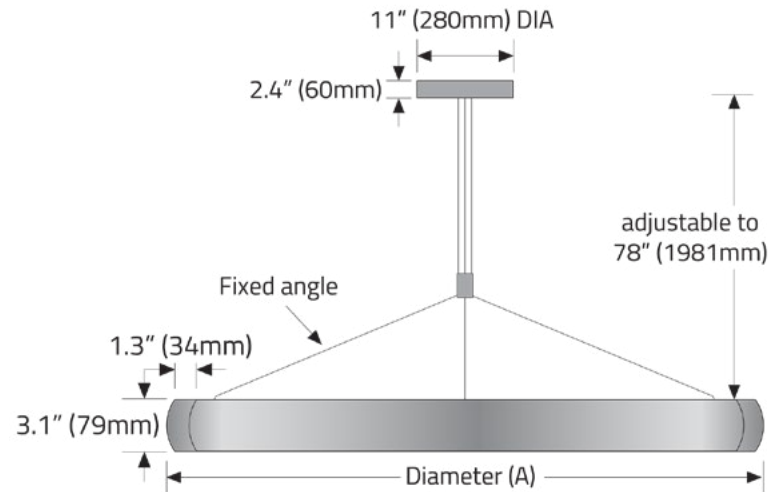
PI - VERTICAL, REMOTE DRIVER



P3 - VERTICAL, INTEGRAL DRIVER



P2 - HUB, REMOTE DRIVER



P4 - HUB, INTEGRAL DRIVER

# MIDI ARC V SPECIFICATIONS

## LUMINAIRE

Code	Length (A)	Length (B)	Wattage	Delivered lms	LPW
ABD1	12" (305mm)	8" (203mm)	9W	1000	117
ABD2	24" (610mm)	12" (305mm)	17W	2001	117
ABD3	36" (914mm)	18" (457mm)	26W	3001	117
ABD4	47" (1194mm)	23" (584mm)	34W	4001	117

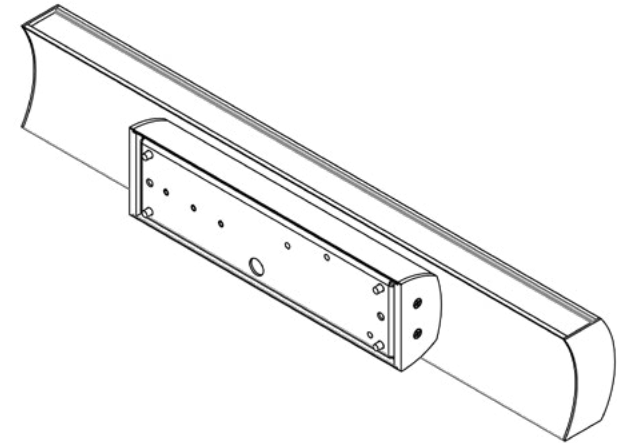
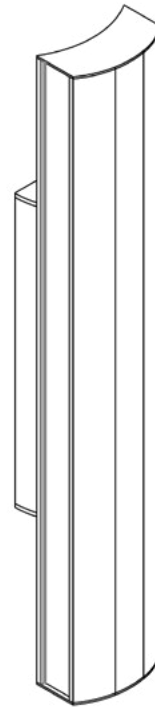
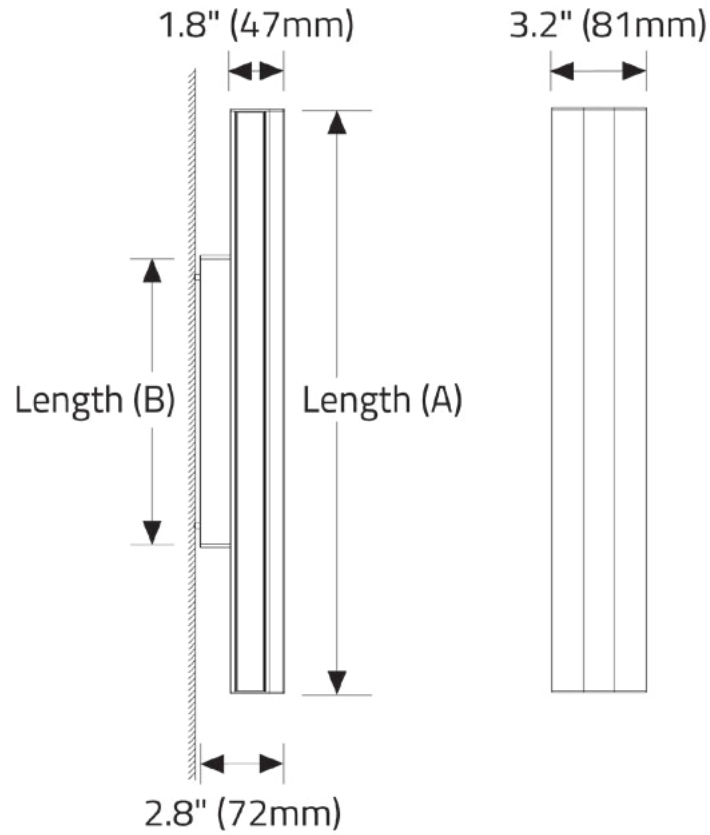
## LUMENS

L10	1000 lm
L15	1500 lm
L20	2000 lm
L25	2500 lm
L30	3000 lm
L35	3500 lm
L40	4000 lm



# MIDI ARC V DIMENSIONAL DIAGRAM

---



ISOMETRIC VIEW



# MIDI ARC H SPECIFICATIONS



## LUMINAIRE

Code	Length (A)	Light Direction	Wattage	Del. lms (Direct)	Del. lms (Indirect)
MAHWIP02	24" (610mm)	Direct	9W	1000	
MAHWIP03	35" (889mm)	Direct	13W	1500	
MAHWIP04	47" (1194mm)	Direct	17W	2000	
MAHWIP06	70" (1778mm)	Direct	26W	3000	
MAHW2P02	24" (610mm)	Direct/Indirect	18W	1000	1000
MAHW2P03	35" (889mm)	Direct/Indirect	26W	1500	1500
MAHW2P04	47" (1194mm)	Direct/Indirect	34W	2000	2000
MAHW2P06	70" (1778mm)	Direct/Indirect	51W	3000	3000

# MIDI ARC H DIMENSIONAL DIAGRAM

---

