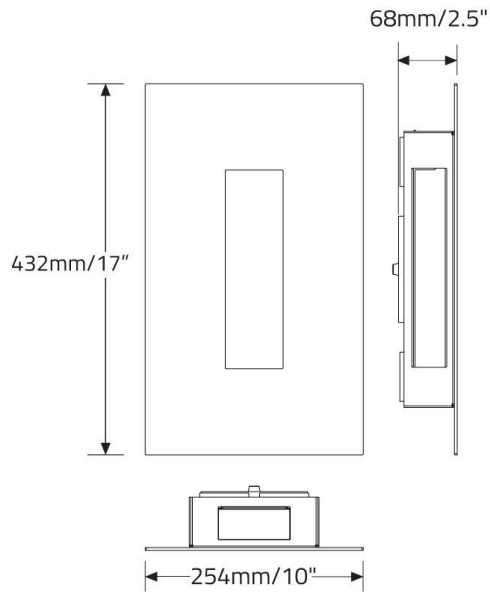
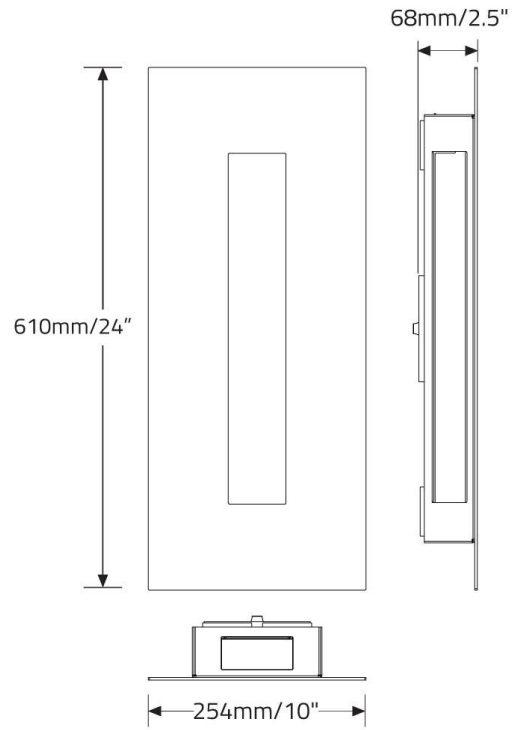


Framed™ - Dimensional Diagrams

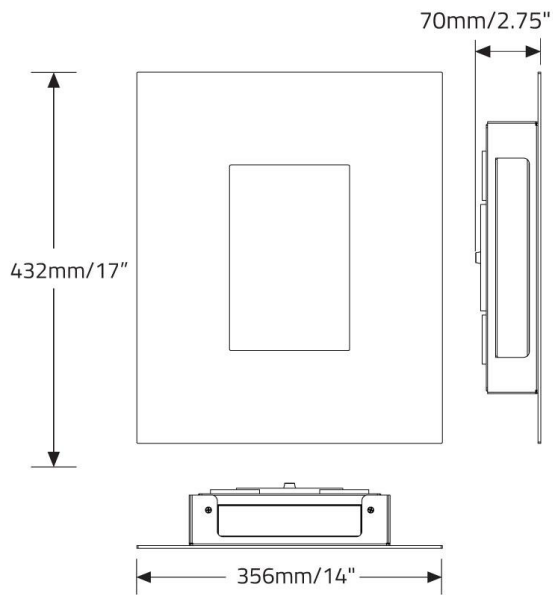
TYPE A



TYPE B



TYPE C



TYPE D

