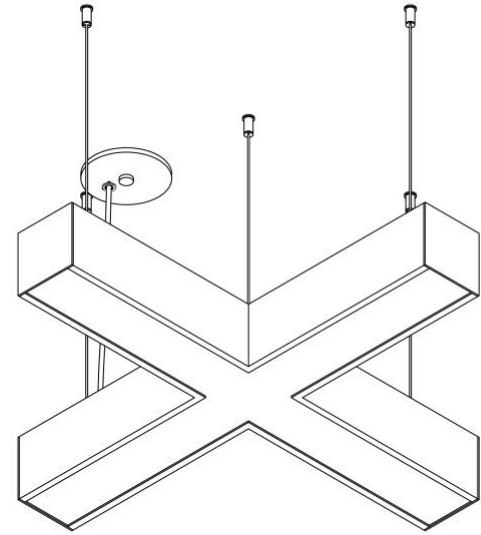
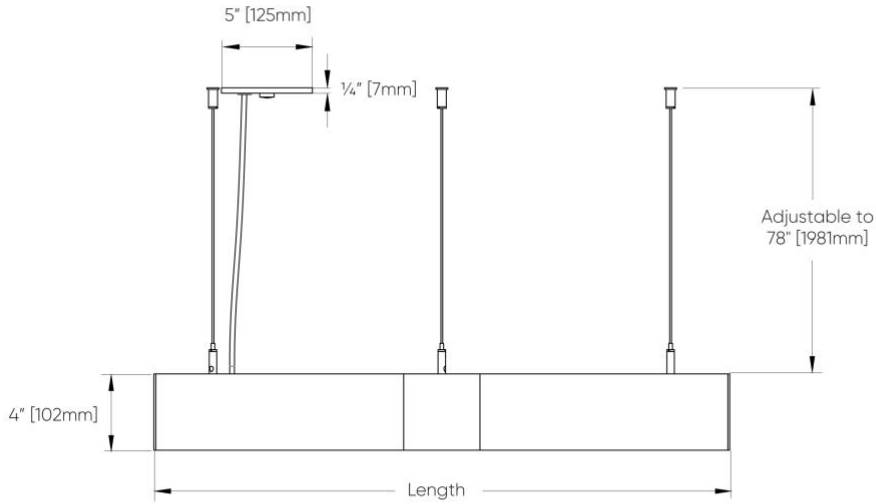
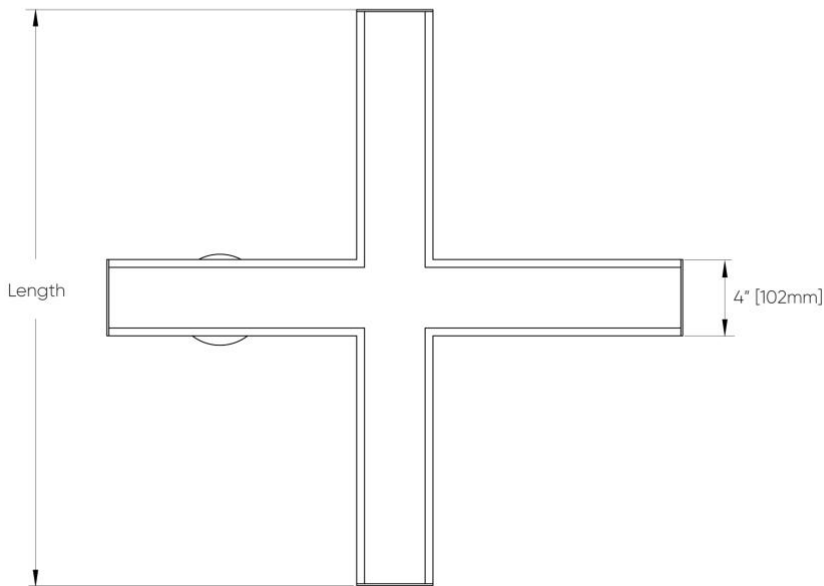


# Macro Cross™ - Dimensional Diagrams



ISO VIEW



Length	Suspension Points
30" [762mm]	4
43" [1092mm]	4
57" [1448mm]	5
71" [1803mm]	5
85" [2159mm]	5

