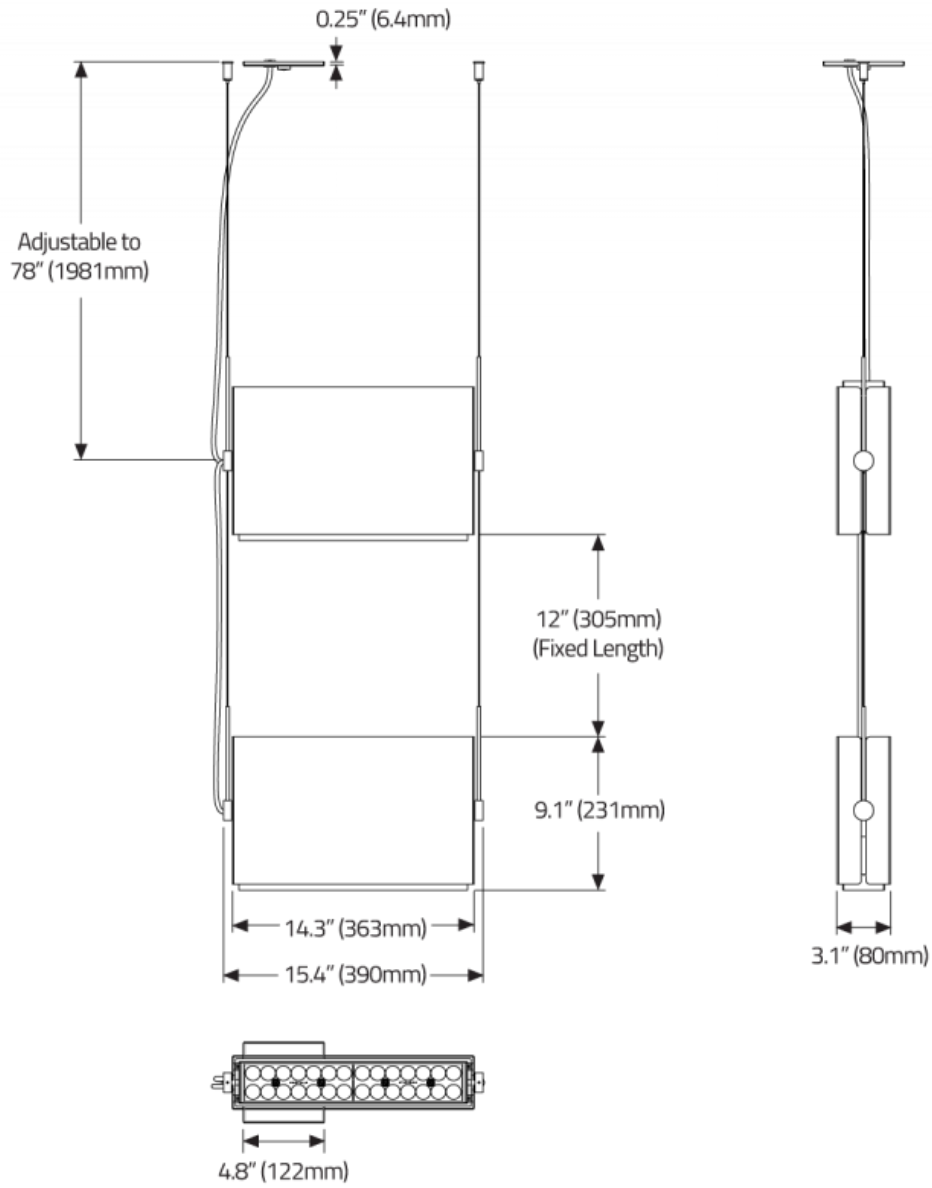


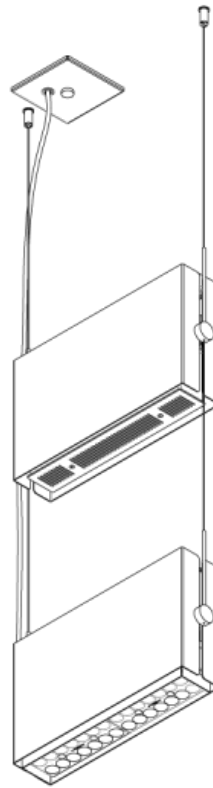
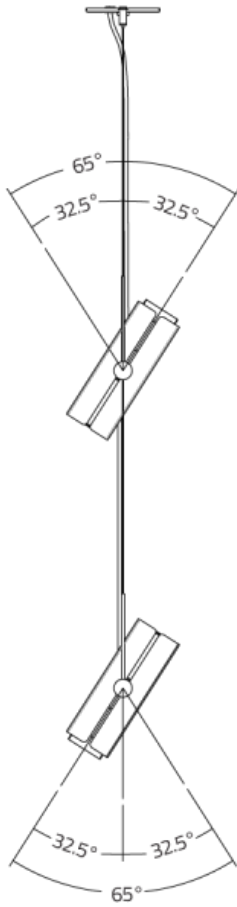
Matrex Dual™ - Dimensional Diagrams

fixture profiles

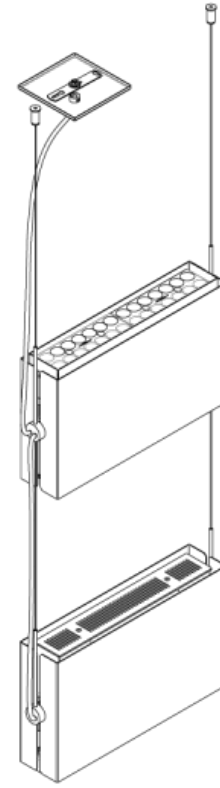


Matrex Dual™ - Dimensional Diagrams

Direct/Indirect



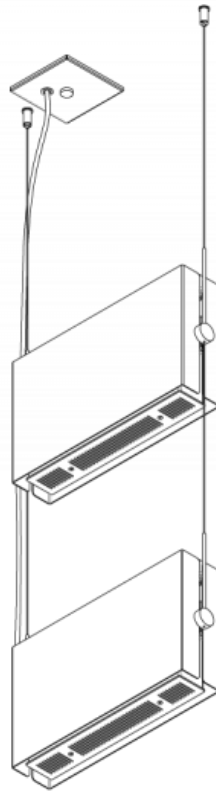
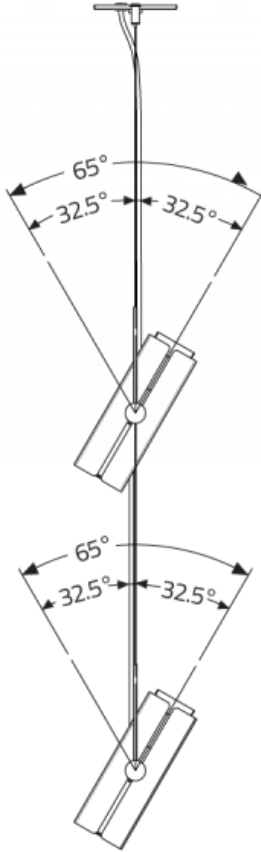
ISOMETRIC BOTTOM VIEW
(STRAIGHT)



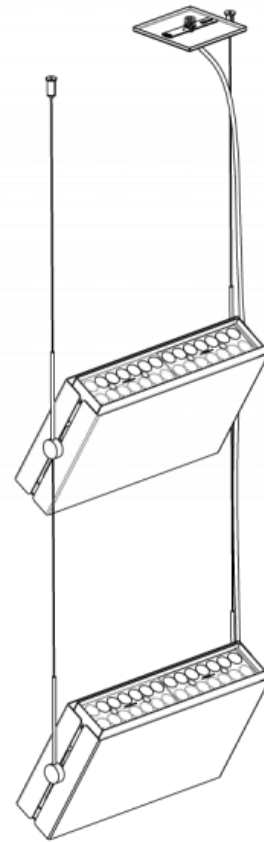
ISOMETRIC TOP VIEW
(STRAIGHT)

Matrex Dual™ - Dimensional Diagrams

DOUBLE UP



ISOMETRIC BOTTOM VIEW
(STRAIGHT)

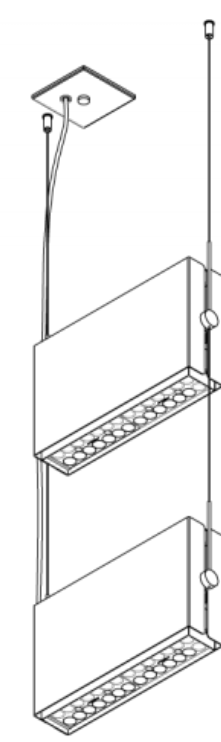
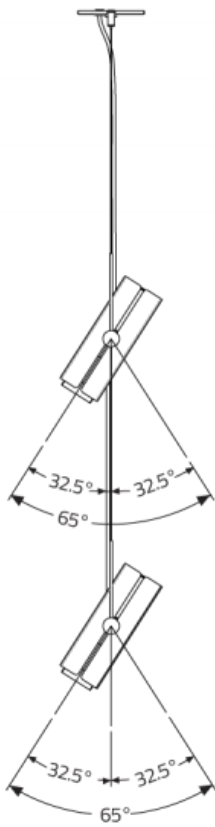


ISOMETRIC VIEW
(ANGLED)

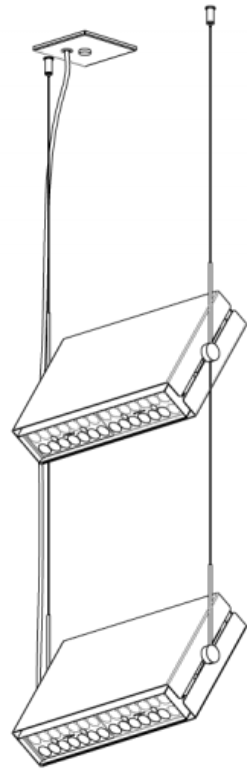


Matrex Dual™ - Dimensional Diagrams

DOUBLE DOWN



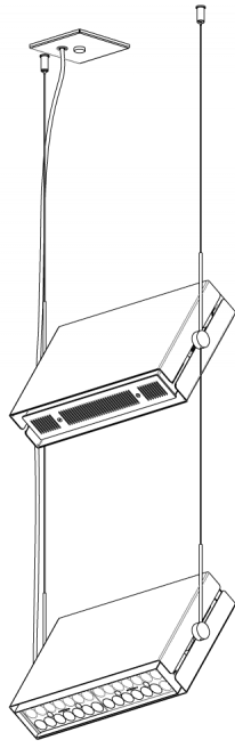
ISOMETRIC BOTTOM VIEW
(STRAIGHT)



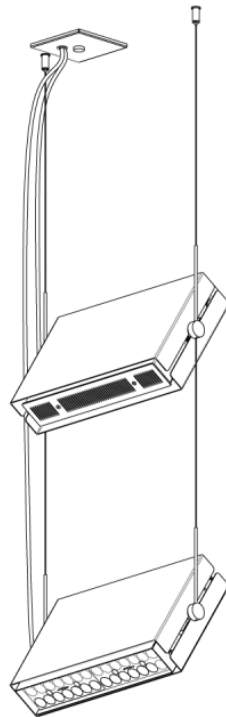
ISOMETRIC VIEW
(ANGLED)

Matrex Dual™ - Dimensional Diagrams

SEPARATE SWITCHING (CS1, CS2)



SINGLE CIRCUIT

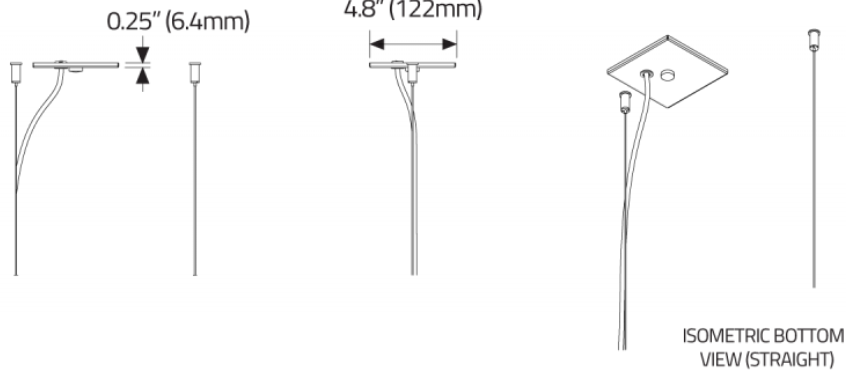


SEPARATE SWITCHING
(Two power cables supplied)

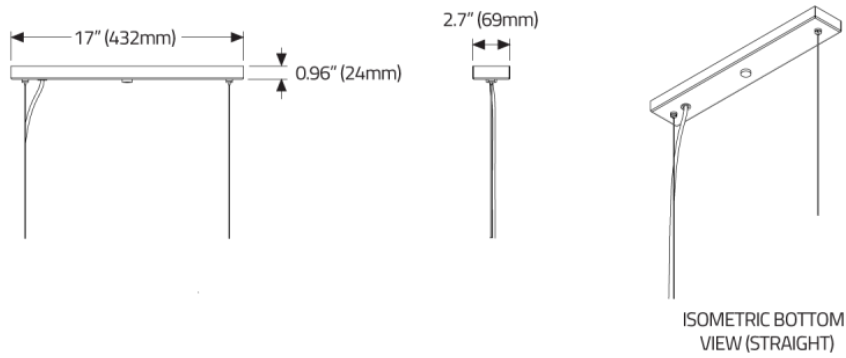
Matrex Dual™ - Dimensional Diagrams

CANOPIES

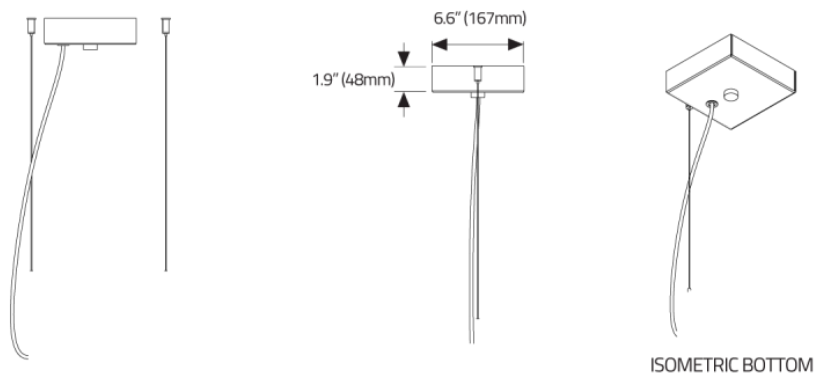
CANOPY A



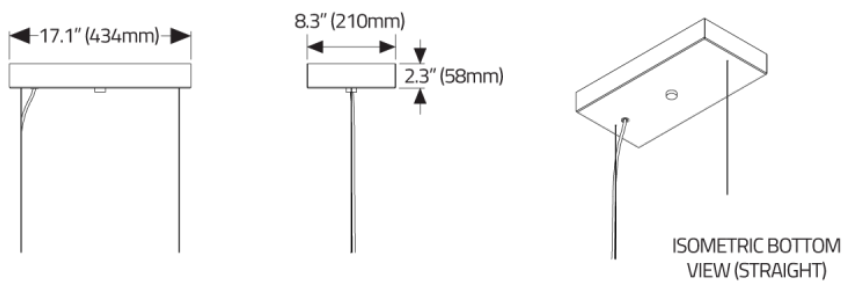
CANOPY B



CANOPY C

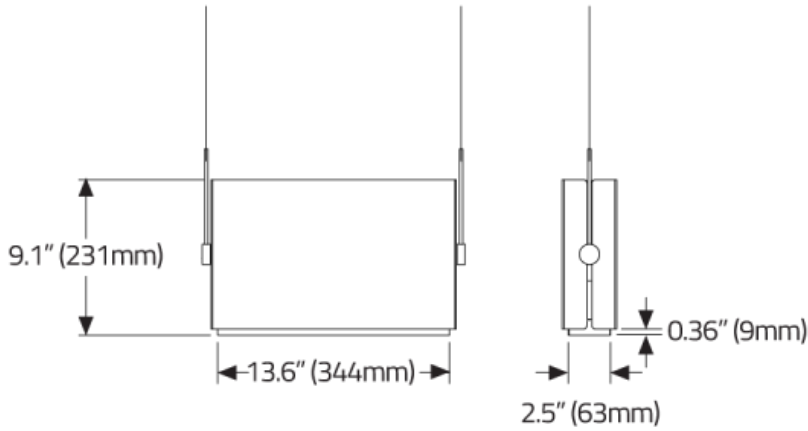


CANOPY D

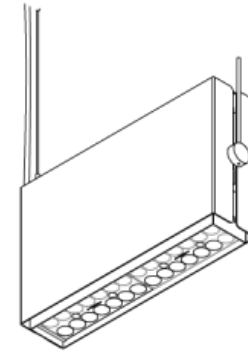


Matrex Dual™ - Dimensional Diagrams

STANDARD SNOOT

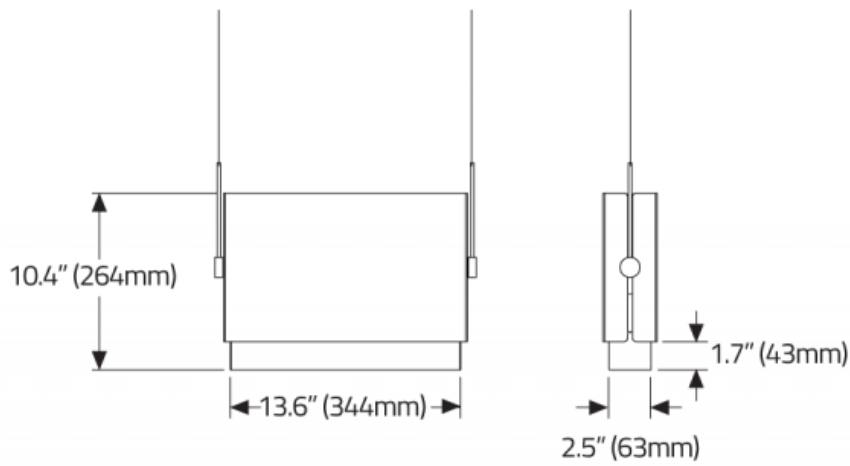


STANDARD SNOOT

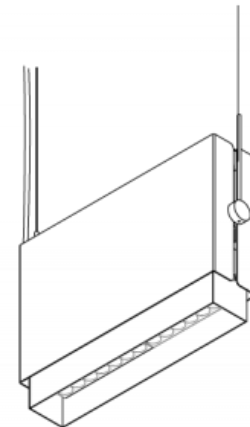


ISOMETRIC BOTTOM VIEW (STANDARD SNOOT)

LONG SNOOT



LONG SNOOT

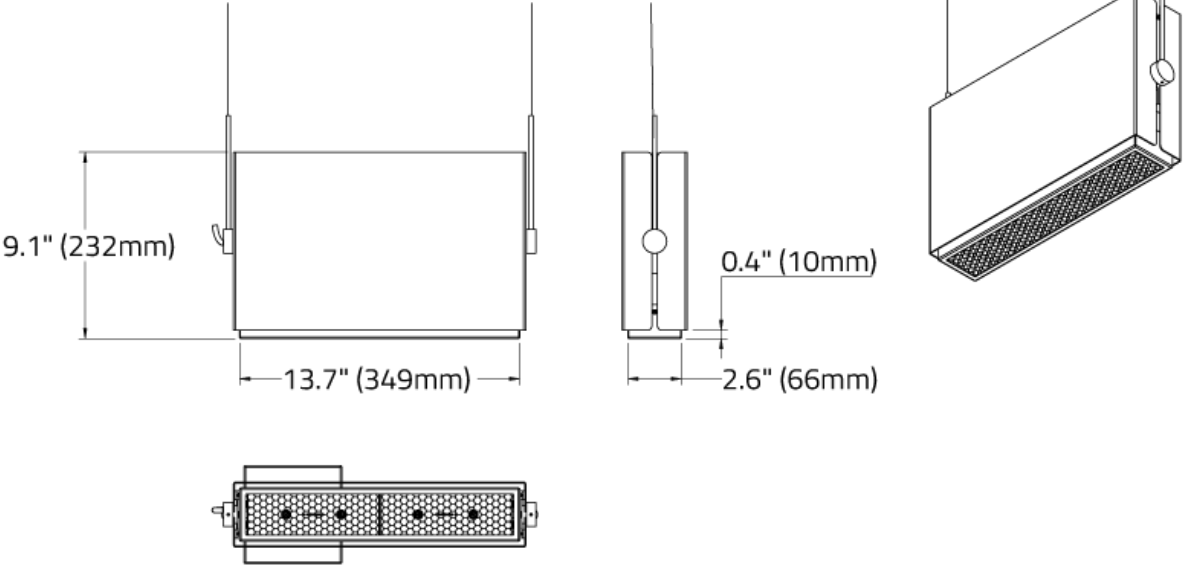


ISOMETRIC BOTTOM VIEW (LONG SNOOT)

Matrex Dual™ - Dimensional Diagrams

LOUVRES

HEX CELL LOUVRE



LADDER LOUVRE

