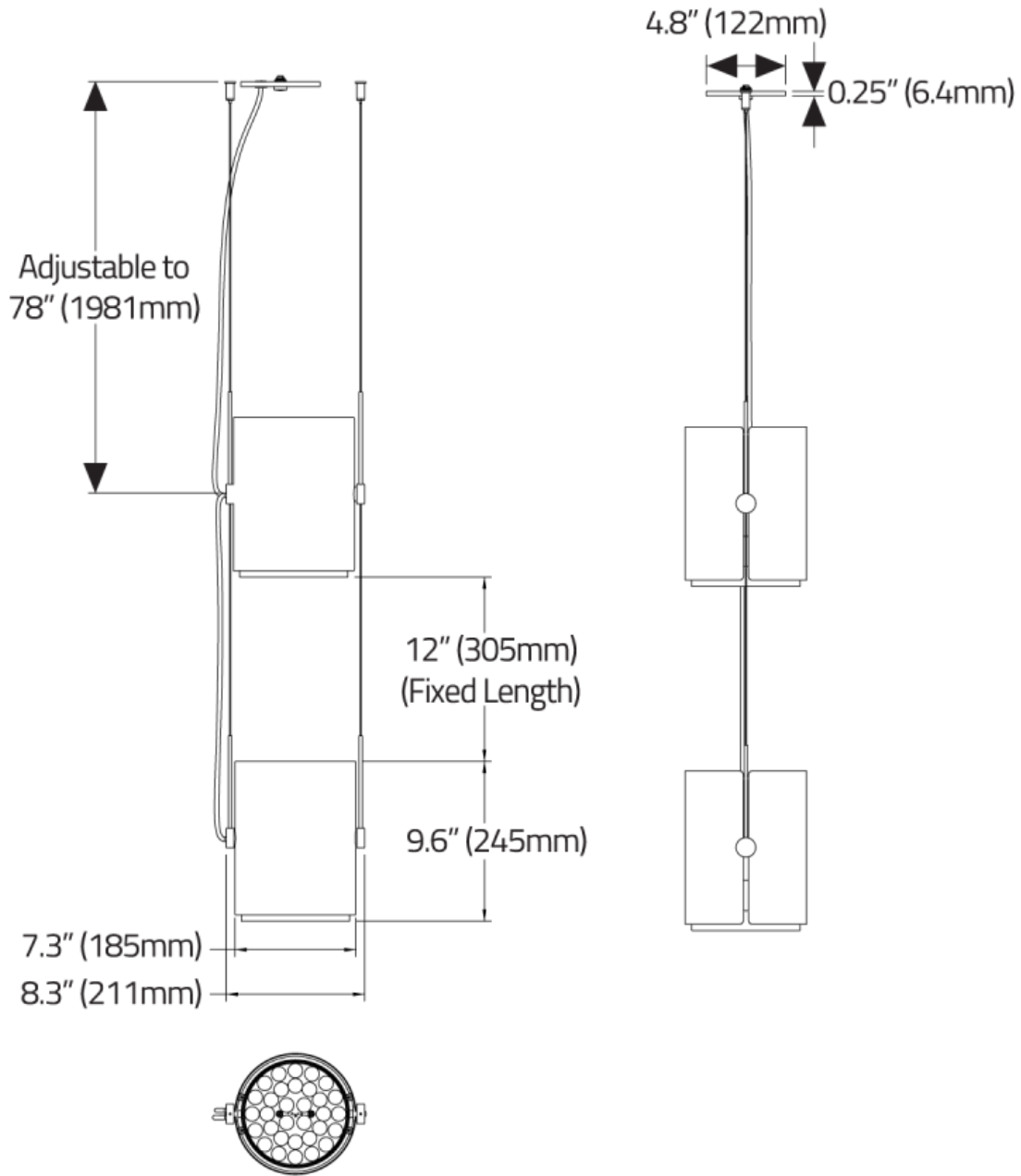


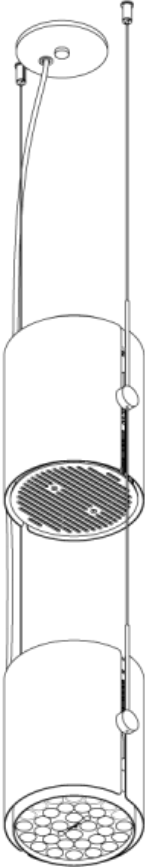
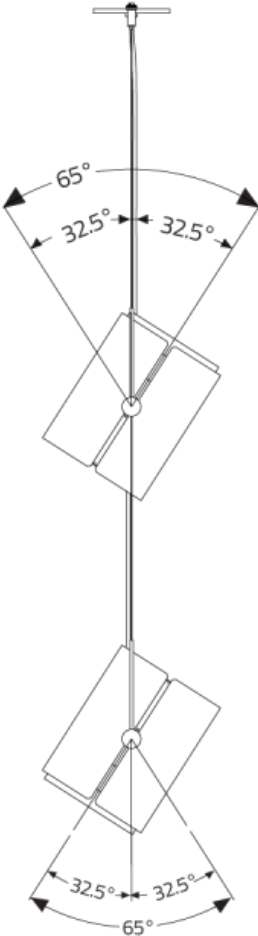
Matrex RD Dual™ - Dimensional Diagrams

FIXTURE PROFILE

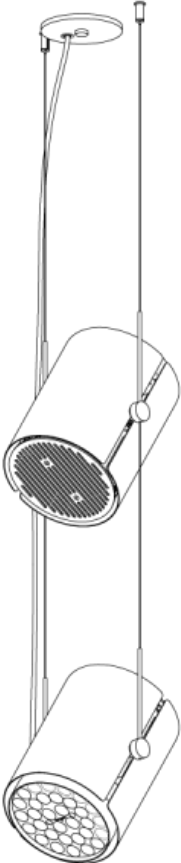


Matrex RD Dual™ - Dimensional Diagrams

DIRECT/INDIRECT



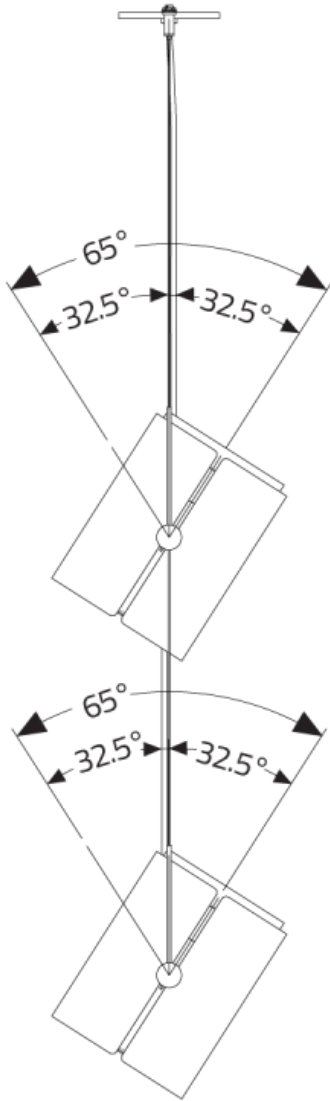
ISOMETRIC BOTTOM VIEW
(STRAIGHT)



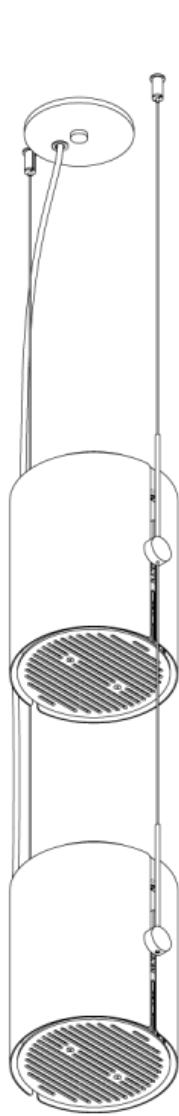
ISOMETRIC VIEW
(ANGLED)

Matrex RD Dual™ - Dimensional Diagrams

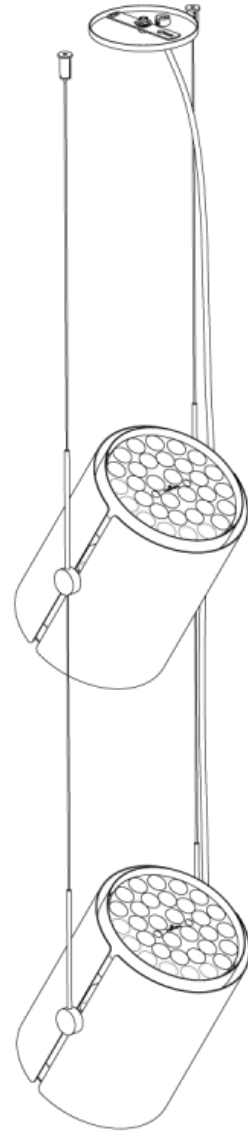
DOUBLE UP



ISOMETRIC BOTTOM VIEW
(STRAIGHT)

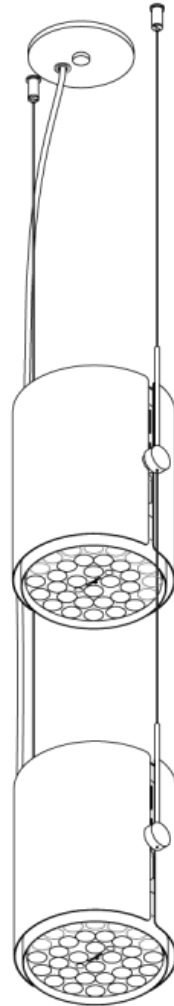
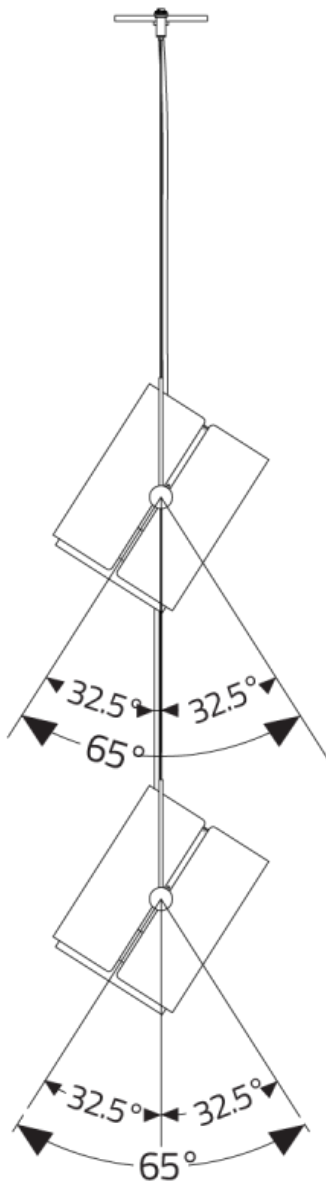


ISOMETRIC VIEW
(ANGLED)

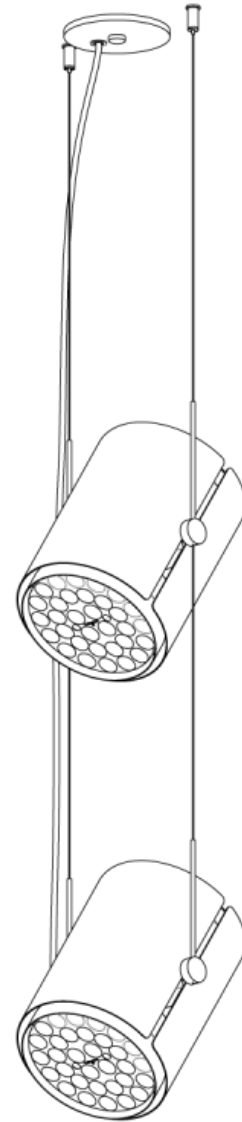


Matrex RD Dual™ - Dimensional Diagrams

DOUBLE DOWN



ISOMETRIC BOTTOM VIEW
(STRAIGHT)

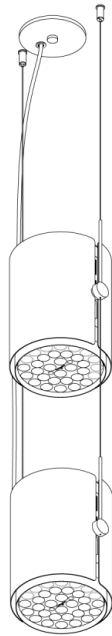


ISOMETRIC VIEW
(ANGLED)

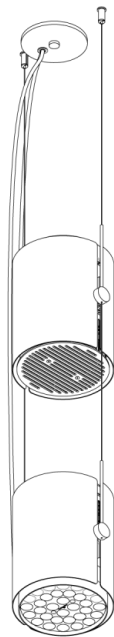


Matrex RD Dual™ - Dimensional Diagrams

SEPARATE SWITCHING (CS1, CS2)



SINGLE SWITCHING



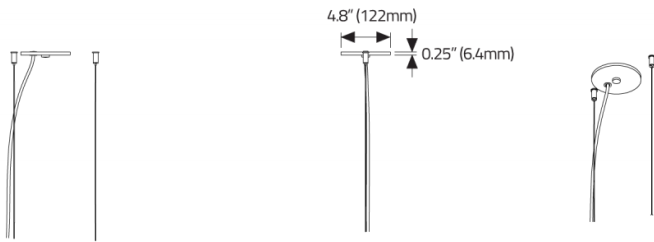
SEPARATE SWITCHING
(Two power cables supplied)



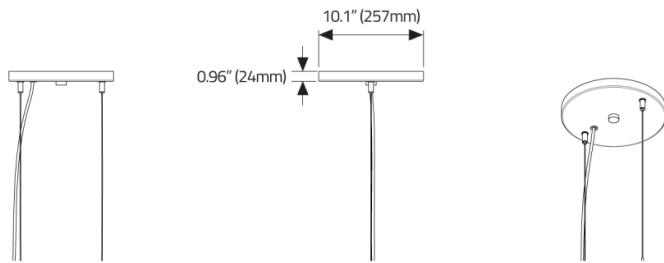
Matrex RD Dual™ - Dimensional Diagrams

CANOPIES

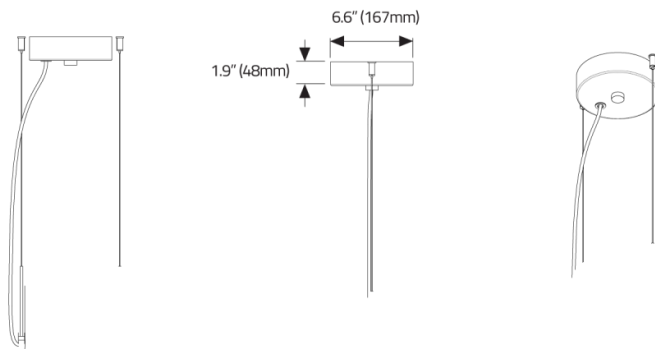
CANOPY A



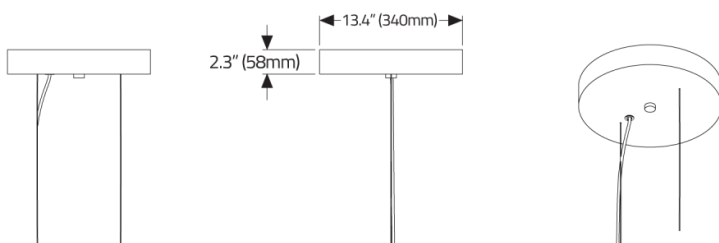
CANOPY B



CANOPY C

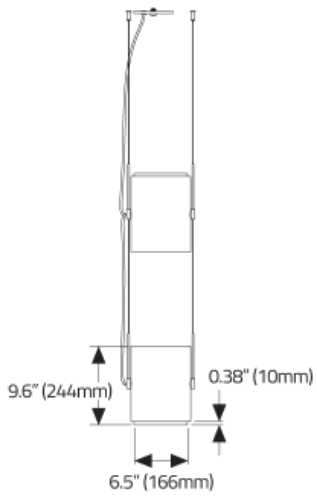


CANOPY D

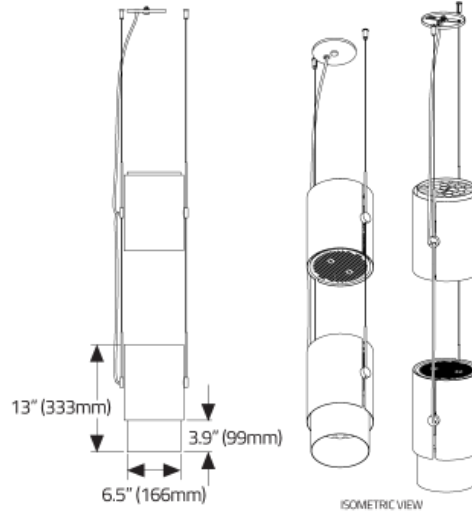


Matrex RD Dual™ - Dimensional Diagrams

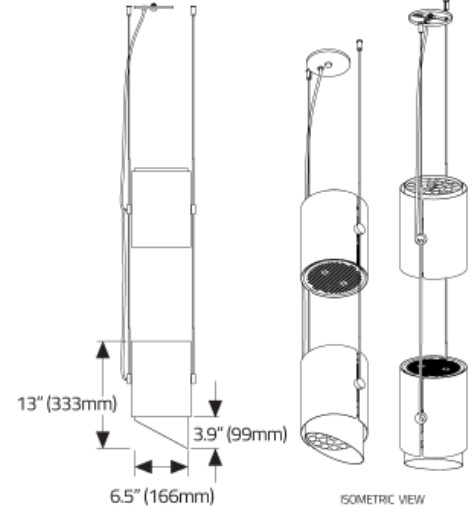
SNOOTS



STANDARD SNOOT



LONG SNOOT

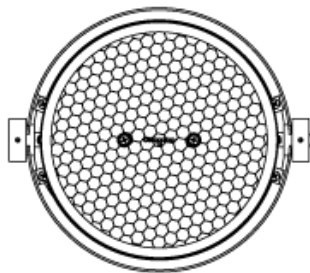
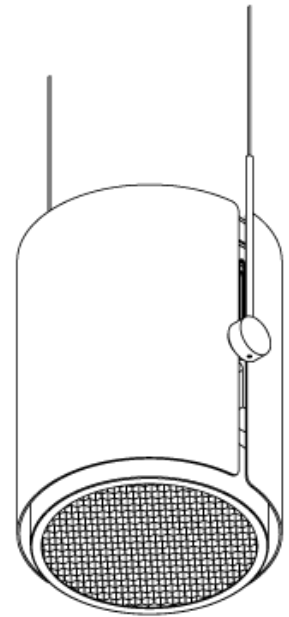
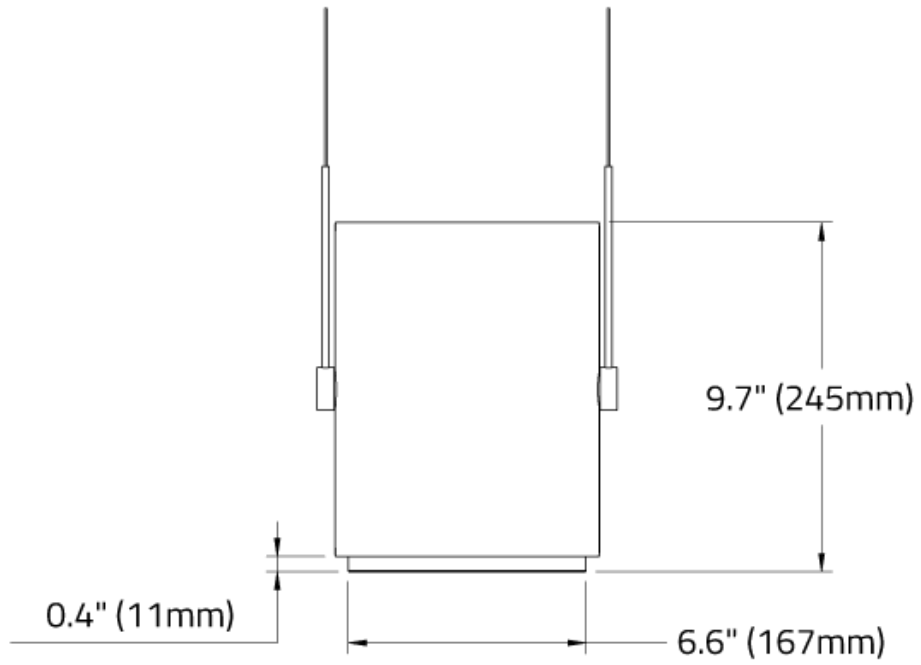


HALF SNOOT

Matrex RD Dual™ - Dimensional Diagrams

LOUVRE

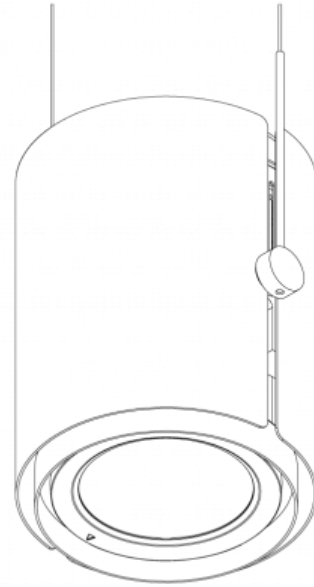
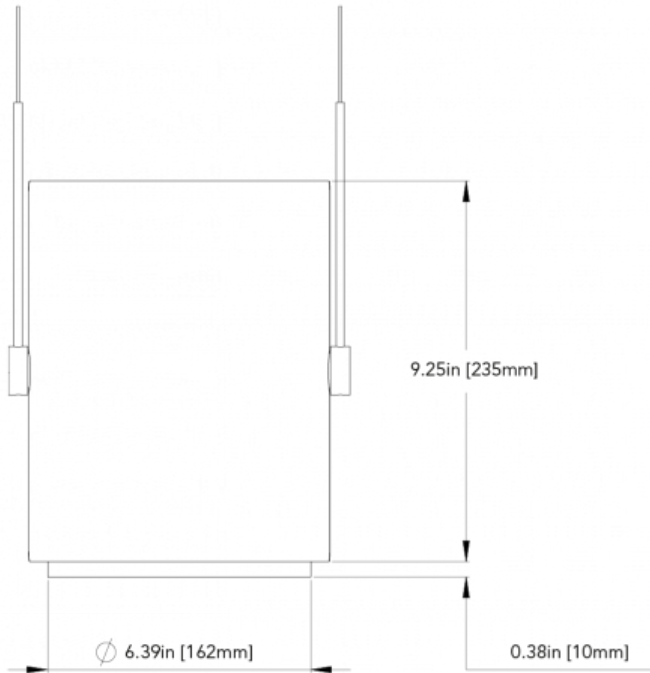
HEX CELL LOUVRE



Matrex RD Dual™ - Dimensional Diagrams

Matrex Round PD - COB

Matrex RD PD - COB



Isometric View

