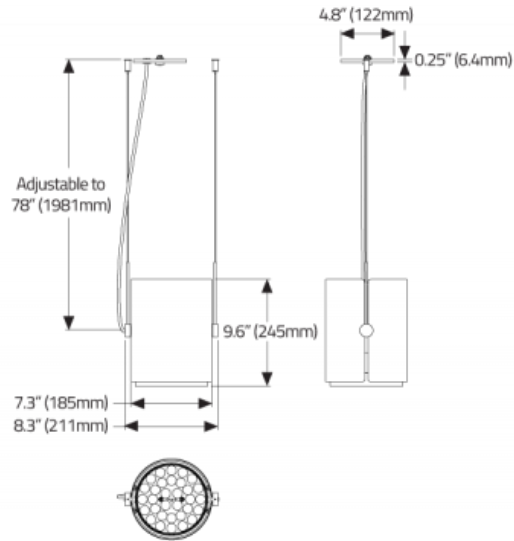


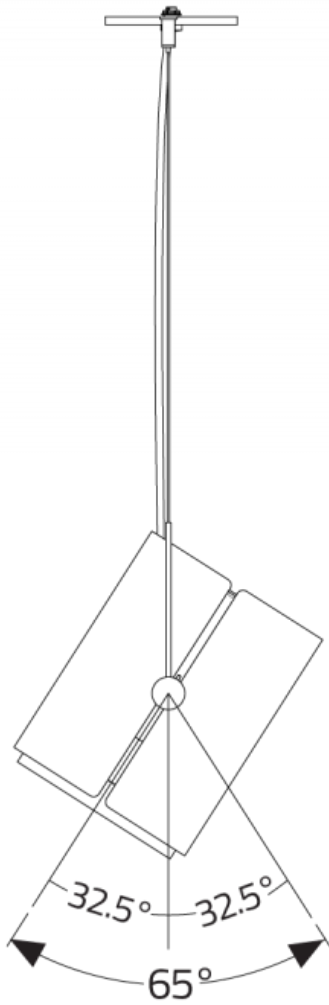
Matrex RD Single™ - Dimensional Diagrams

FIXTURE PROFILE

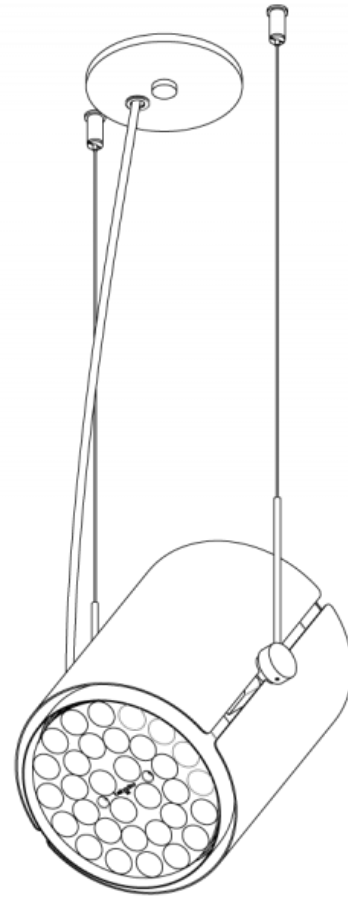
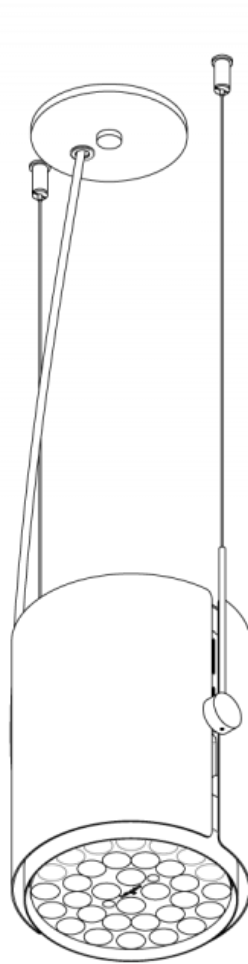


Matrex RD Single™ - Dimensional Diagrams

DIRECT



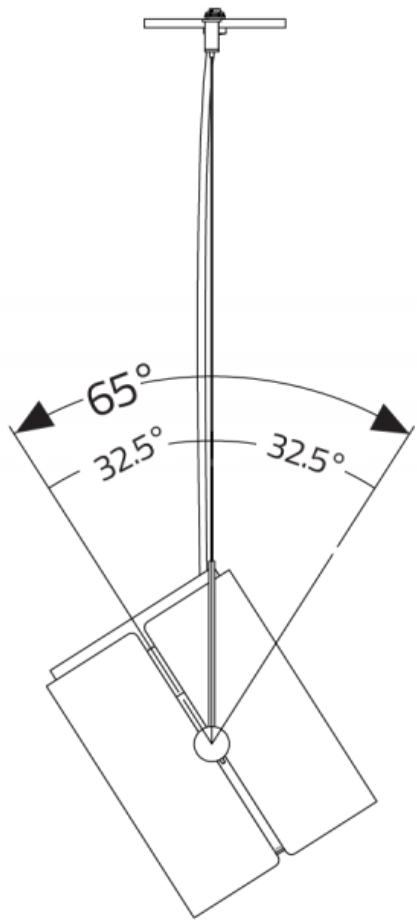
ISOMETRIC BOTTOM VIEW
(STRAIGHT)



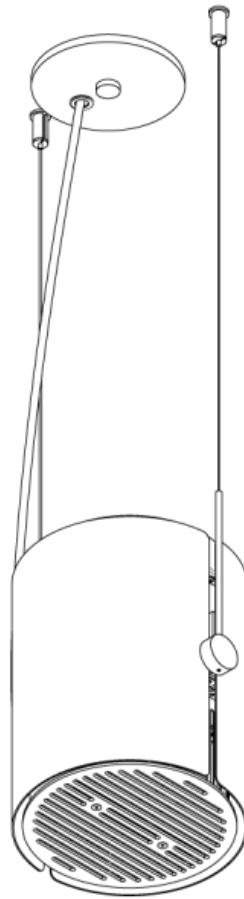
ISOMETRIC VIEW
(ANGLED)

Matrex RD Single™ - Dimensional Diagrams

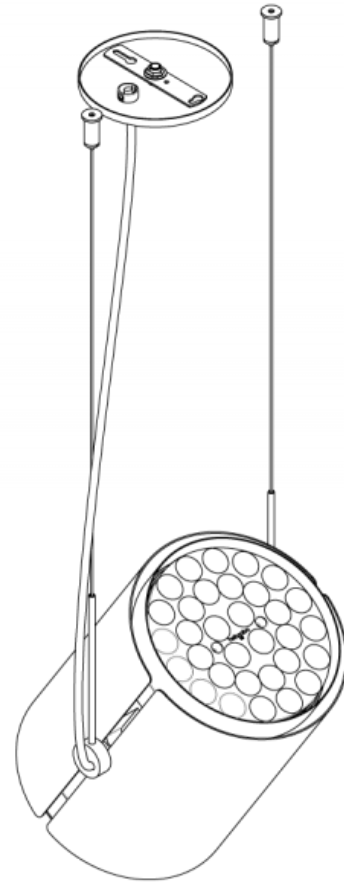
INDIRECT



ISOMETRIC BOTTOM VIEW
(STRAIGHT)



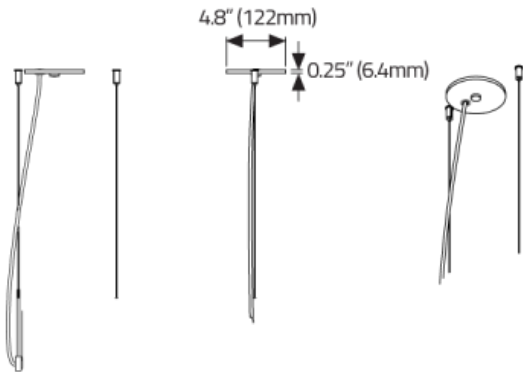
ISOMETRIC VIEW
(ANGLED)



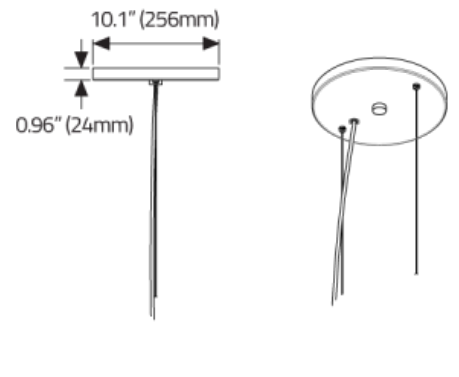
Matrex RD Single™ - Dimensional Diagrams

CANOPIES

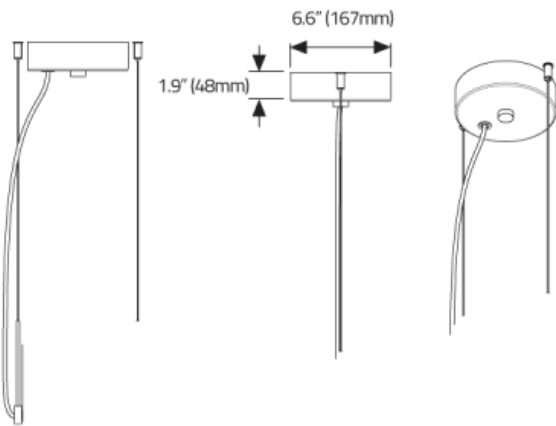
CANOPIE A



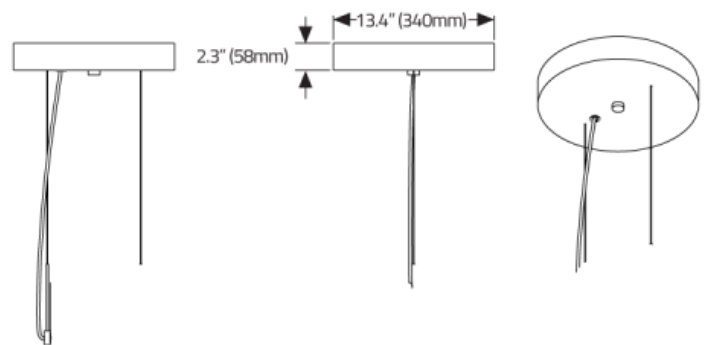
CANOPIE B



CANOPIE C

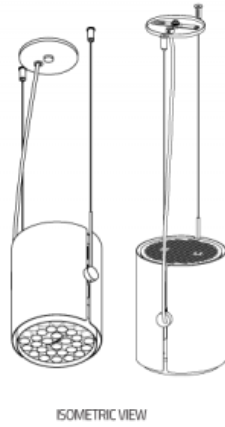
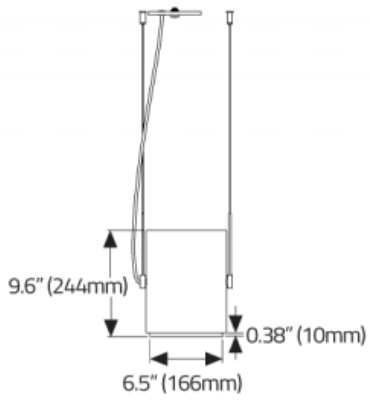


CANOPIE D

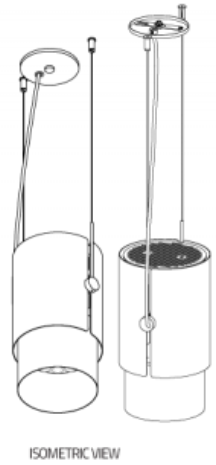
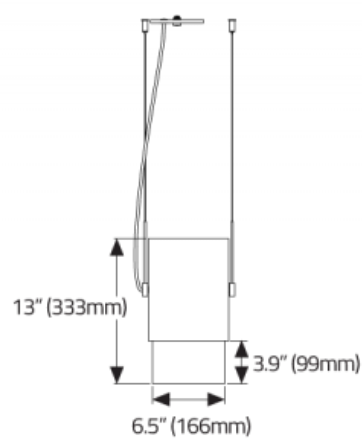


Matrex RD Single™ - Dimensional Diagrams

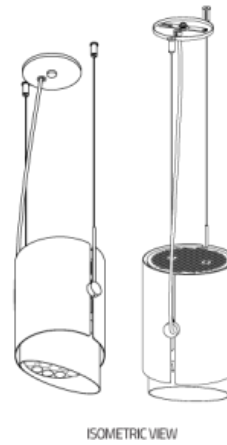
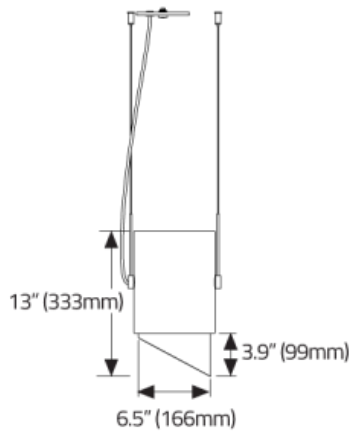
SNOOTS



STANDARD SNOOT



LONG SNOOT

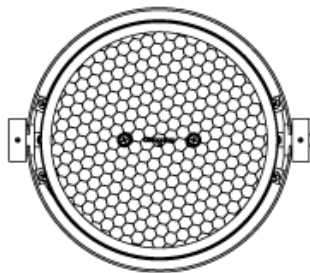
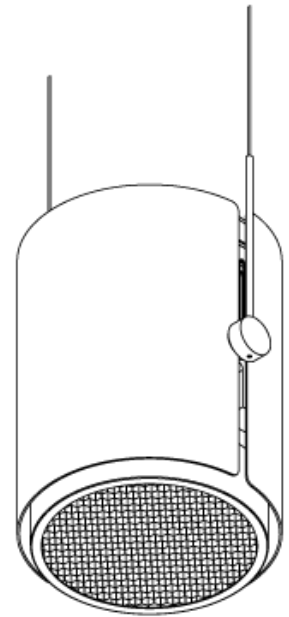
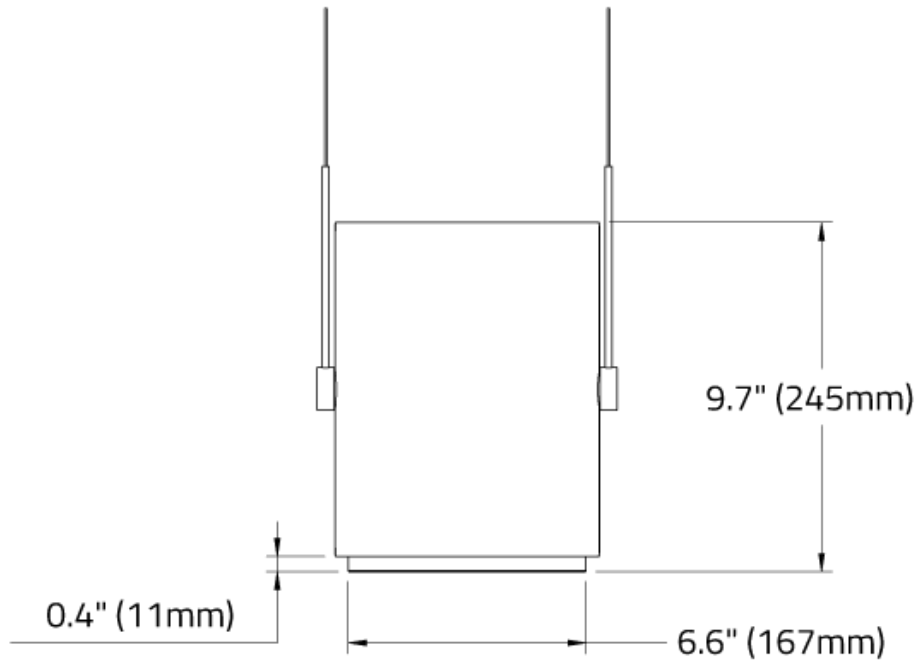


HALF SNOOT

Matrex RD Single™ - Dimensional Diagrams

LOUVRE

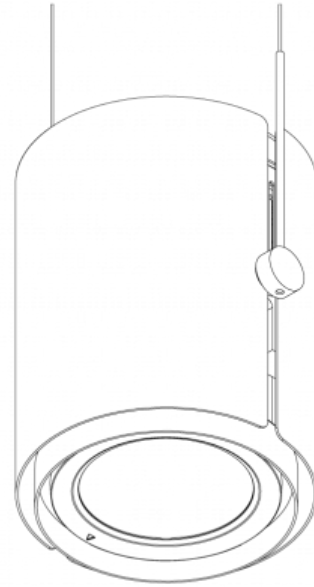
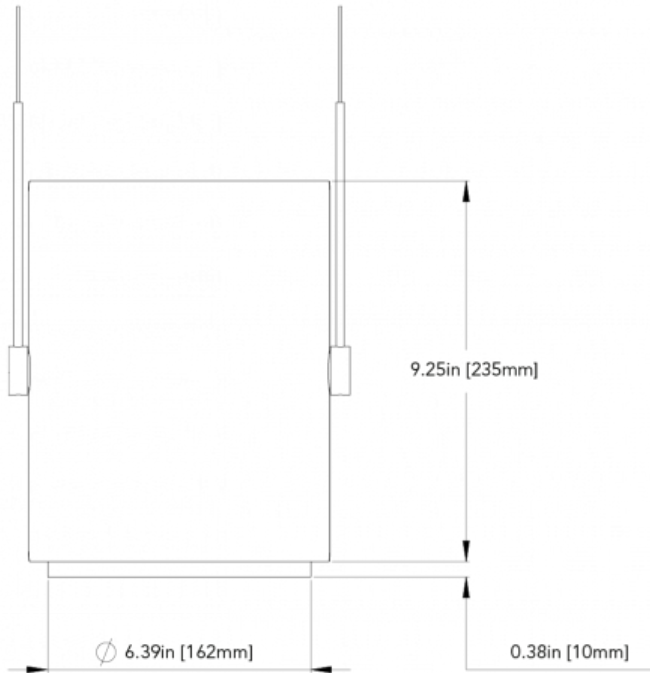
HEX CELL LOUVRE



Matrex RD Single™ - Dimensional Diagrams

Matrex Round PD - COB

Matrex RD PD - COB



Isometric View

