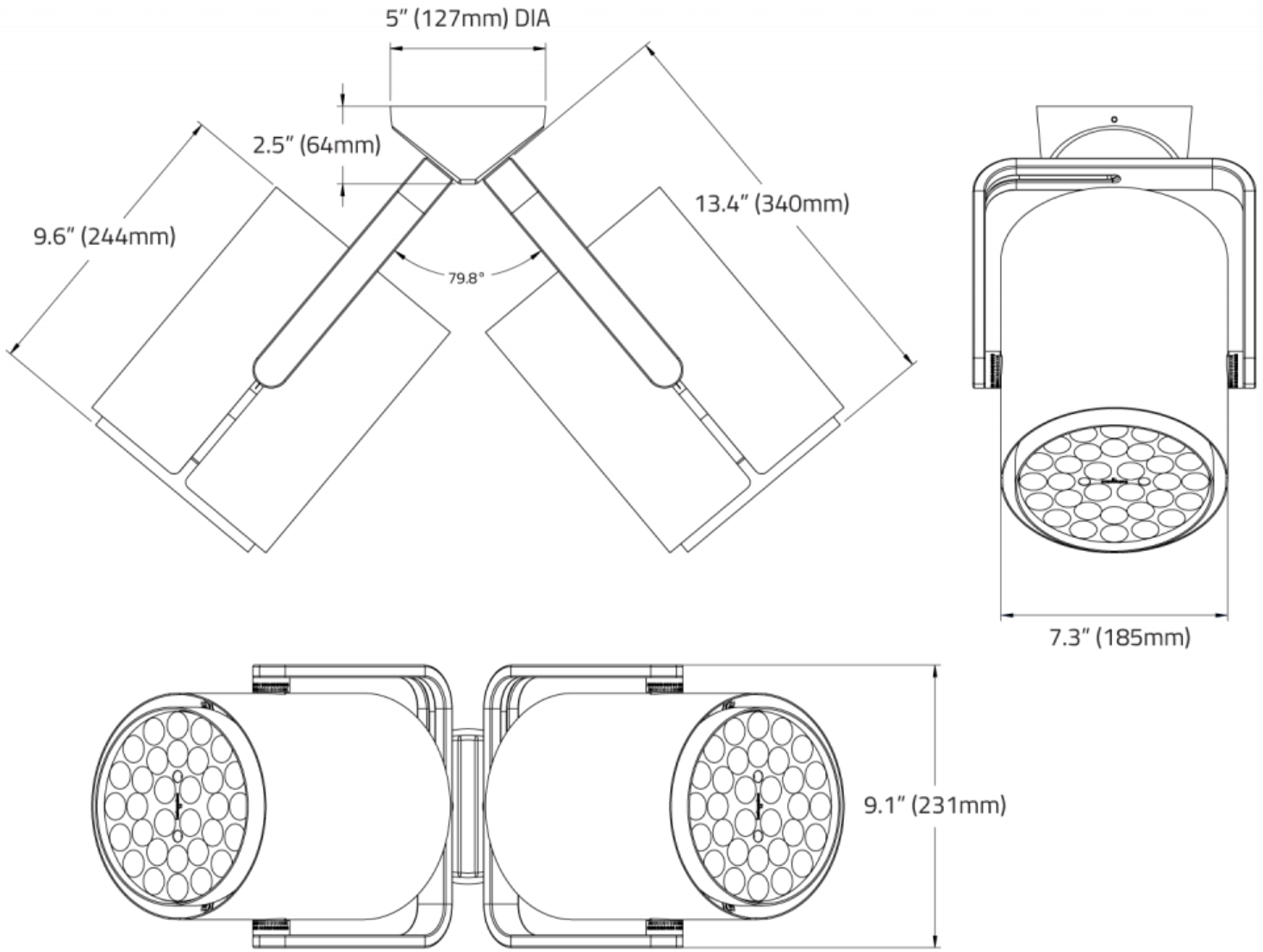
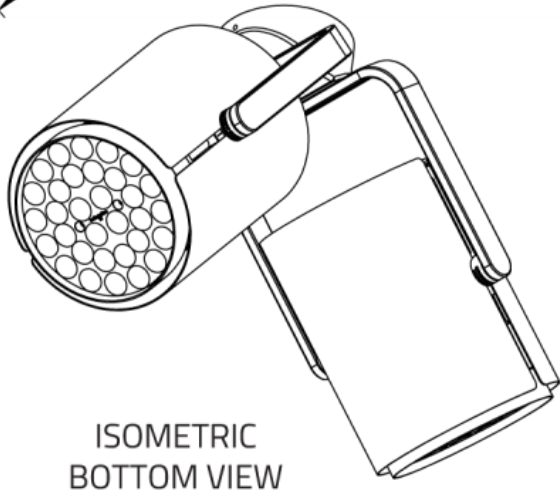
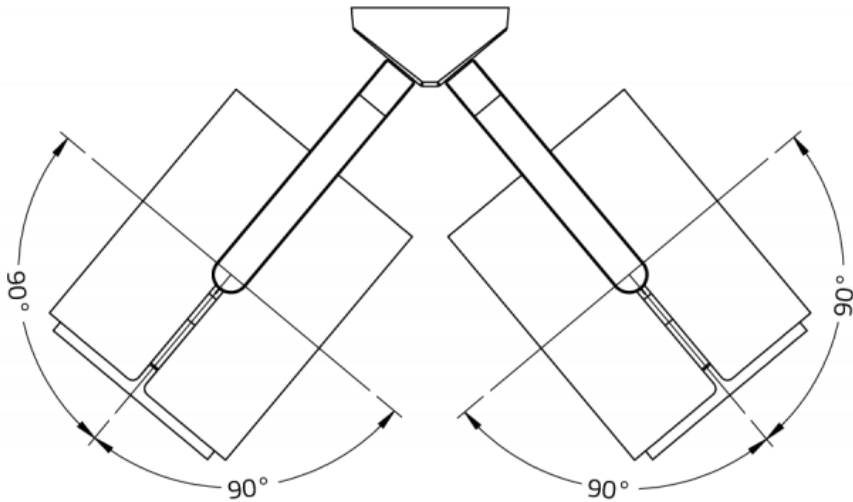


Matrex RD Dual™ - Dimensional Diagrams

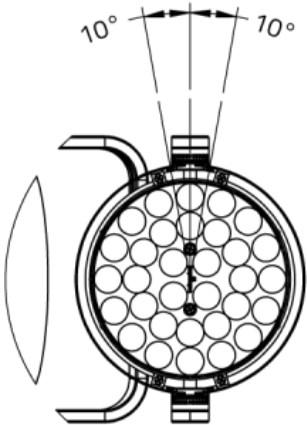


Matrex RD Dual™ - Dimensional Diagrams

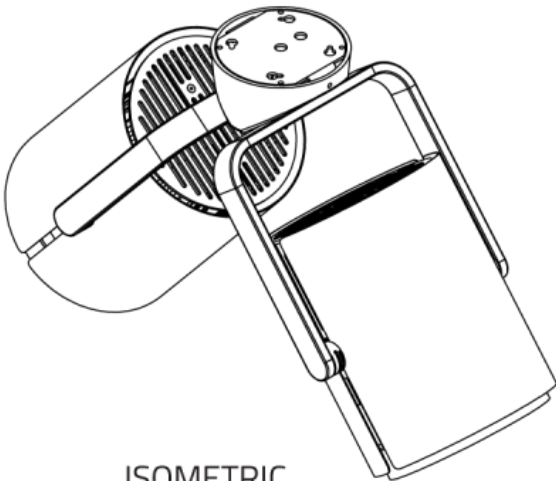


ROTATING YOKE

ISOMETRIC
BOTTOM VIEW

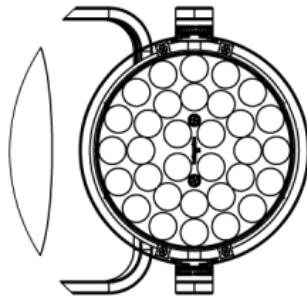


VIEW M=NORMAL TO YOKE



ISOMETRIC
TOP VIEW

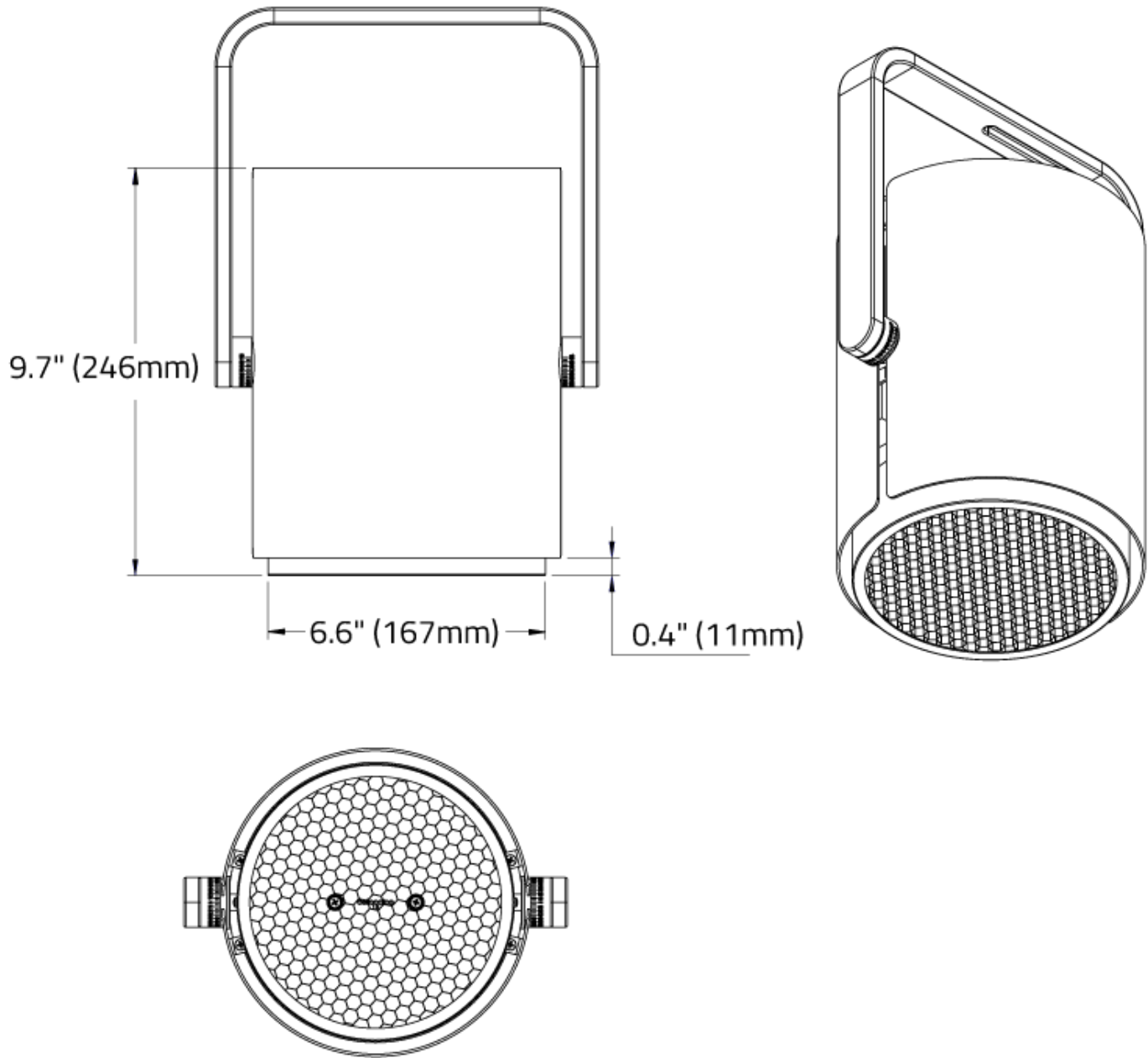
FIXED YOKE



VIEW NORMAL TO YOKE

LOUVRE

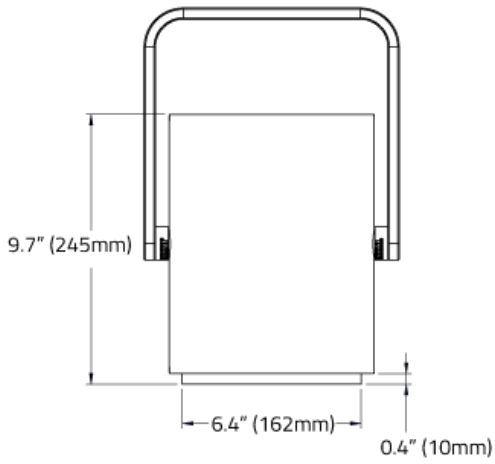
HEX CELL LOUVRE



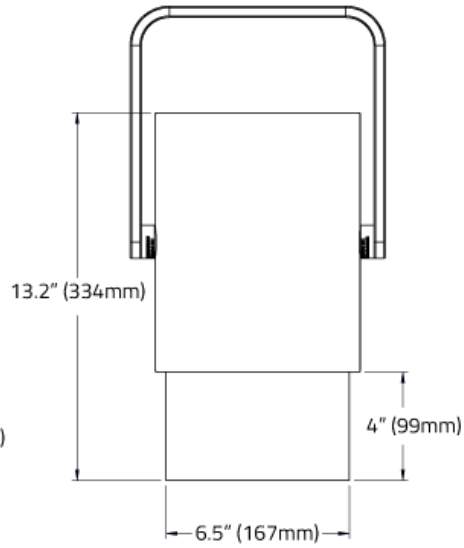
Matrex RD Dual™ - Dimensional Diagrams

SNOOTS

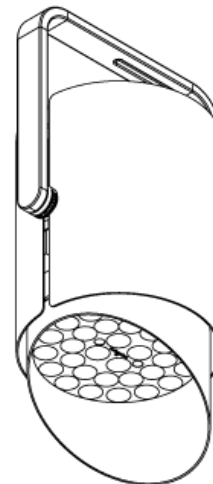
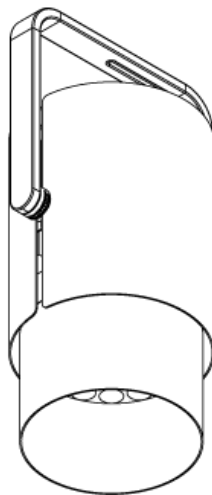
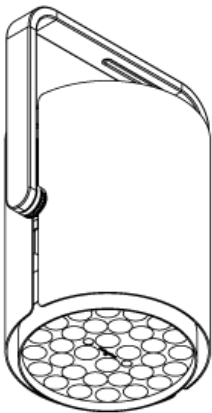
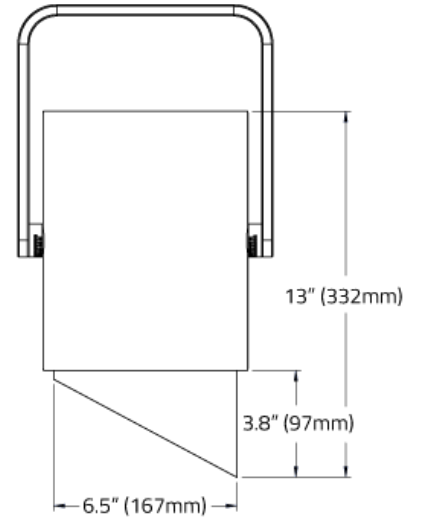
STANDARD SNOOT



LONG SNOOT



HALF SNOOT



Matrex RD Dual™ - Dimensional Diagrams

Matrex Round Dual Surface - COB

Matrex RD Dual Surface- COB

