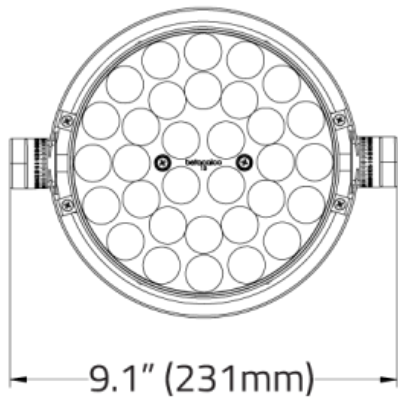
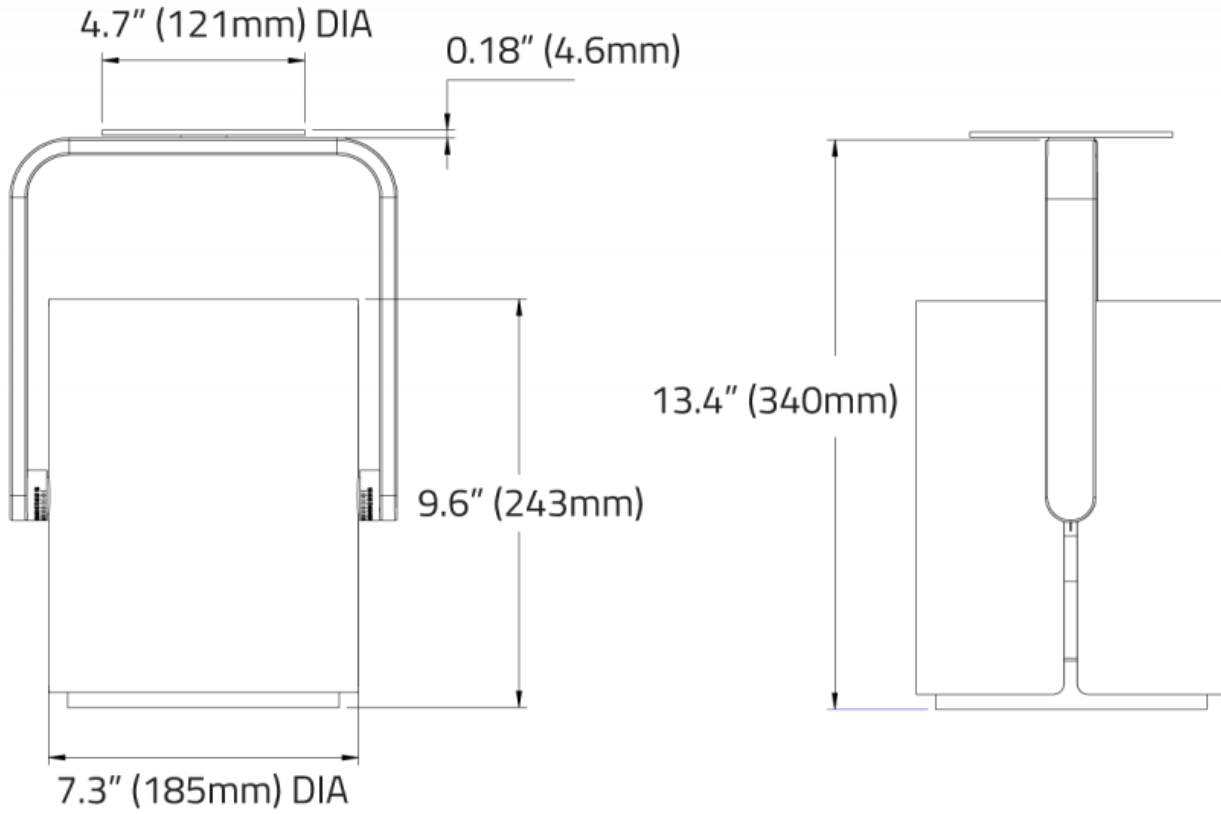
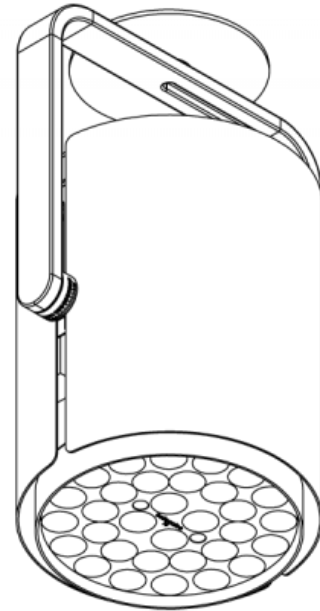
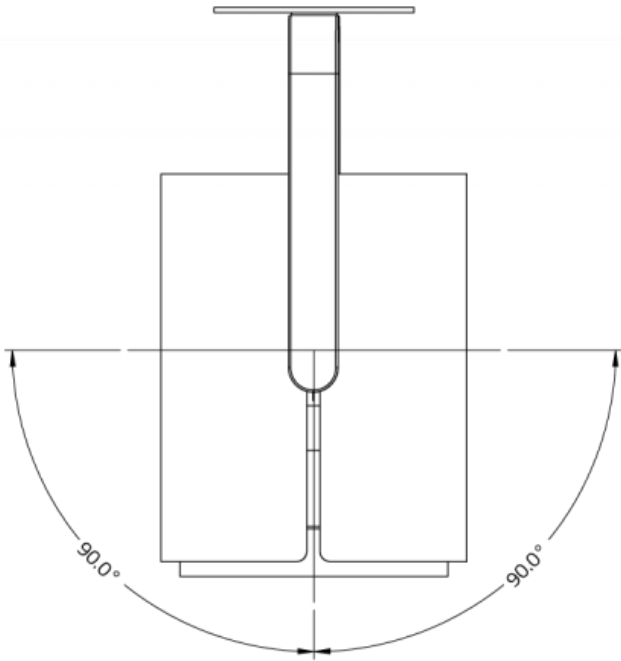


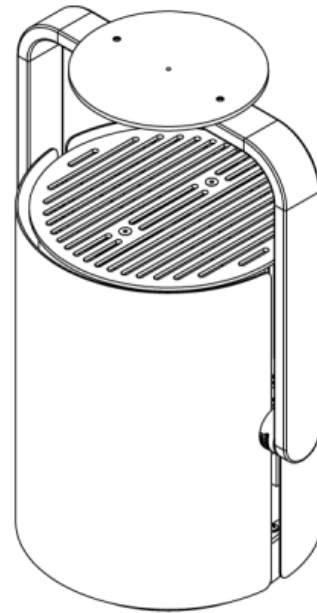
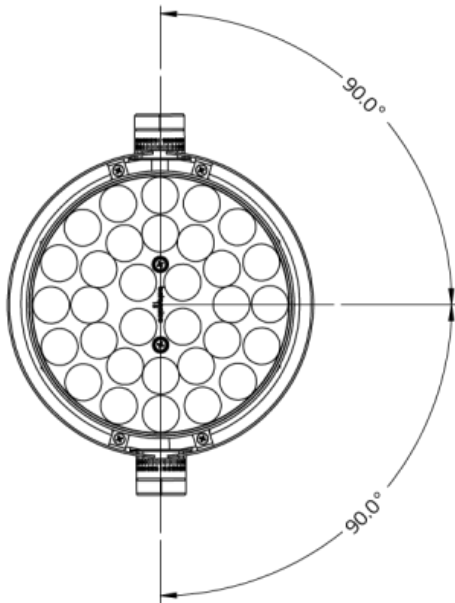
# Matrex RD Single™ - Dimensional Diagrams



# Matrex RD Single™ - Dimensional Diagrams



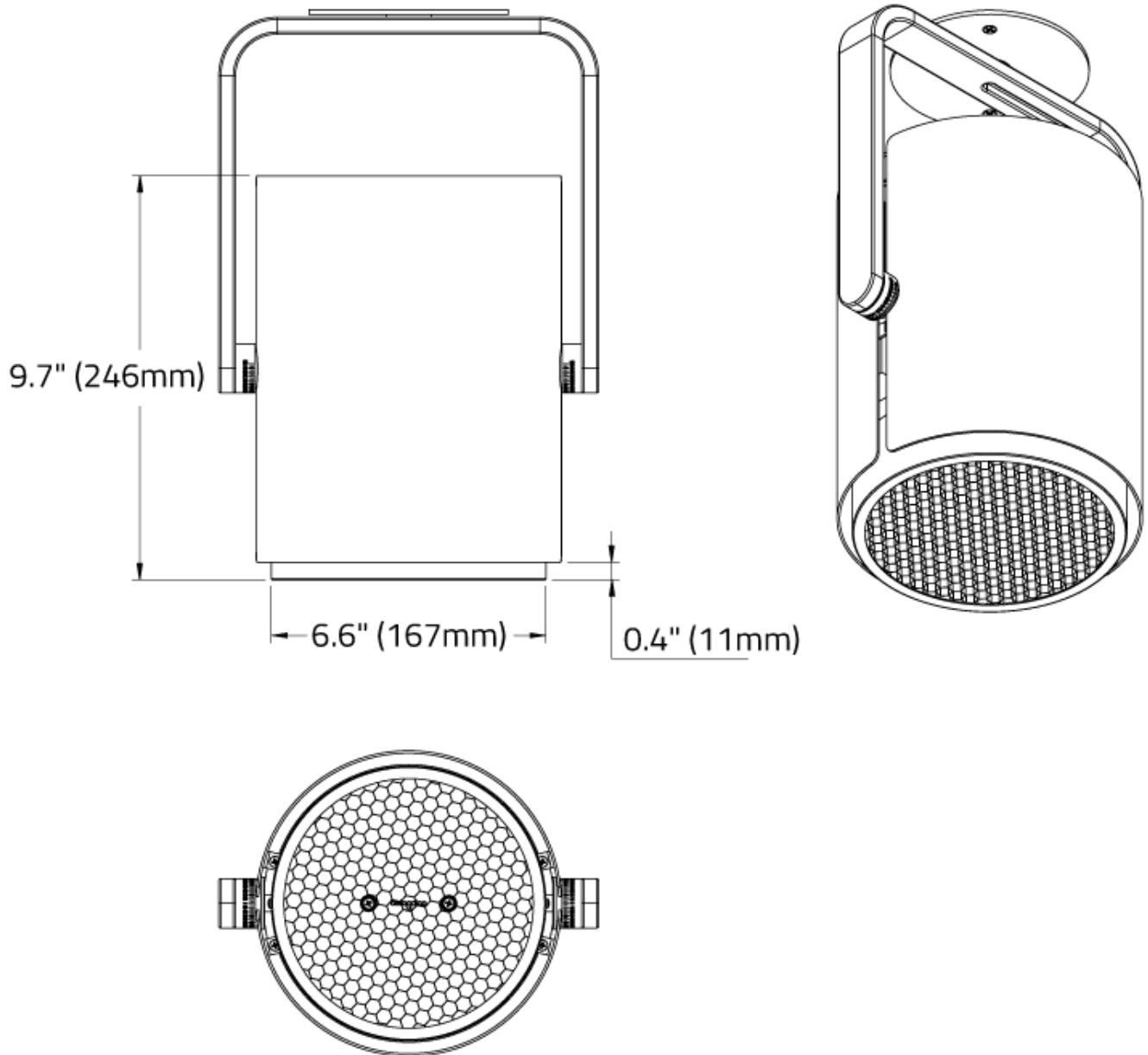
ISOMETRIC  
BOTTOM VIEW



ISOMETRIC  
TOP VIEW

LOUVRE

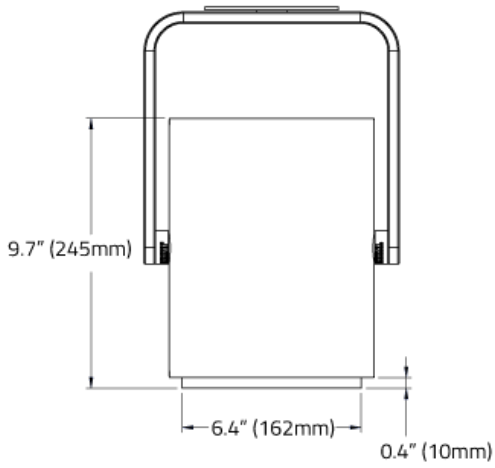
### HEX CELL LOUVRE



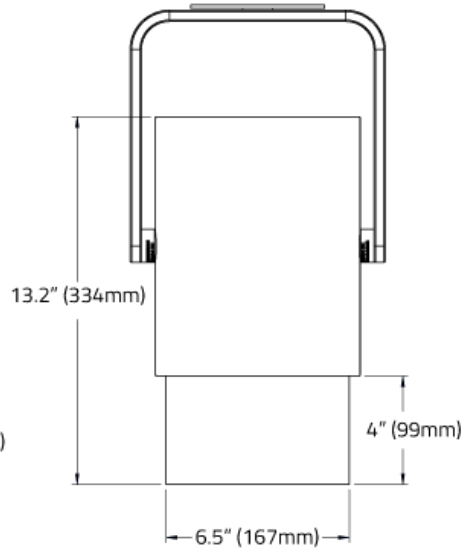
# Matrex RD Single™ - Dimensional Diagrams

## SNOOTS

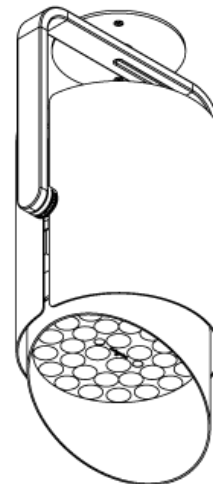
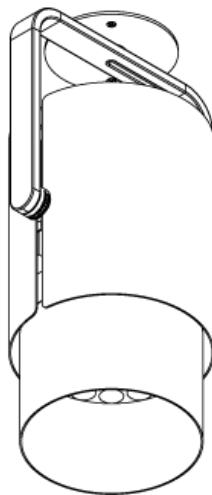
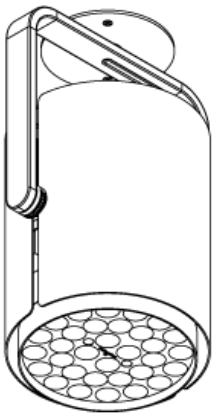
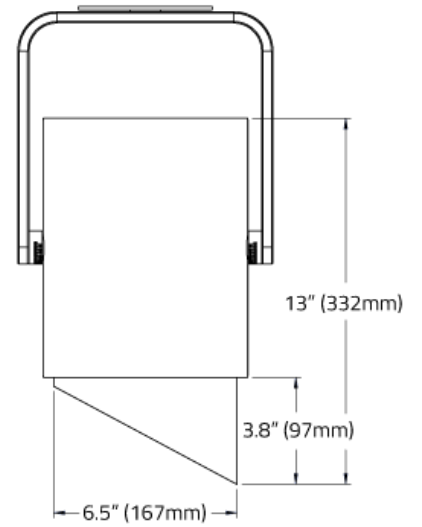
### STANDARD SNOOT



### LONG SNOOT



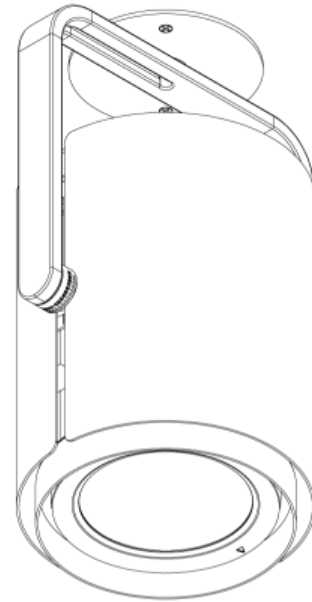
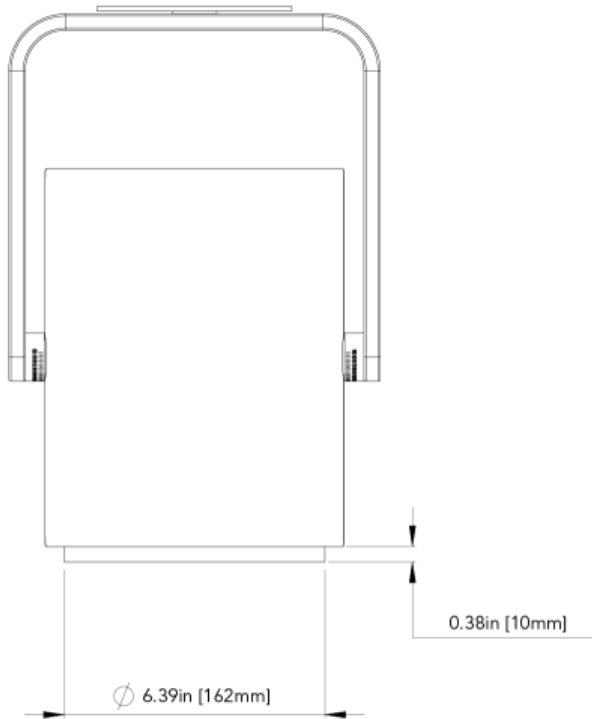
### HALF SNOOT



# Matrex RD Single™ - Dimensional Diagrams

Matrex Round Surface - COB

## Matrex RD Single - COB



Isometric View

