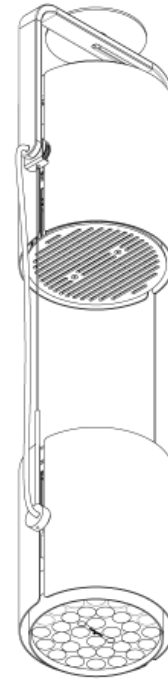
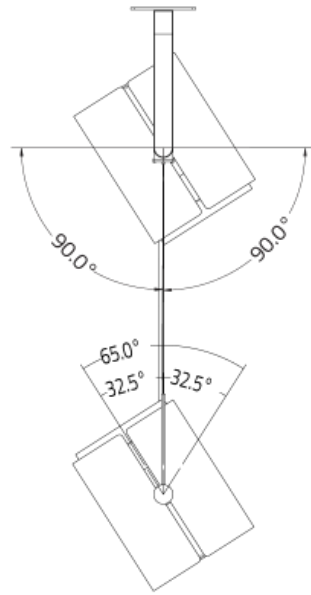
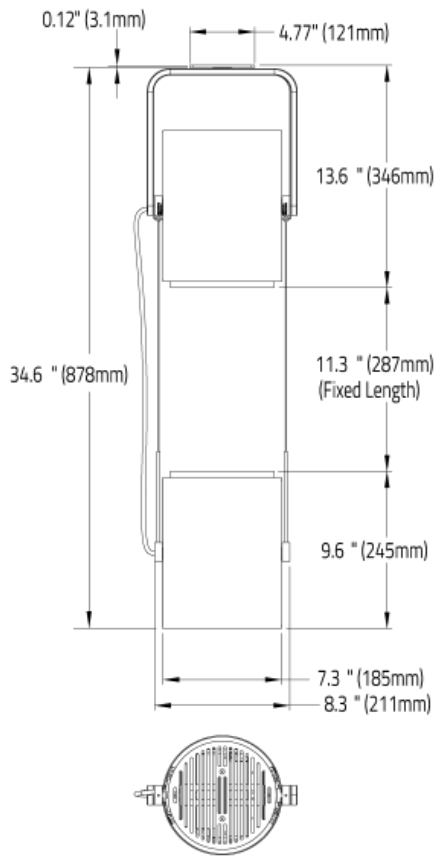
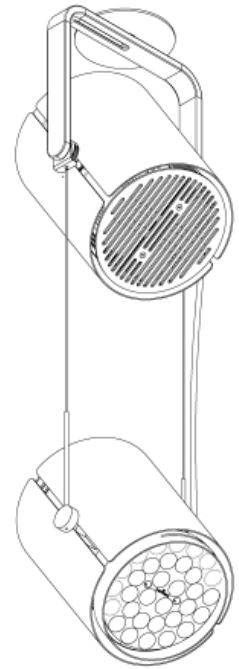


# Matrex RD Dual Twist™ - Dimensional Diagrams

Direct/Indirect



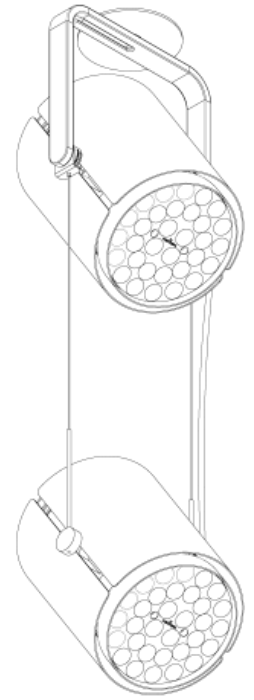
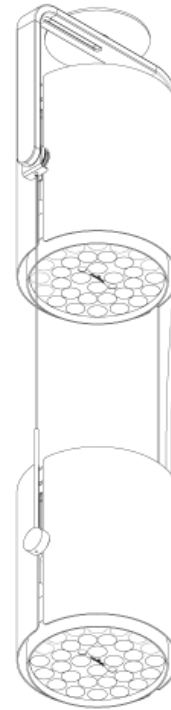
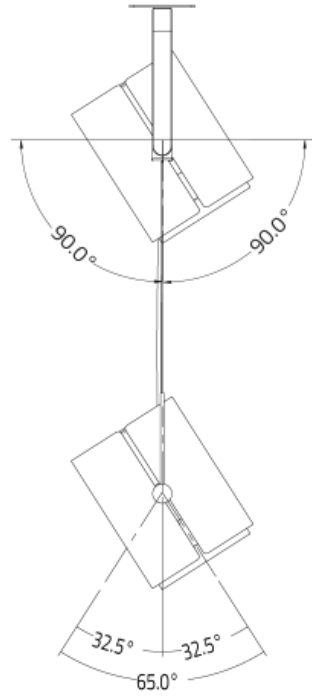
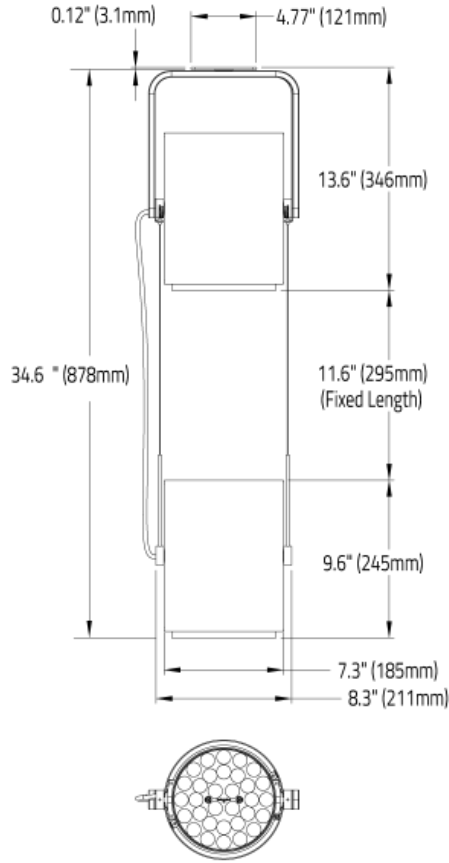
ISOMETRIC BOTTOM VIEW  
STRAIGHT



ISOMETRIC VIEW  
ANGLED

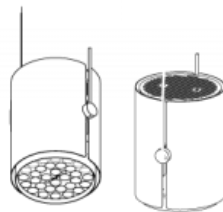
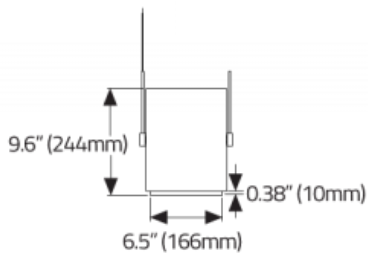
# Matrex RD Dual Twist™ - Dimensional Diagrams

## Double Down

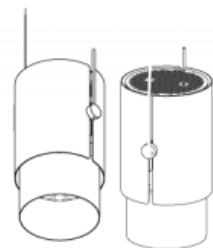
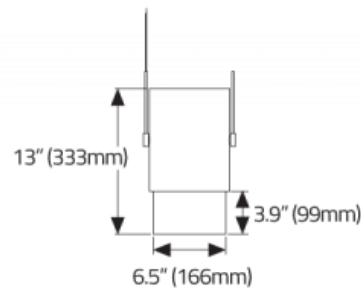


## Snoots

### STANDARD SNOOT



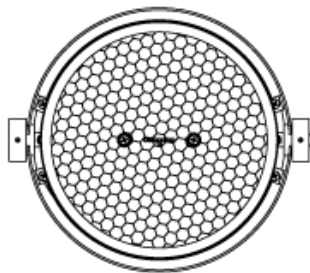
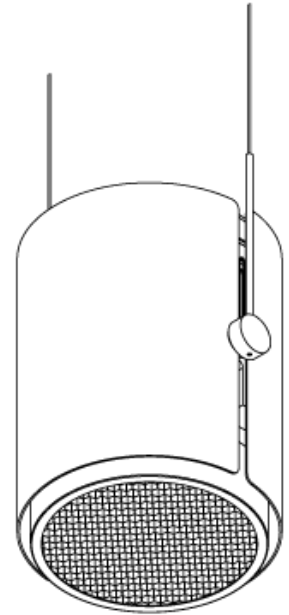
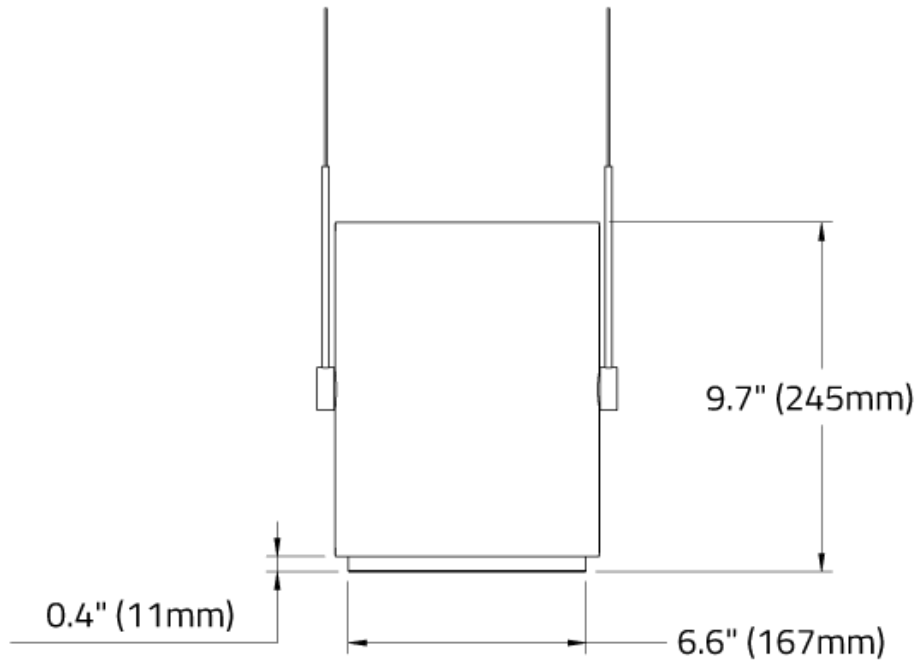
### LONG SNOOT



# Matrex RD Dual Twist™ - Dimensional Diagrams

LOUVRE

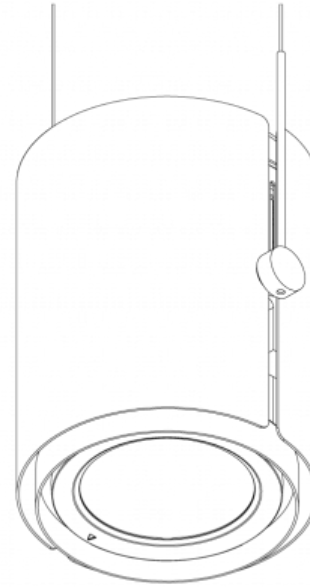
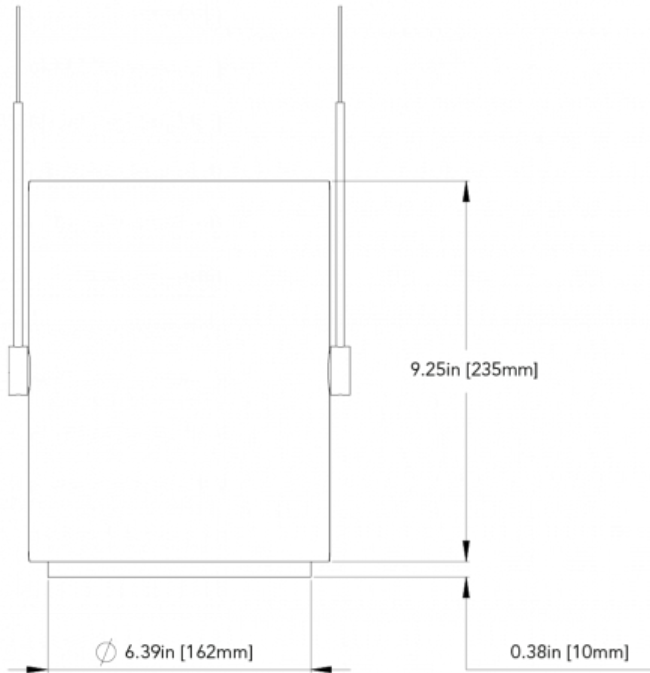
## HEX CELL LOUVRE



# Matrex RD Dual Twist™ - Dimensional Diagrams

Matrex Round PD - COB

## Matrex RD PD - COB



Isometric View

