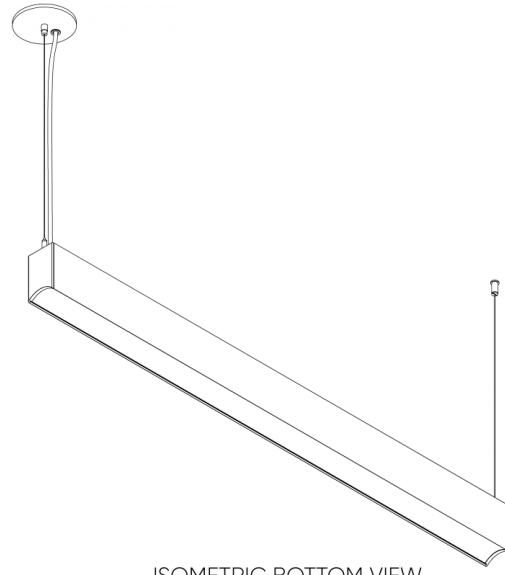


Tunnel™ - Dimensional Diagrams



Top View
(Asymmetric Light Direction)

