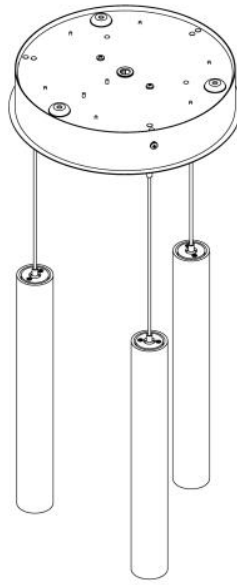
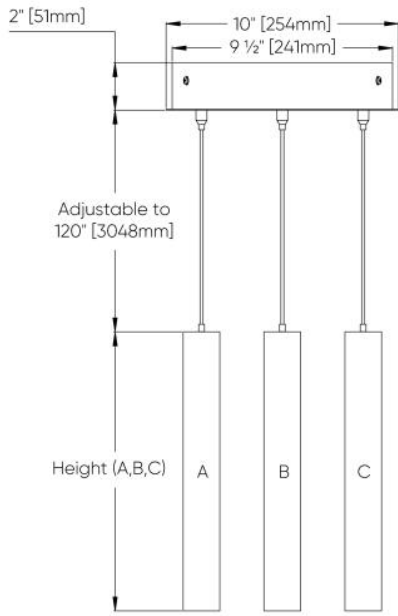
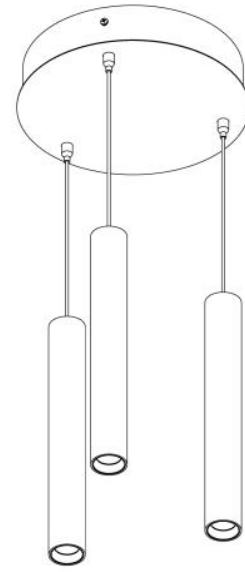


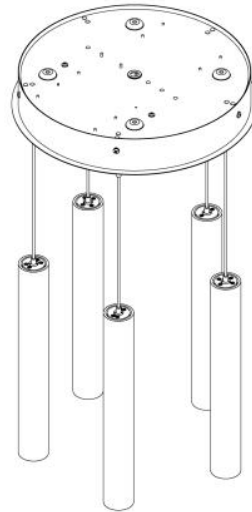
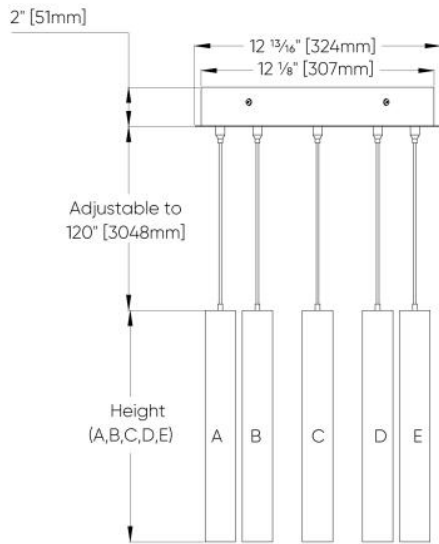
# Micro Cylinder 1.5 Cluster™ - Dimensional Diagrams



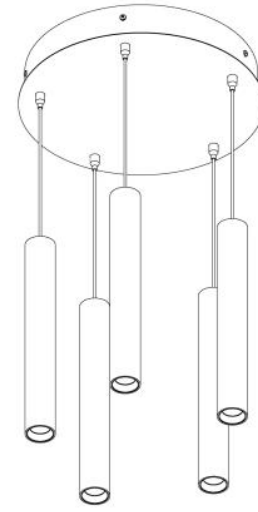
ISOMETRIC TOP VIEW



ISOMETRIC BOTTOM VIEW

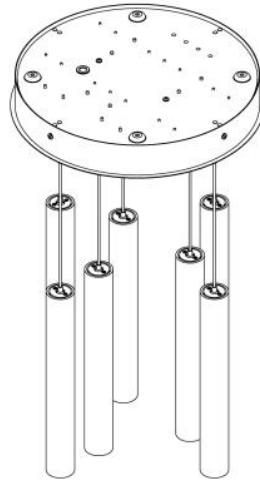
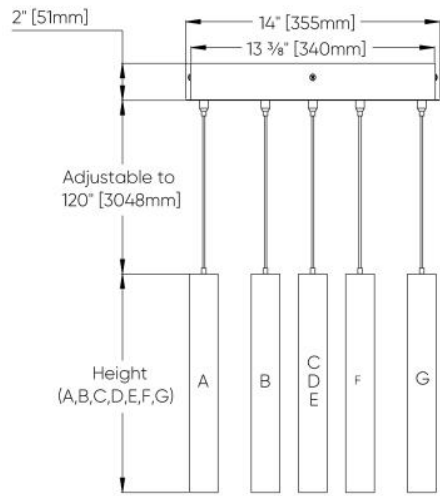


ISOMETRIC TOP VIEW

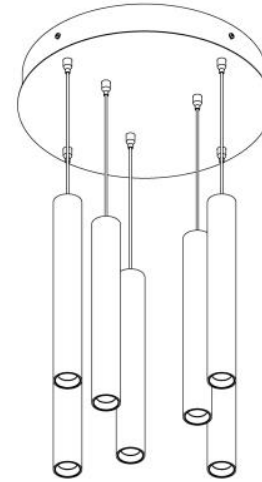


ISOMETRIC BOTTOM VIEW

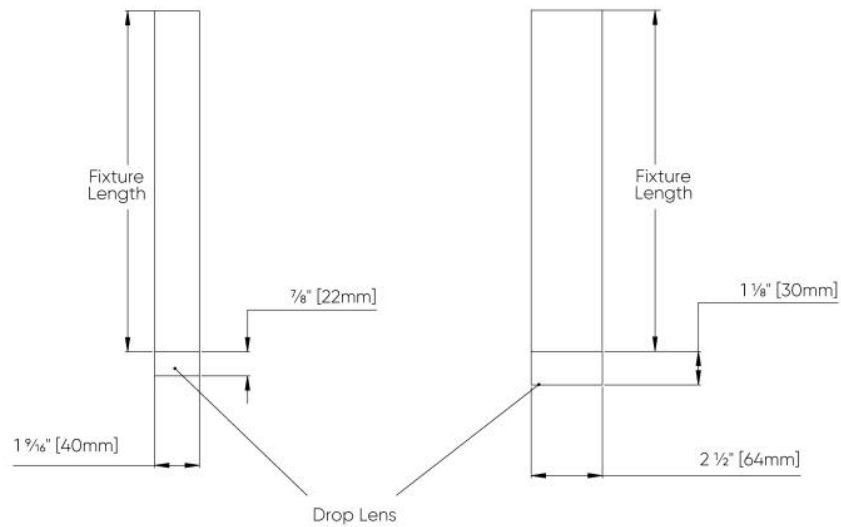
# Micro Cylinder 1.5 Cluster™ - Dimensional Diagrams



ISOMETRIC TOP VIEW



ISOMETRIC BOTTOM VIEW



FROSTED DROP LENS DIMENSIONS