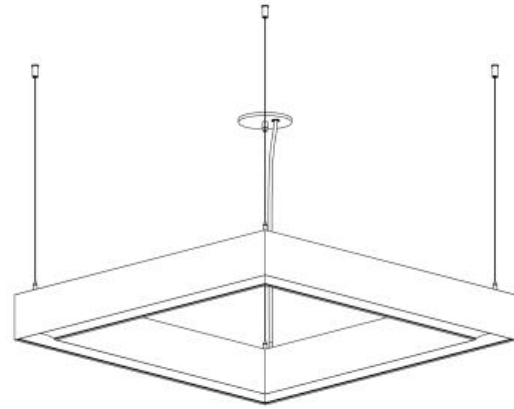
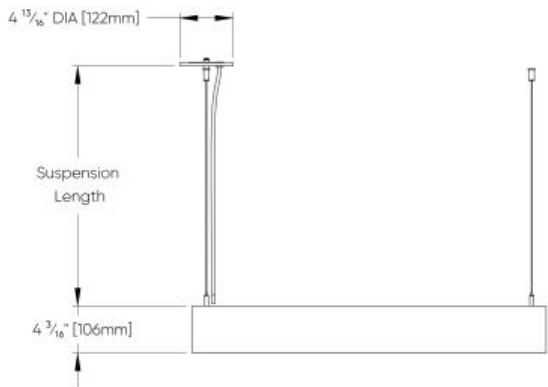
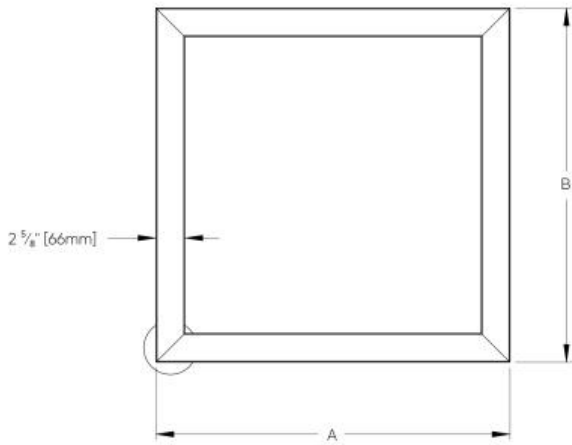


Tunnel Quad™ - Dimensional Diagrams



ISOMETRIC BOTTOM VIEW



| Luminaire | A | B |
|-------------------|--|--|
| TLCQ1P01/TLCQ2P01 | 27 ³ / ₁₆ " [690mm] | 27 ³ / ₁₆ " [690mm] |
| TLCQ1P02/TLCQ2P02 | 51 ³ / ₁₆ " [1300mm] | 51 ³ / ₁₆ " [1300mm] |
| TLCQ1P05/TLCQ2P05 | 27 ³ / ₁₆ " [690mm] | 51 ³ / ₁₆ " [1300mm] |

