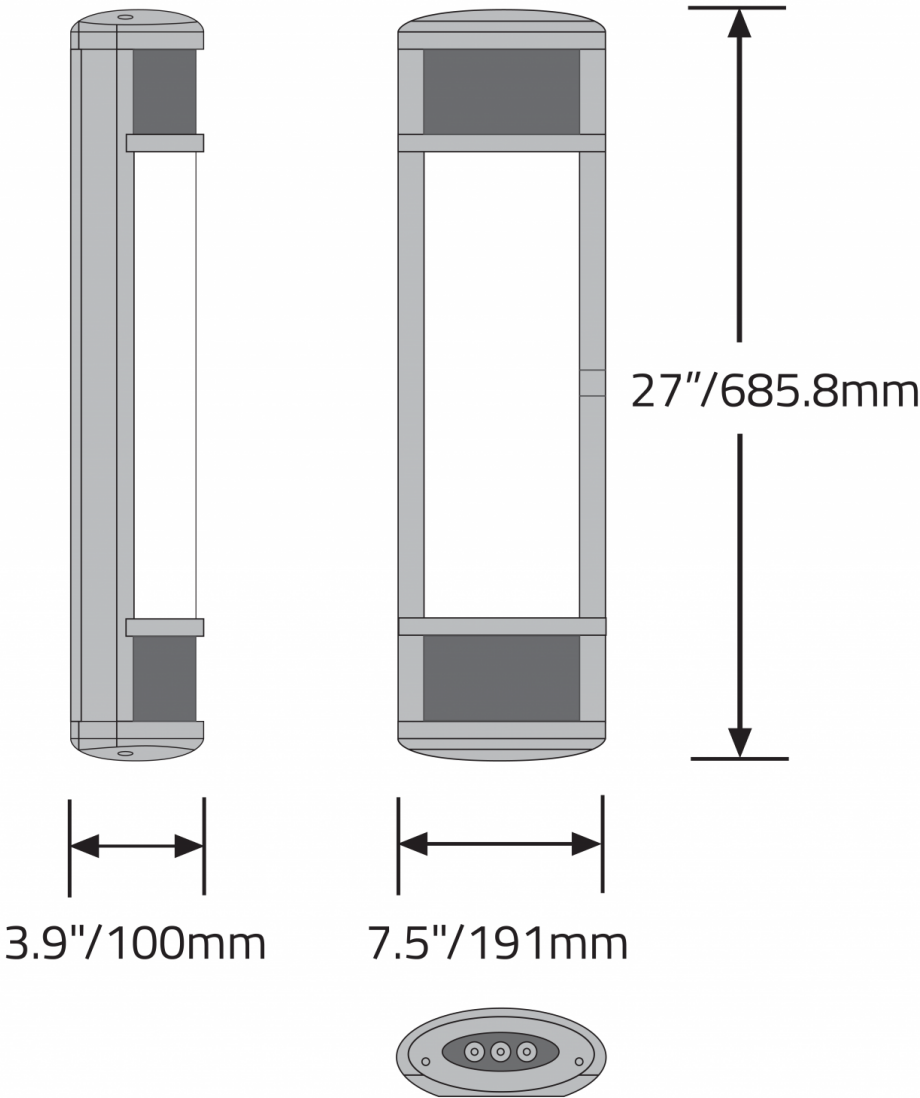


### Sentinel 27"



### Sentinel 51"

