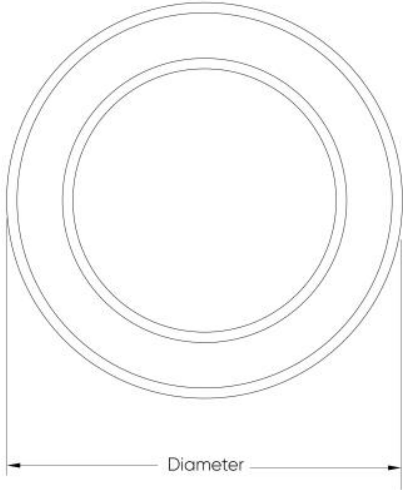
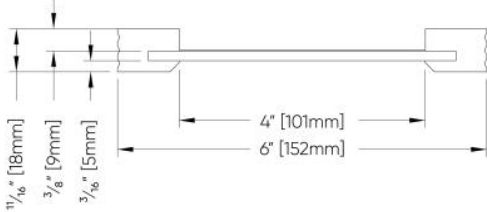


Ring Blade™ - Dimensional Diagrams

DISTANCE TO CEILING SURFACE MOUNT

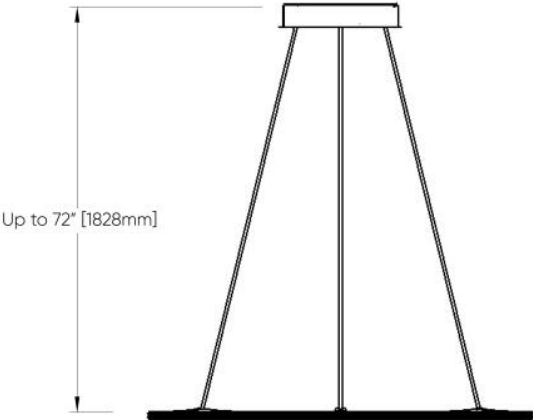


CROSS SECTION



Diameter	Minimum Suspension Height
3ft [914mm]	15" [381mm]
4ft [1219mm]	20" [508mm]
5ft [1524mm]	25" [635mm]
6ft [1828mm]	35" [889mm]

Distance to ceiling
Hub Mount

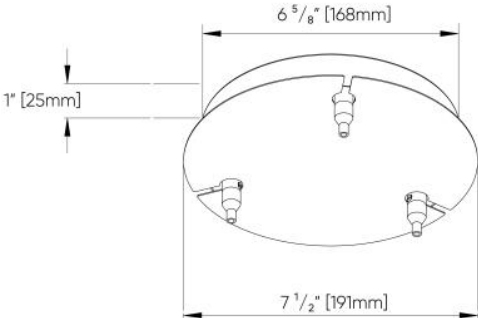


Distance to ceiling
Vertical Mount

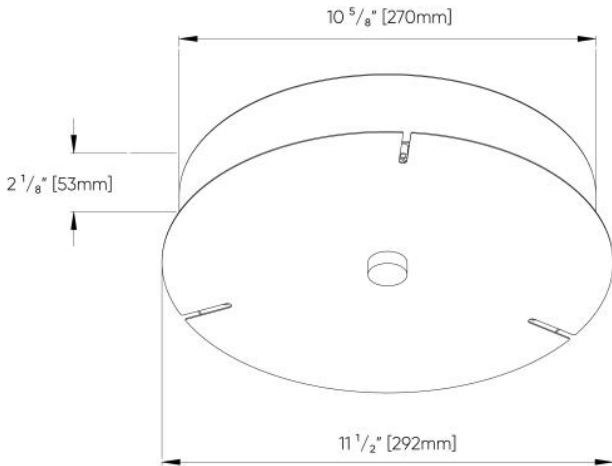


Ring Blade™ - Dimensional Diagrams

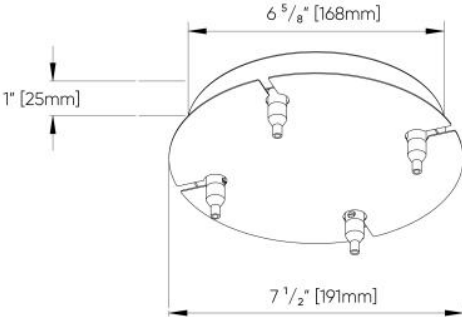
POS, Hub, Remote driver (SS7)
(Diameter: 3ft, 4ft)



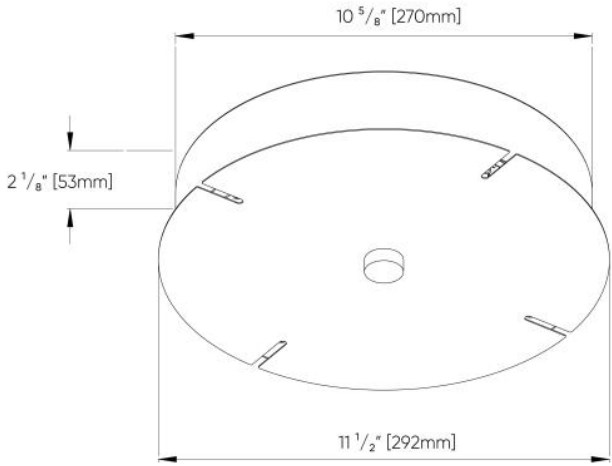
POS, Hub, Driver Integral to Canopy (SS9)
(Diameter: 3ft, 4ft)



POS, Hub, Remote driver (SS7)
(Diameter: 5ft, 6ft)



POS, Hub, Driver Integral to Canopy (SS9)
(Diameter: 5ft, 6ft)



Ring Blade™ - Dimensional Diagrams

POS, Vertical, Remote driver (SS6)
(Diameter: 3ft, 4ft, 5ft, 6ft)

