



OOOH™



OOOOH

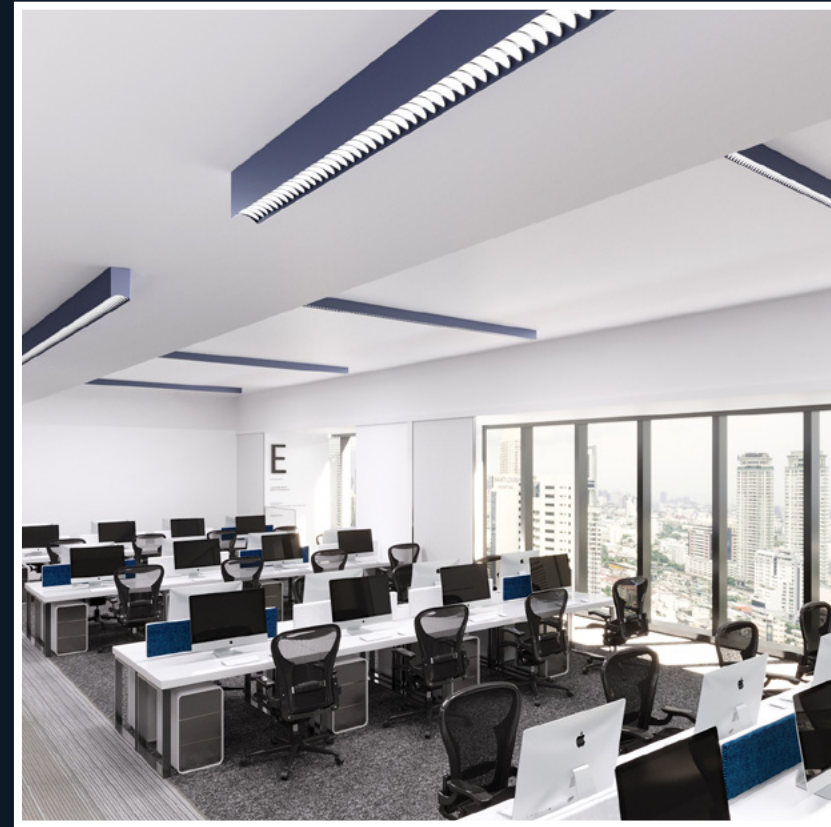
INTRODUCTION

OOOOH refashions traditional lighting concepts with an innovative louver system. An array of ellipses is incurved to conform to a tunnel-shaped profile, creating a subtle aesthetic and sublime lighting effect. The louver system not only tempers the starkness of the commonly exposed lens with an enchanting decorative feature but also enhances visual comfort by reducing glare.

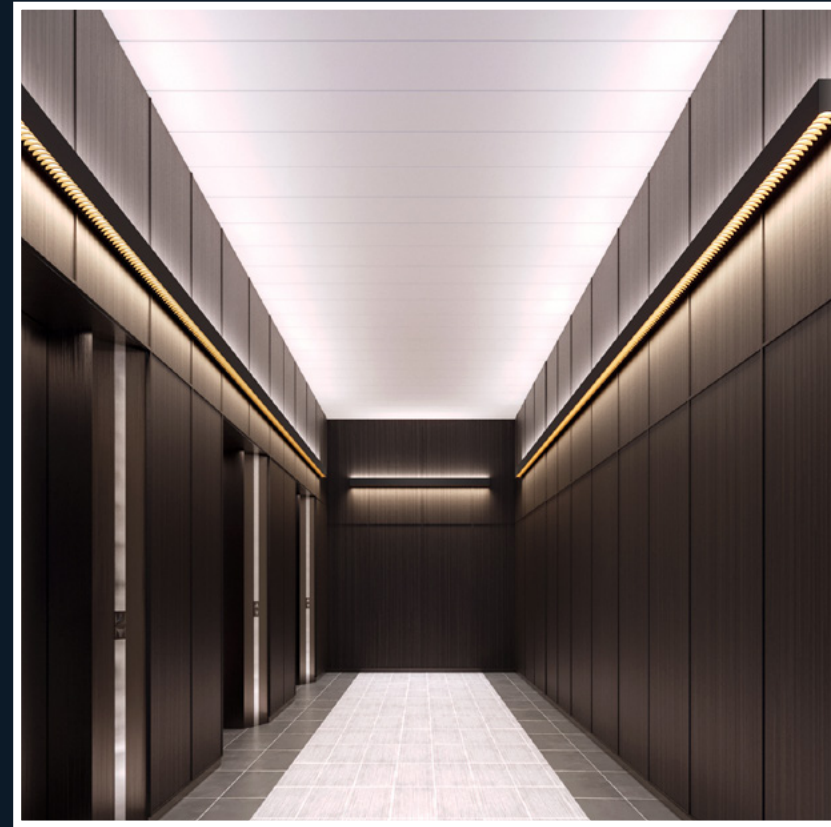




LINEAR SUSPENDED



LINEAR CEILING



LINEAR WALL



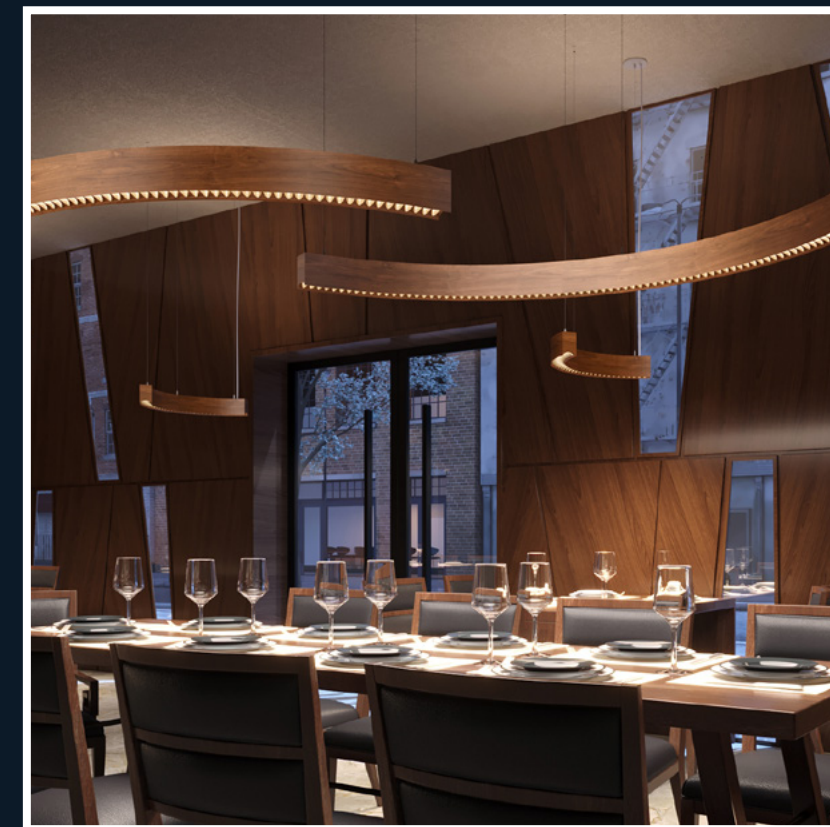
LINEAR RECESSED



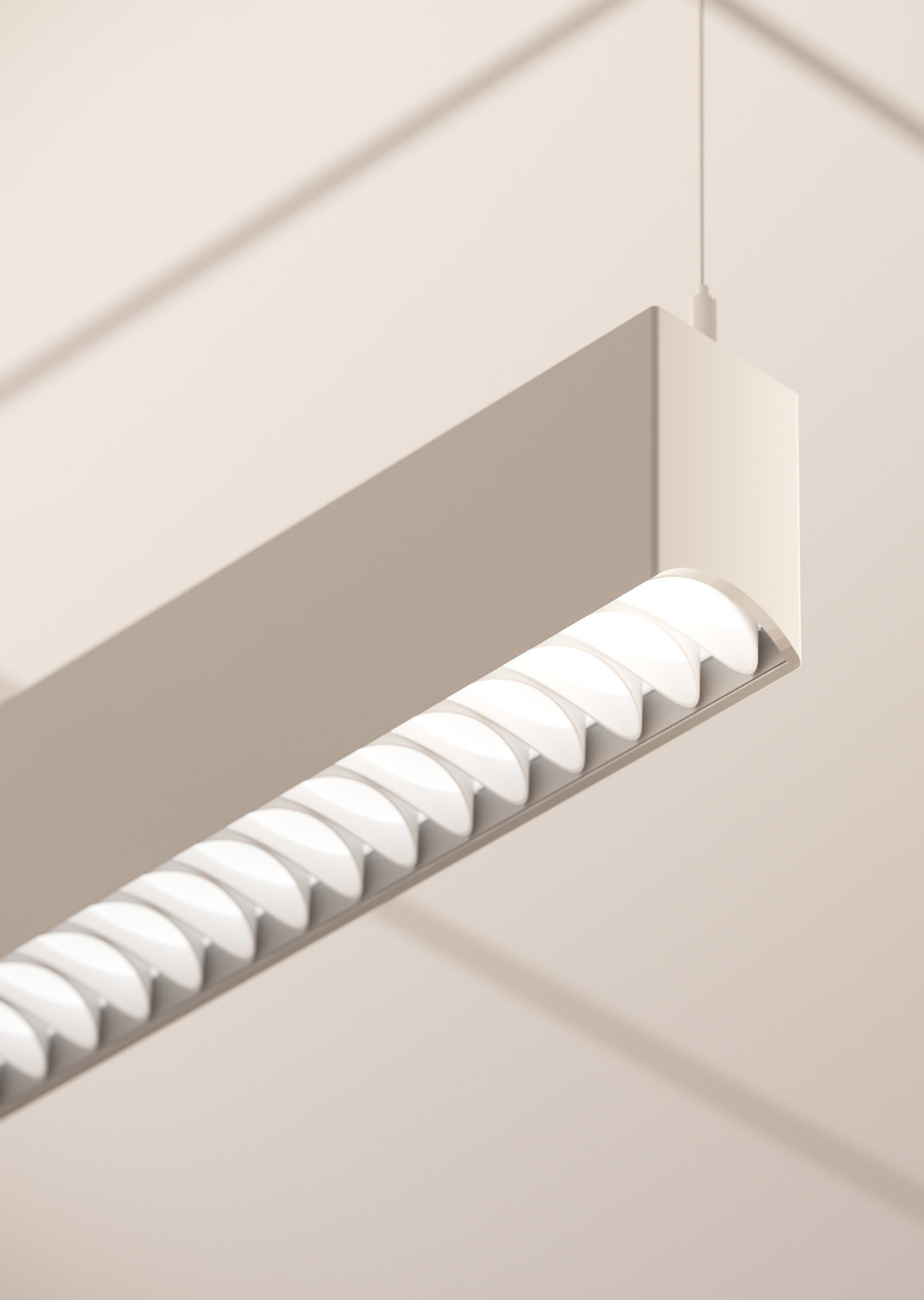
QUAD



RING



KURL



FEATURES

VISUAL COMFORT

An injection-molded louver provides precise optical control, limiting glare from the luminaire. Available in 5 finishes: Black for the highest glare control, White for higher reflectance and performance, and for an interior design enhancement, satinized finishes Satin Chrome, Satin Gold, and Satin Champagne. Beyond improving visual comfort through glare reduction, the elliptical louver's soft curves add a dimension of aesthetic comfort.

OPTICAL CONTROL

In linear systems, the direct light is available with the Comfort lens, which offers a softer, more uniform light distribution, whereas the Asymmetric lens targets light for specific purposes, such as wall illumination, thus augmenting the ambient light. Additionally, for indirect lighting in linear suspension, the Batwing optic, featuring a 120° beam, casts light upwards towards the ceiling, enhancing the ambient lighting experience with reduced glare.

FINISH COMBINATIONS

The luminaire body is available in 12 finishes which were selected based on their versatility to a variety of color schemes. Metallic sheens balance out functional forms with elegance; the wood finishes ground the space with a natural aesthetic. In combination with the louver and acoustic panel finishes, a truly tantalizing luminaire can be configured.

BESPOKE

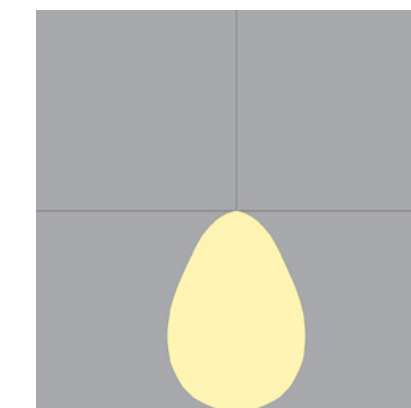
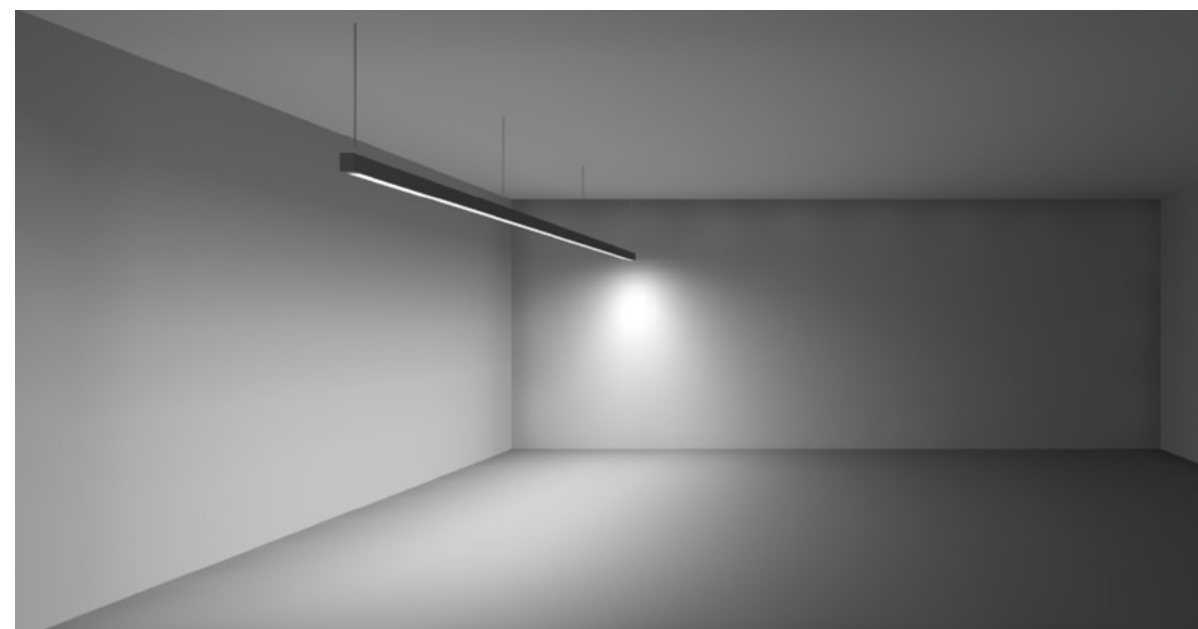
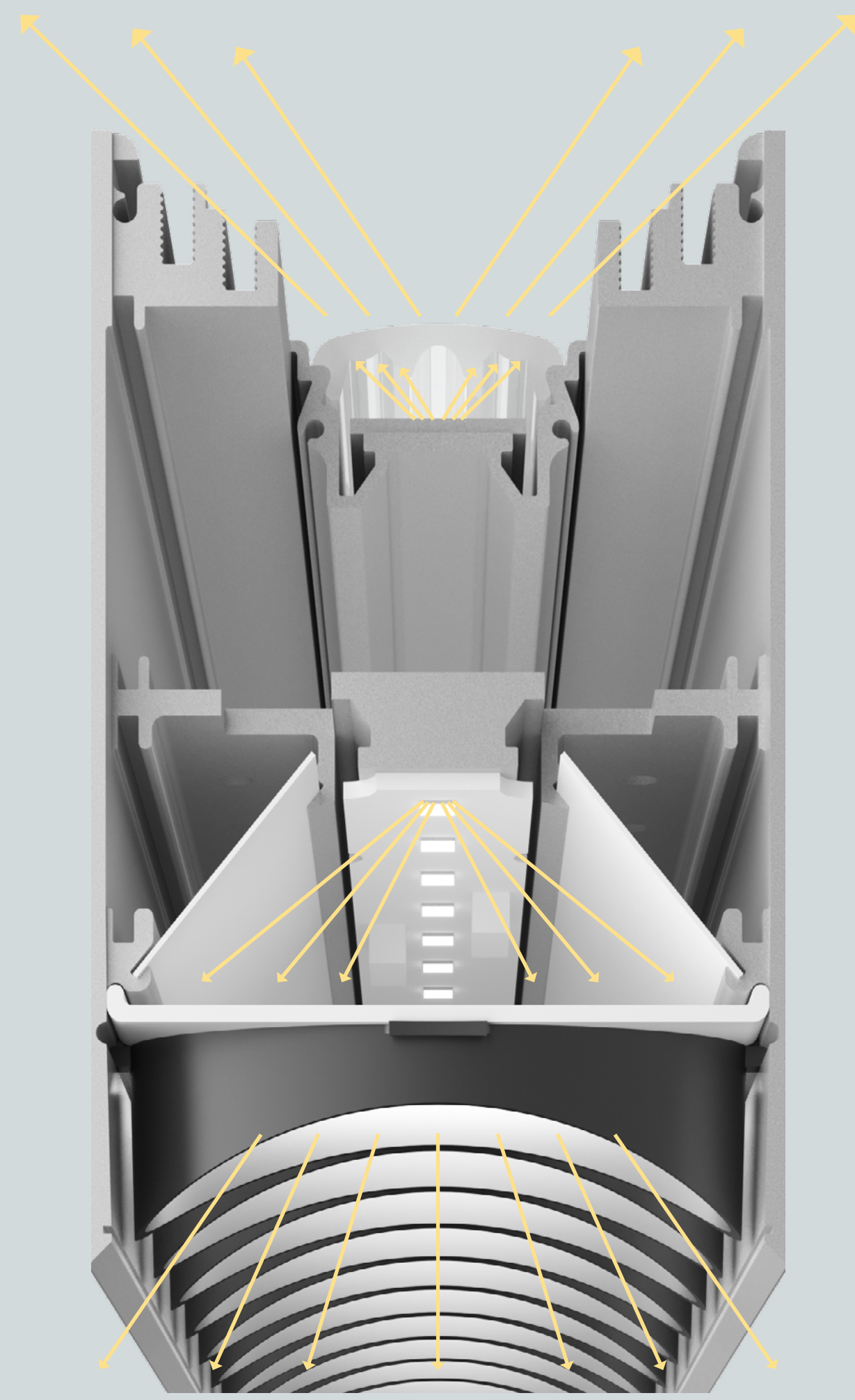
Build a luminaire specifically suited to the space requirements. Designers have multiple options for each component at their disposal, including lumen package, color attributes, light distribution, open-standard control systems, and mounting systems.



SUSPENDED

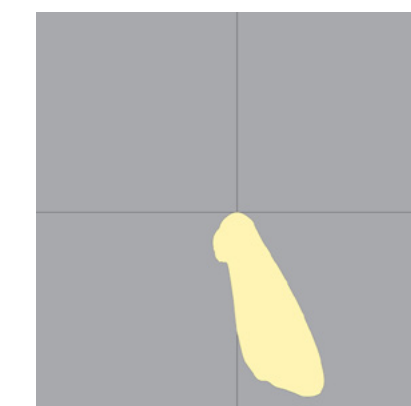
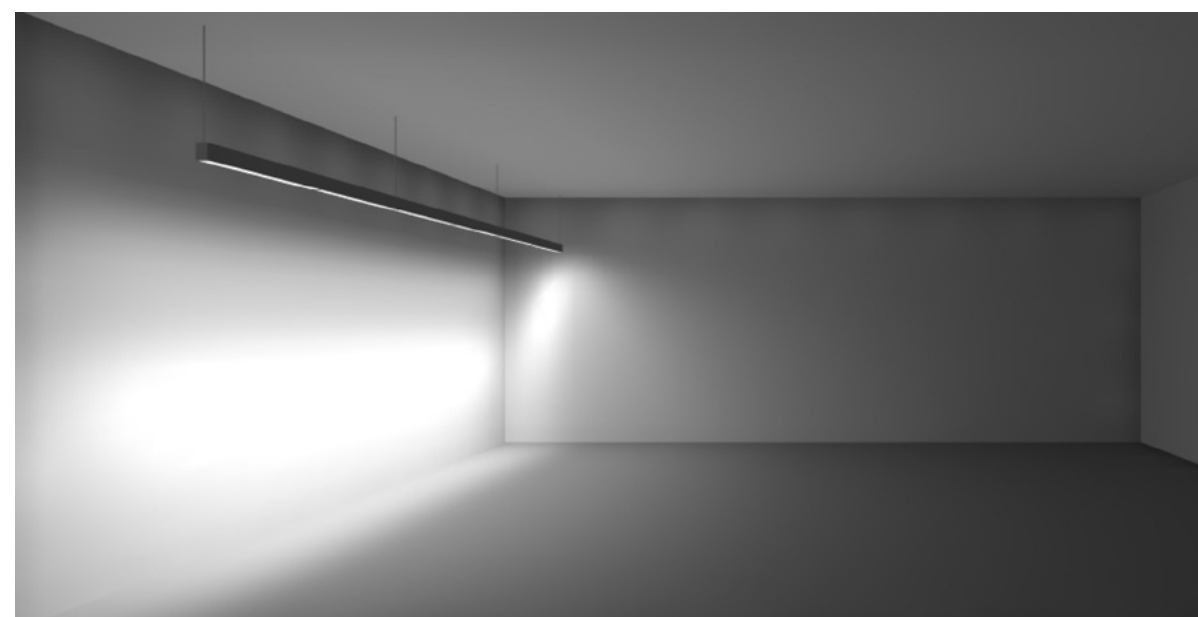
Behind the louver system lies the Comfort lens, designed to deliver a soft, uniform light spread. For indirect lighting needs, the Batwing lens features a precise 120° beam, ensuring an even cast across the ceiling while enhancing the overall ambient light with minimal glare.

SUSPENDED OPTICS



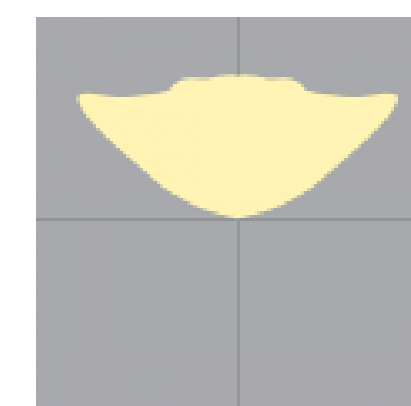
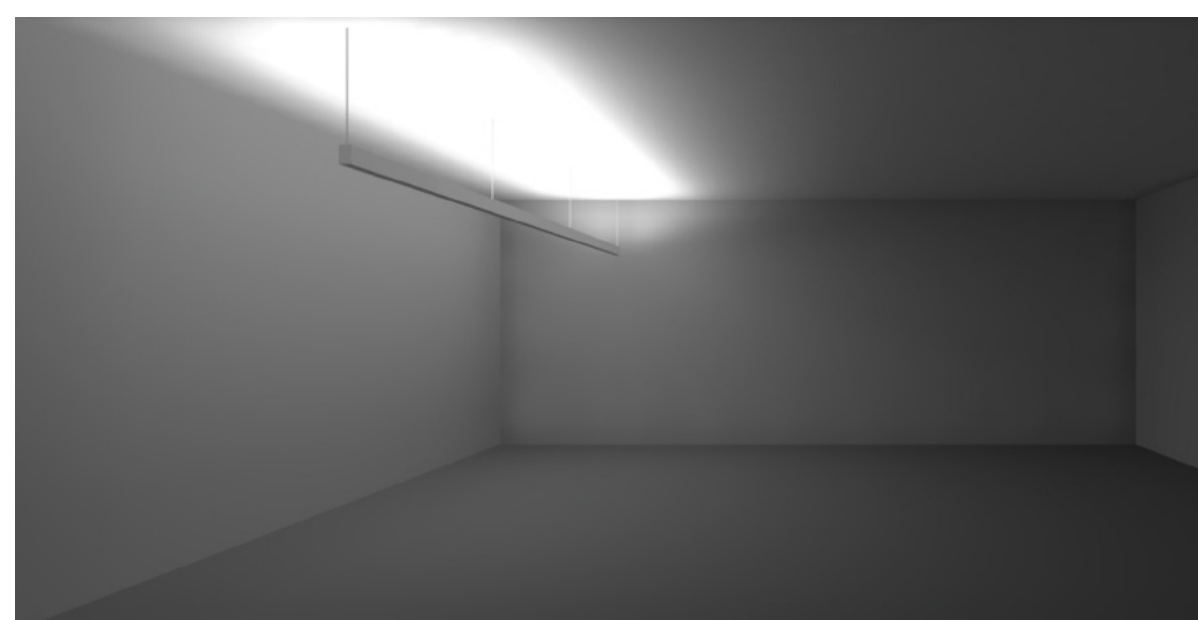
Comfort Lens:

Frosted acrylic lens is engineered to provide better light control and softer distribution.



Asymmetric:

Skew the light toward specific tasks, like illuminating walls, thereby enhancing the ambient lighting.

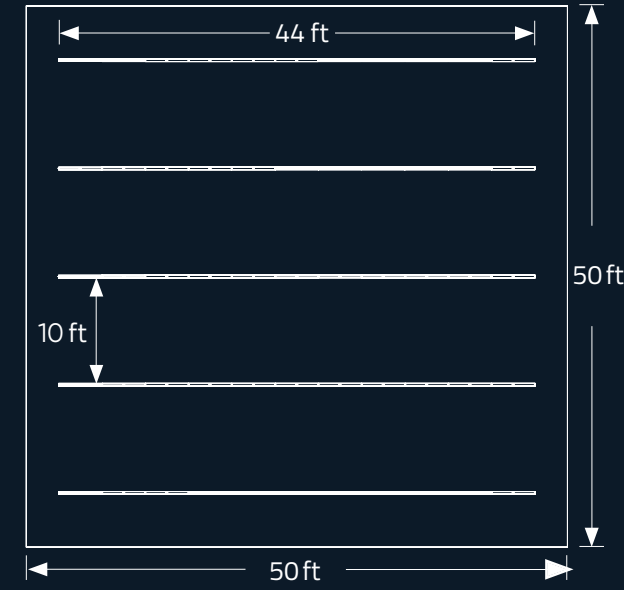


Batwing:

120° beam provides even distribution on the ceiling and contributes to the ambient light with minimal glare.

SUSPENDED

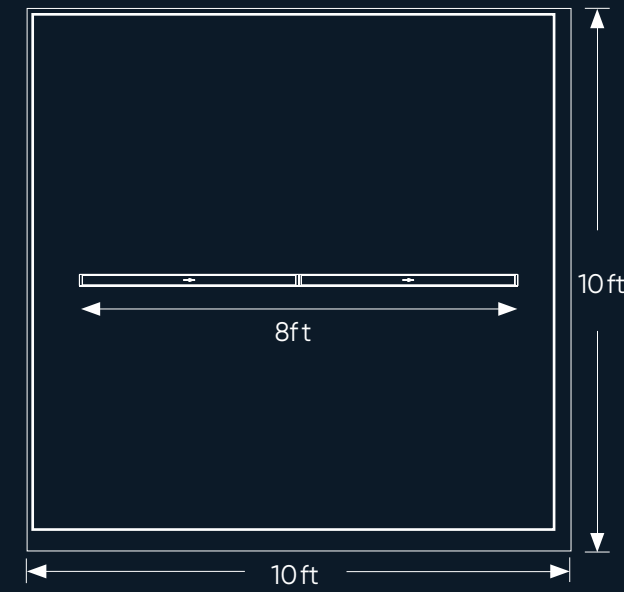
USE CASE SCENARIOS



OPEN PLAN OFFICE SPACE

DD4 Comfort Lens- White Louver with 200lm/ft direct and 400lm/ft indirect

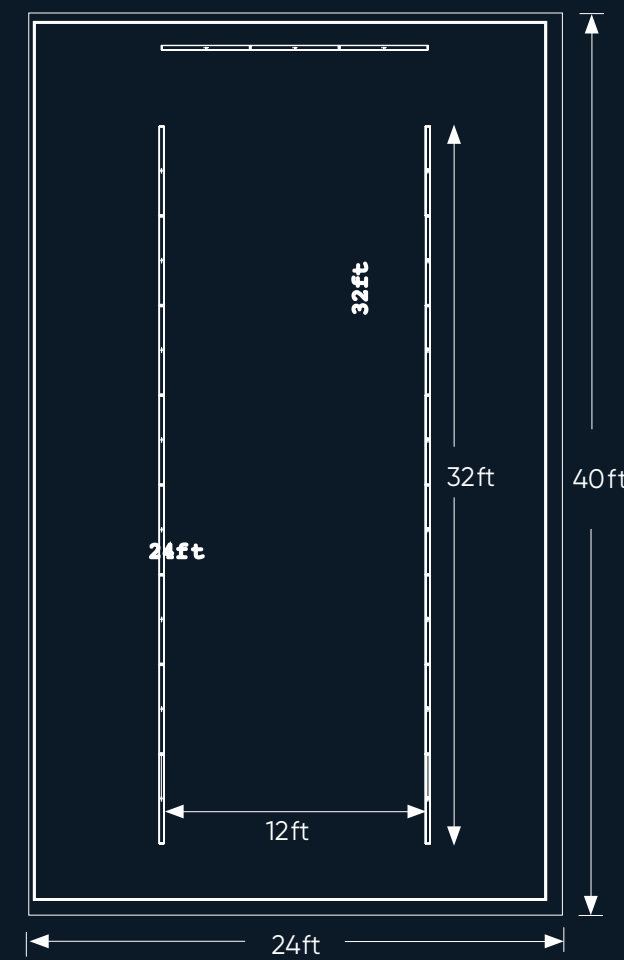
Room size:	50' x 50'	Workplane 30" above finished floor (fc level):	48
Ceiling height:	10'	Workplane uniformity max to min:	1.3:1
Luminaire mounting height:	8' 5"	Ceiling uniformity max to min:	6:5:1
Reflectances:	80/50/20	UGR average:	<11
Light loss factor:	1.0	Watt sq/ft:	0.37



SINGLE OFFICE SPACE

DD4 Comfort Lens- White Louver with 400lm/ft direct and 200lm/ft indirect

Room size:	10' x 10'	Workplane 30" above finished floor (fc level):	36
Ceiling height:	10'	Ceiling uniformity max to min:	3.1:1
Luminaire mounting height:	8' 5"	UGR average:	<12
Reflectances:	80/50/20	Watt sq/ft:	0.37
Light loss factor:	1.0		



CLASSROOM SPACE






DD4 Comfort Lens-
White Louver option over desk with 200lm/ft direct and 600lm/ft indirect - 32 ft length
White-Board: DD1 Asymmetric Lens with 400lm/ft direct - 12ft length

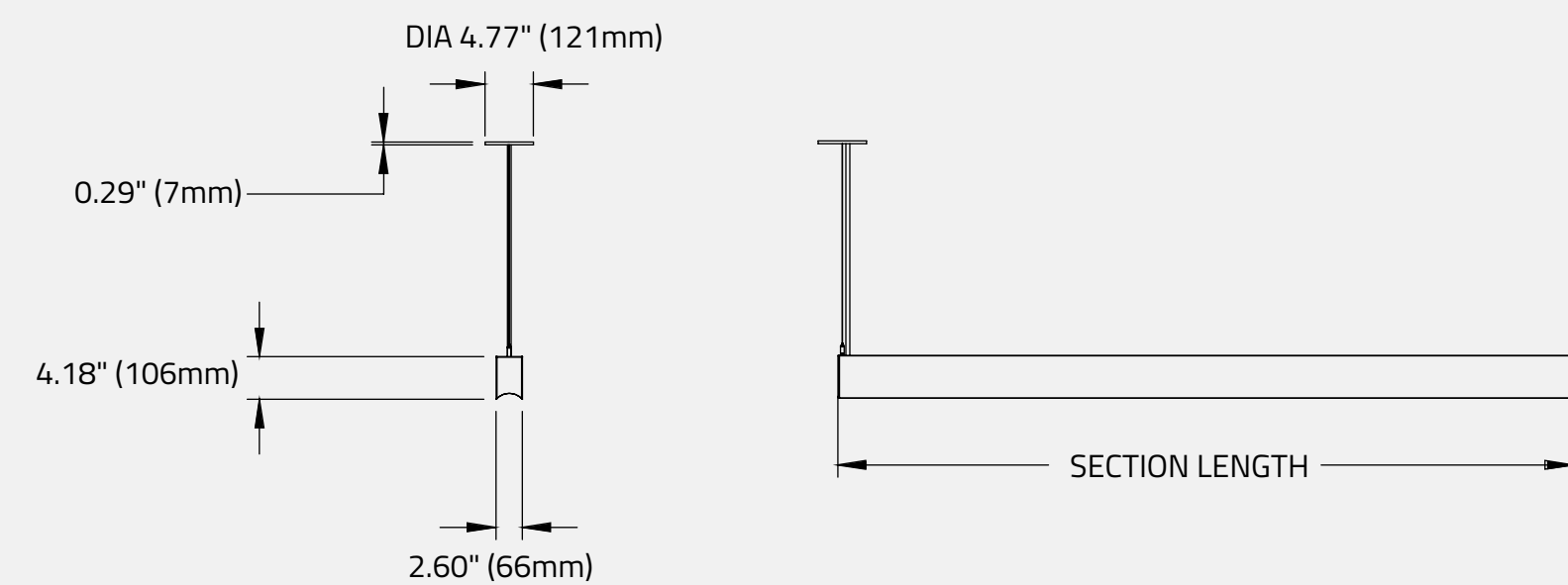
Room size:	24' x 40'	Workplane 30" above finished floor (fc level):	55
Ceiling height:	10'	Workplane uniformity max to min:	1.8:1
Luminaire mounting height:	8' 5"	Average illuminance on White-board wall:	38
Reflectances:	80/50/20	Ceiling uniformity max to min:	5:1
Light loss factor:	1.0	UGR average:	<15
		Watt sq/ft:	0.45

DIMENSIONS

Ooooh Linear Suspended can be configured as a continuous run up to 50' on a single circuit. Start with a minimum length of 4' and add increments of 2ft. For 6 inch increments, consult factory.

Section Lengths

4 FT (1220mm)	
6 FT (1829mm)	
8 FT (2438mm)	
10 FT (3048mm)	
12 FT (3658mm)	





Continuous Run Connection

Featuring a solid, simplistic connection mechanism, this design ensures a flawless joint with zero light leakage.

OOOH

The louver system not only tempers the starkness of the commonly exposed lens and adds an enchanting decorative feature, but also offers visual comfort by minimizing glare.



SUSPENDED



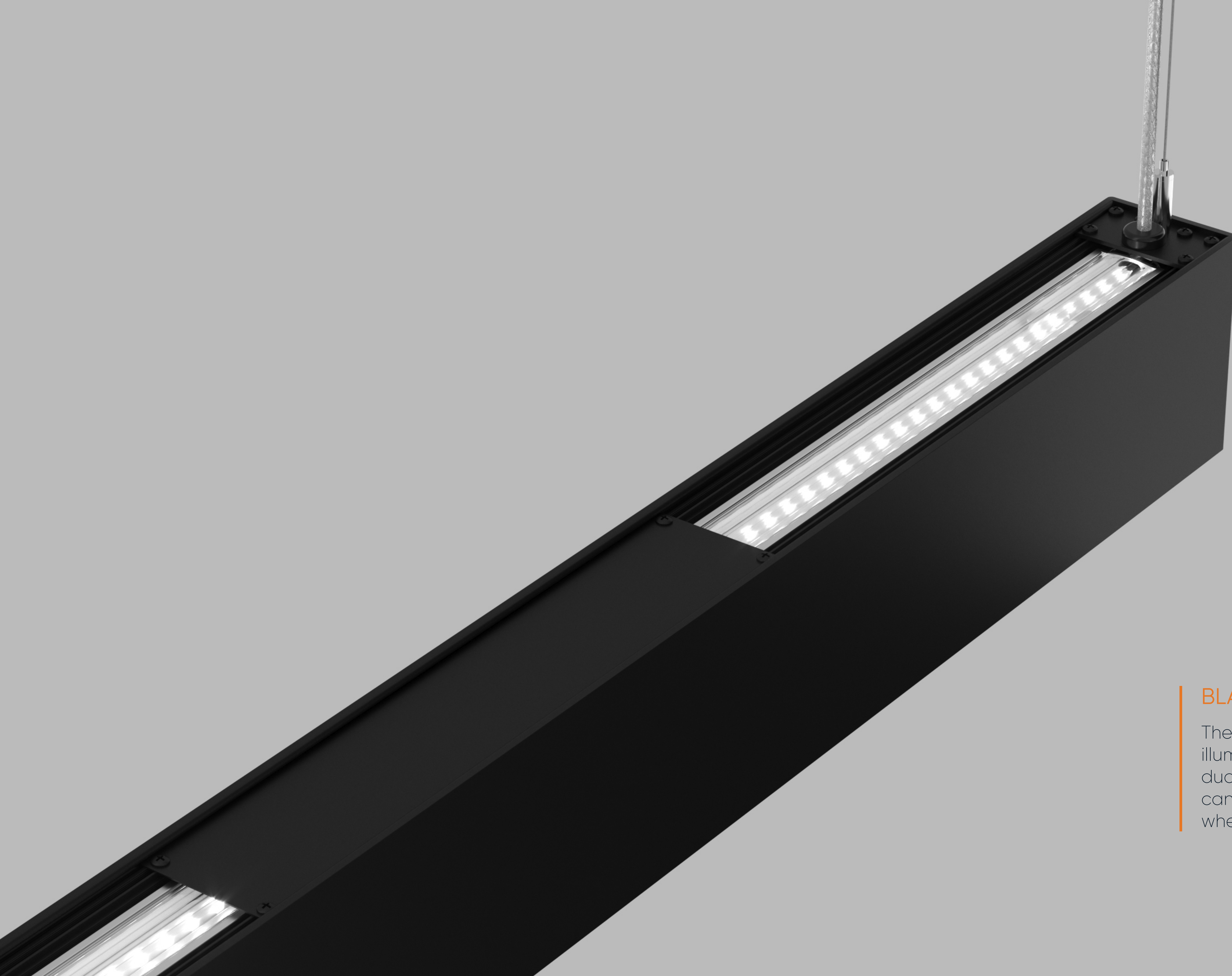
OOOOH SYSTEMS

A precise geometry of light that frames and defines, OOOOH Systems offers a structured lighting narrative that turns corners with purpose. It constructs a continuous lighting network that syncs with the cadence of the space.



01

04



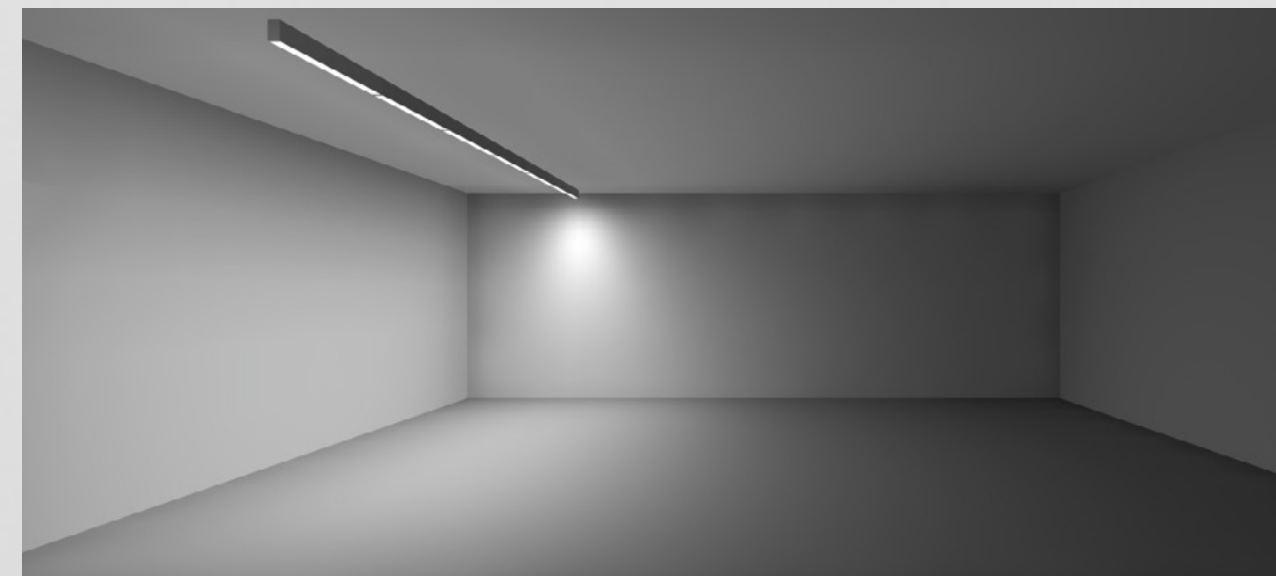
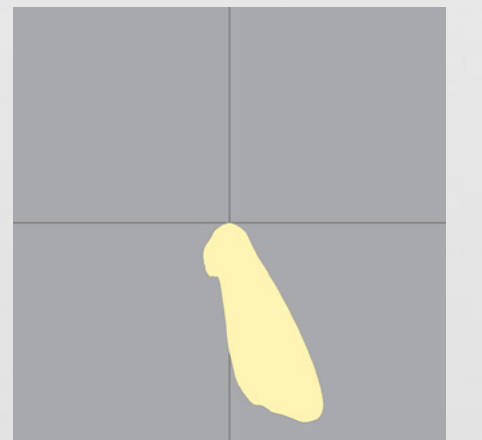
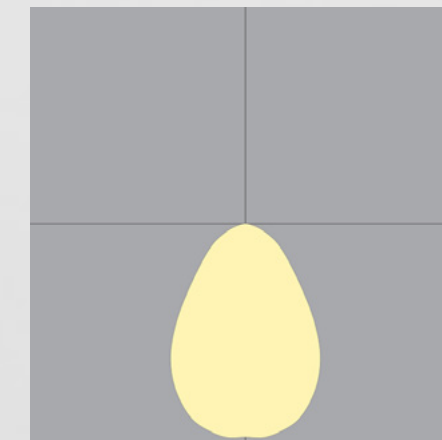
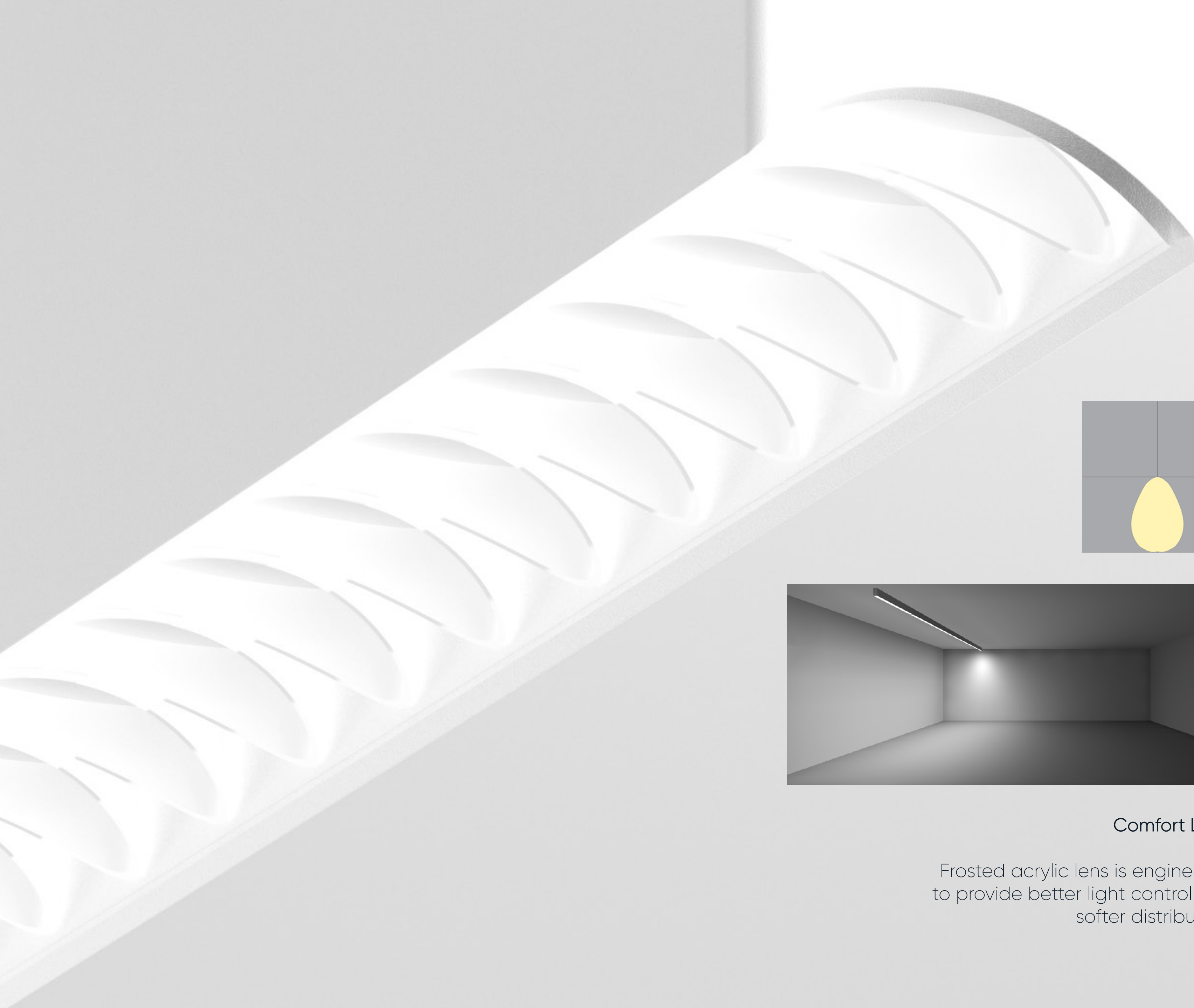
BLACKOUT PLATE

The blackout plate blocks light from illuminating unflattering ceiling areas such as ductwork. It comes in one-foot sections and can easily slide along the top of the fixture to where it is needed.

CEILING

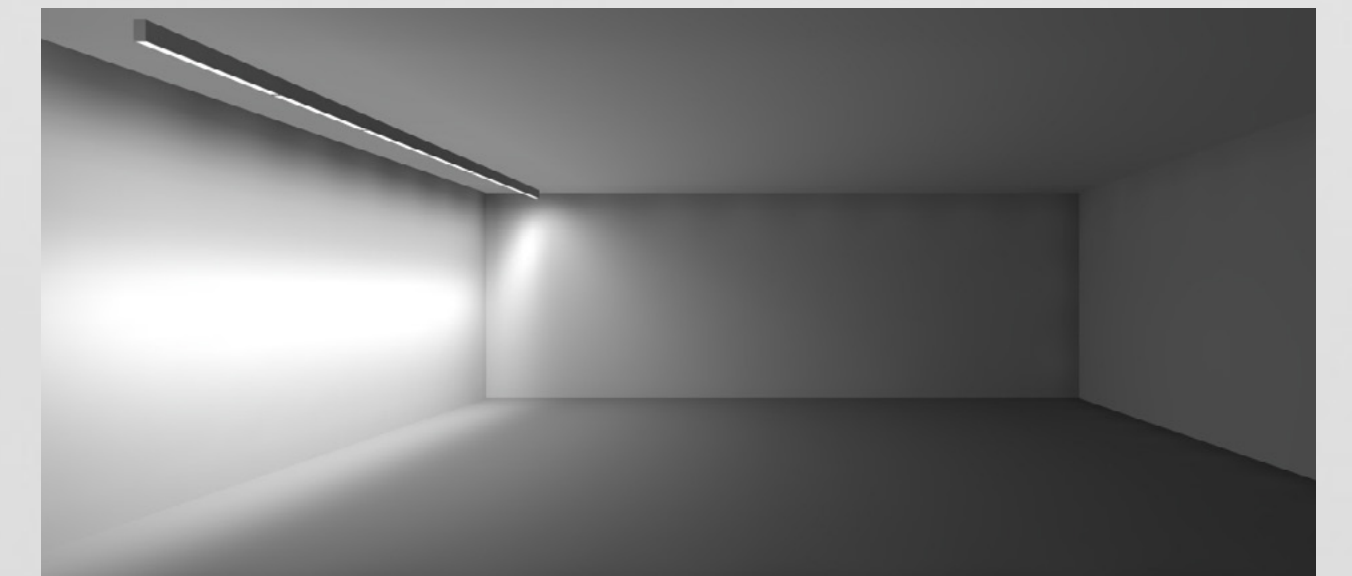
OOOOH combines practicality with elegance, offering high-performance lighting that suits the needs of any modern workspace. Its efficient illumination, delivering up to 128 lumens per watt, ensures a well-lit environment conducive to productivity, while its sleek design subtly enhances the office aesthetic.

CEILING OPTICS



Comfort Lens:

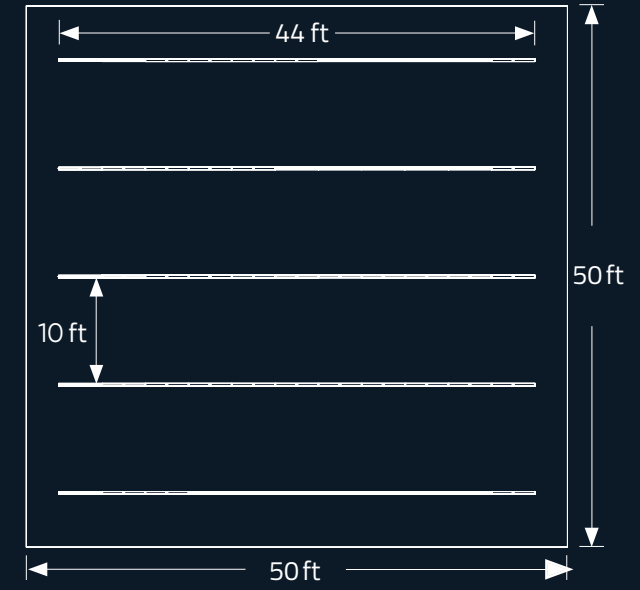
Frosted acrylic lens is engineered to provide better light control and softer distribution.



Asymmetric:

Skew the light toward specific tasks, like illuminating walls, thereby enhancing the ambient lighting.

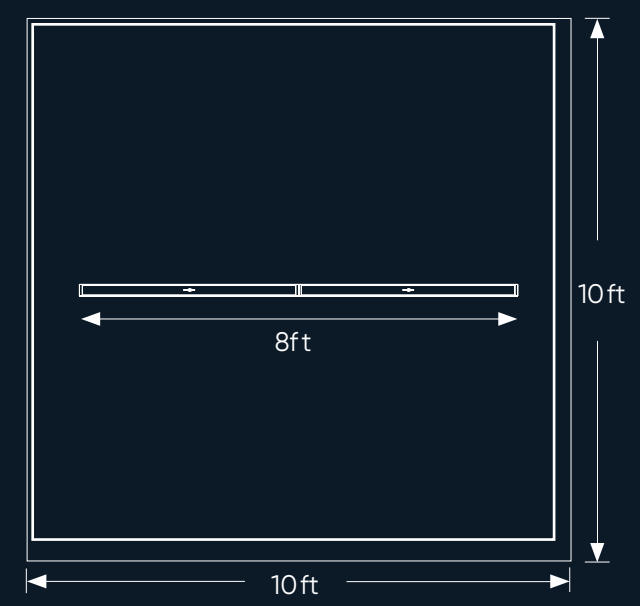
USE CASE SCENARIOS



OPEN PLAN OFFICE SPACE

DD4 Comfort Lens- White Louver with 600lm/ft

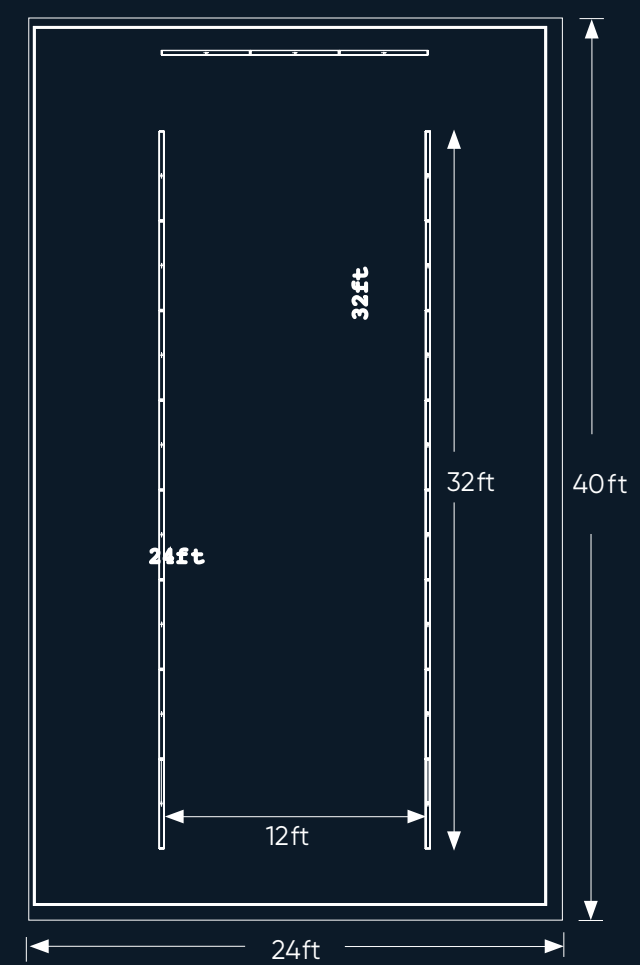
Room size:	50' x 50'	Workplane 30" above finished floor (fc level):	53
Ceiling height:	9'	Workplane uniformity max to min:	1.4:1
Reflectances:	80/50/20	Watt sq/ft:	0.4
Light loss factor:	1.0		



SINGLE OFFICE SPACE

DD4 Comfort Lens- White Louver with 600lm/ft

Room size:	10' x 10'	Workplane 30" above finished floor (fc level):	42
Ceiling height:	9'	Watt sq/ft:	0.41
Reflectances:	80/50/20		
Light loss factor:	1.0		








CORRIDOR

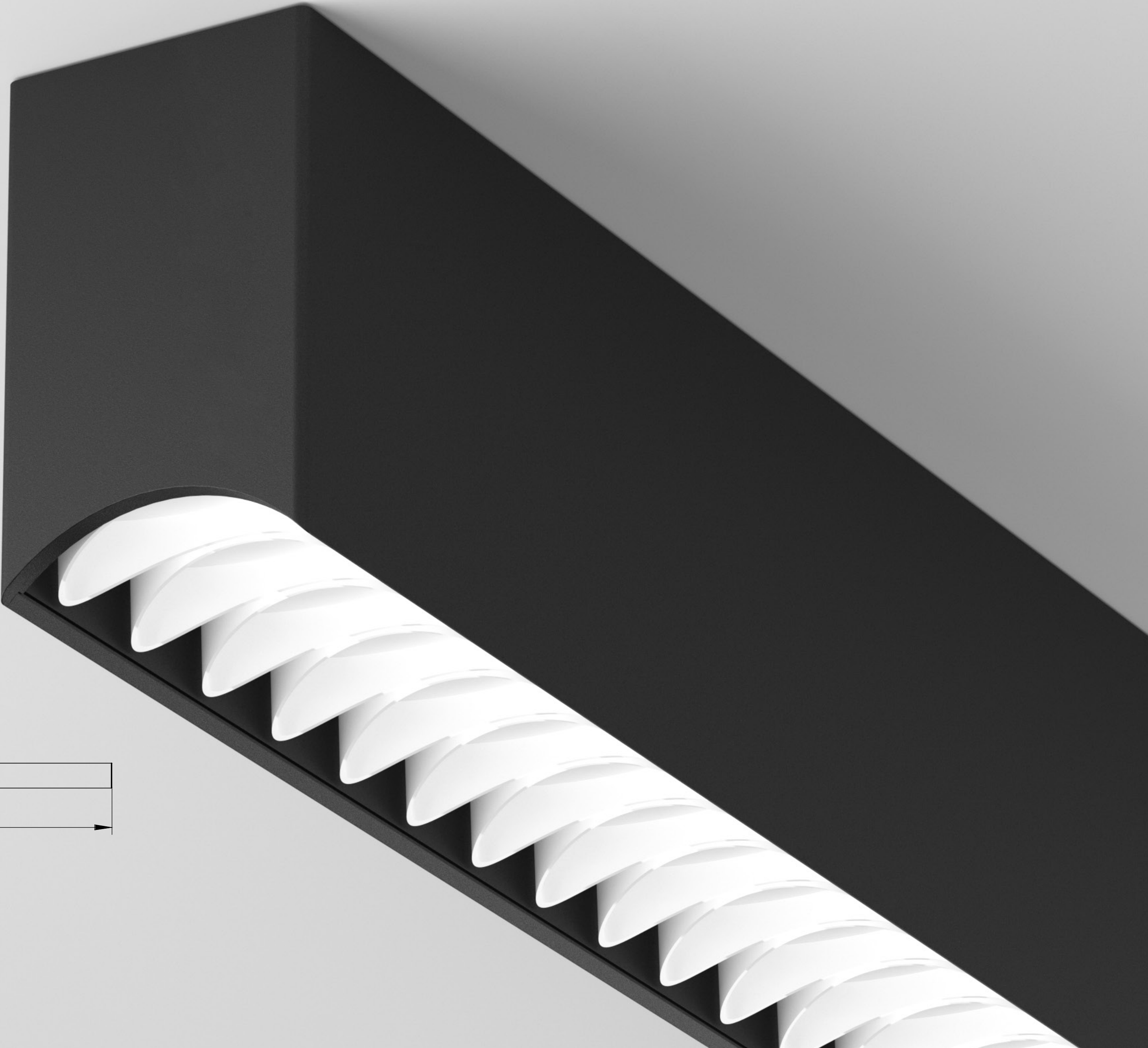
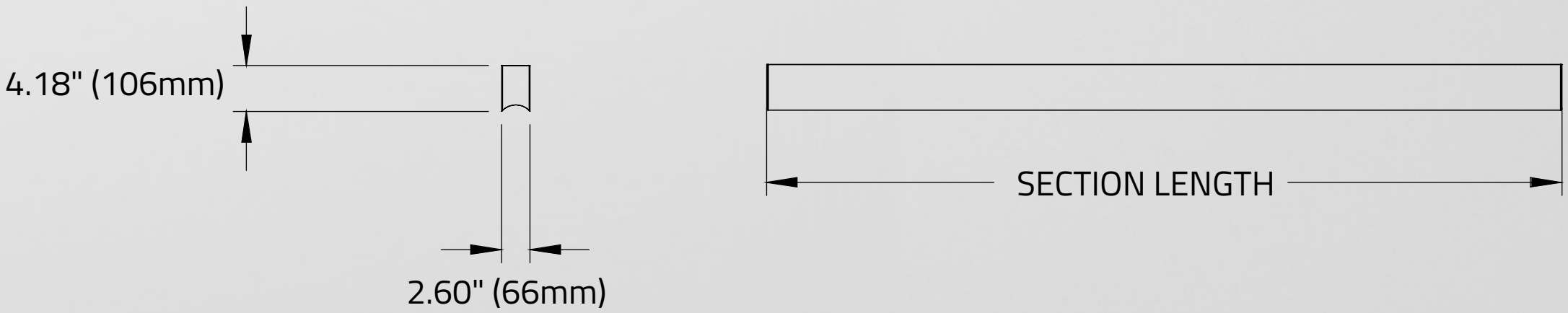
DD4 Comfort Lens- White Louver with 400lm/ft

Room size:	40'x5'	Finished floor (fc level):	20
Ceiling height:	9'	Watt sq/ft:	0.34
Reflectances:	80/50/20		
Light loss factor:	1.0		

DIMENSIONS

Ooooh Ceiling is available in five standalone lengths, varying from 4 feet to 12 feet. For 6 inch increments, consult factory.

- 4 FT (1220mm) 
- 6 FT (1829mm) 
- 8 FT (2438mm) 
- 10 FT (3048mm) 
- 12 FT (3658mm) 



OOOH

Opt for the Asymmetric lens to angle light away from reflective surfaces like glass or towards walls to enhance ambient lighting with a reflective boost.



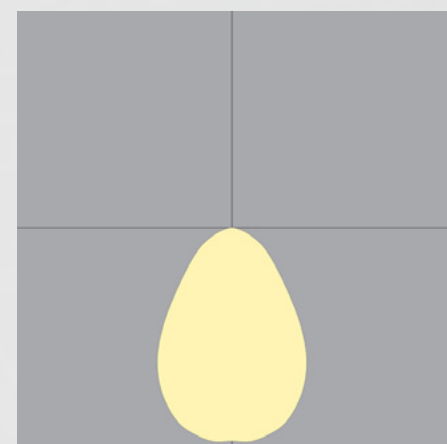
Merge modern design with natural beauty. For wood slat ceiling integration, consult our factory.



WALL

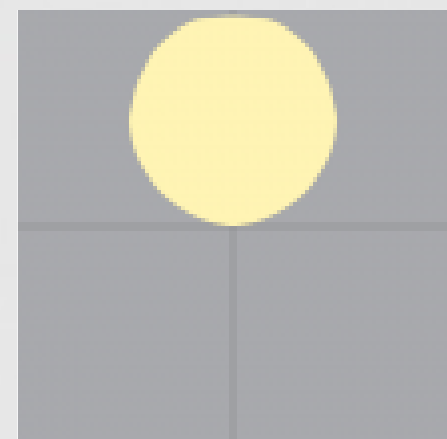
Bring OOOOH Linear's signature charm to a more intimate level with the wall mount option, perfect for spaces where illumination to accentuate is needed or where ceiling installations are impractical.

WALL OPTICS



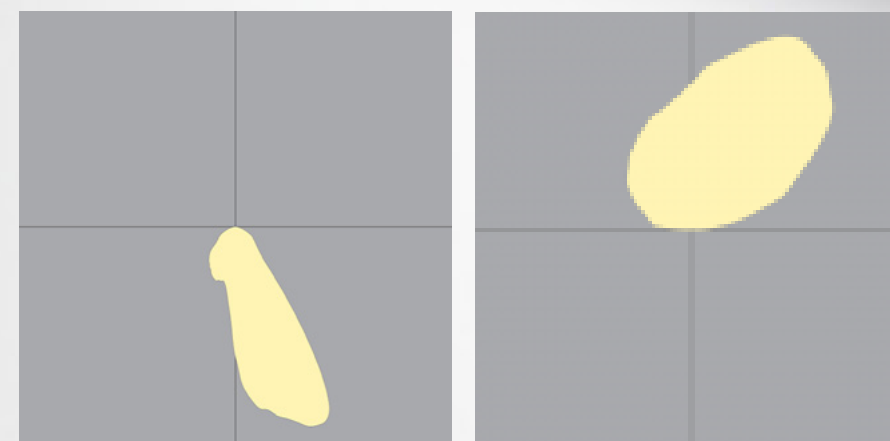
Comfort Lens:

Frosted acrylic lens is engineered to provide better light control and softer distribution.



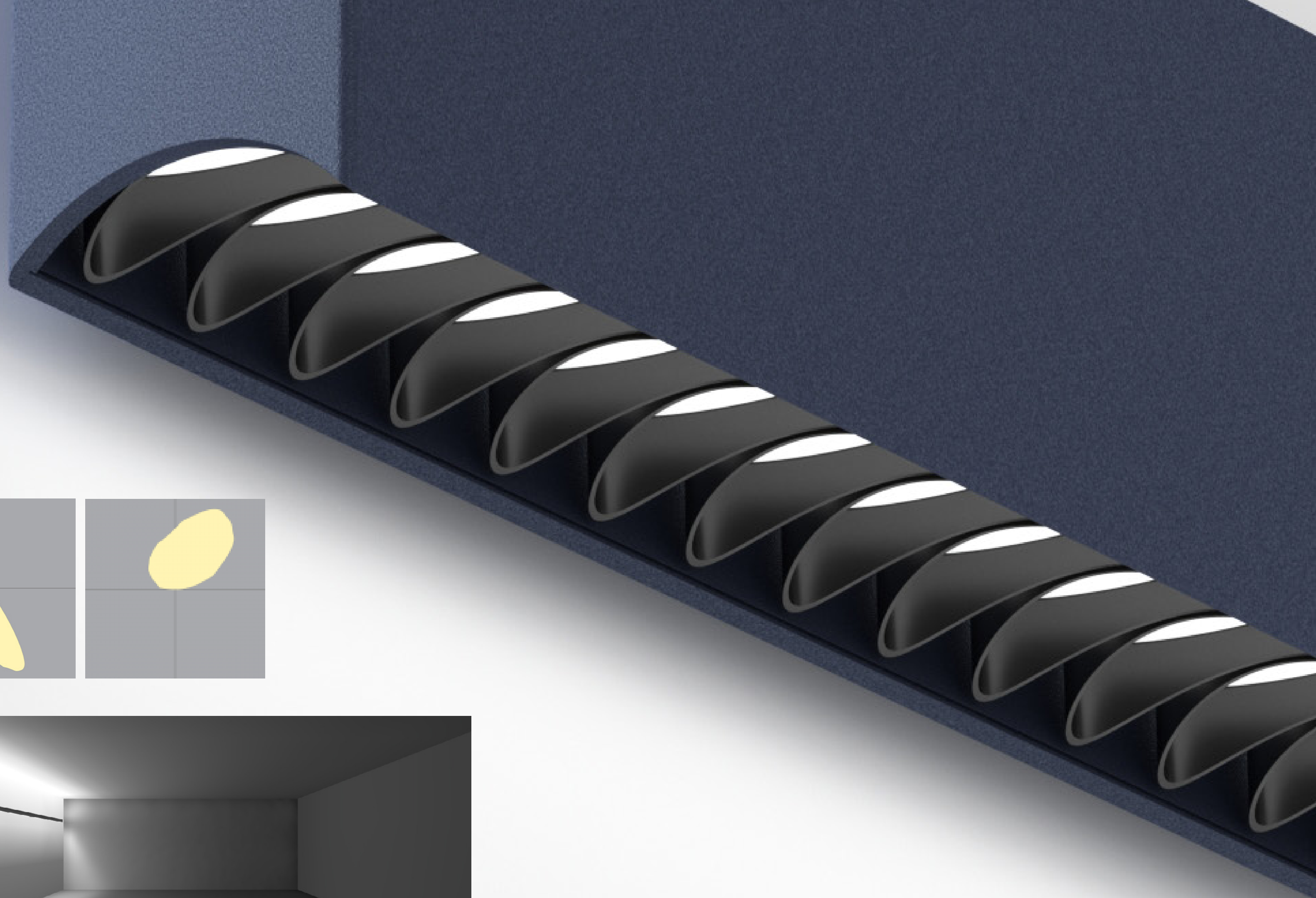
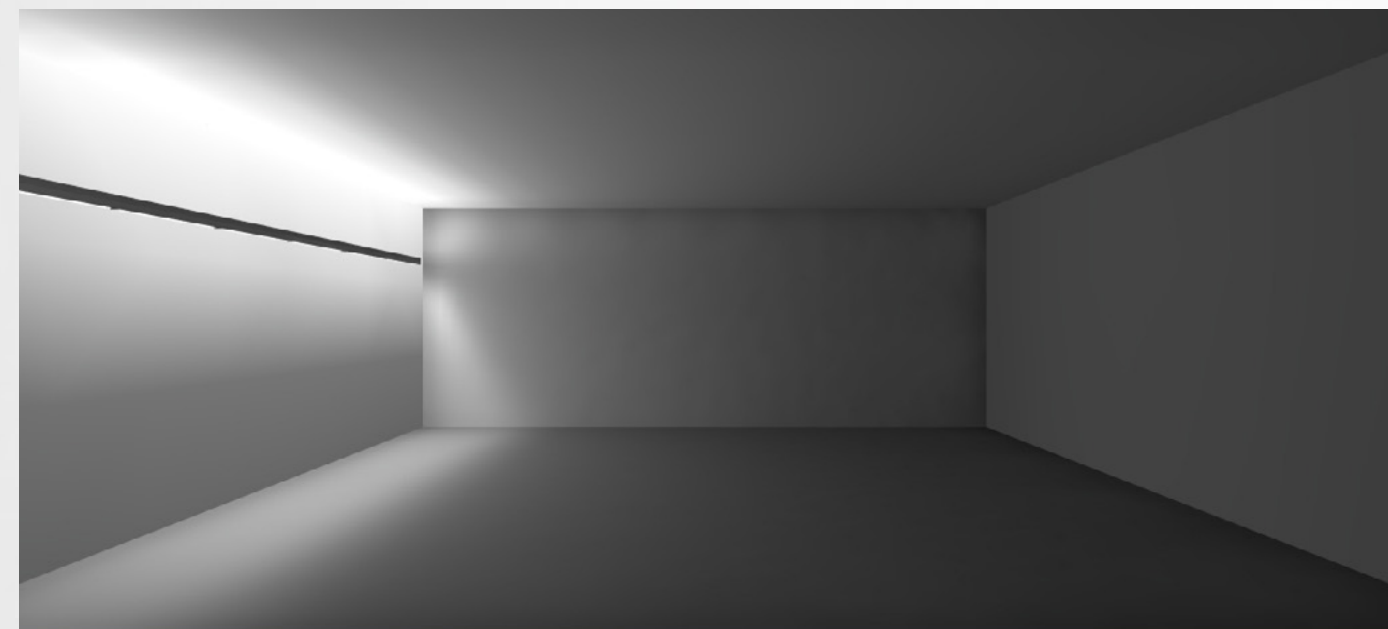
Opal Lens:

The opal acrylic lens minimizes glare and enhances visual comfort while uniformly dispersing light.



Asymmetric:






Skew the light toward specific tasks, like illuminating walls, thereby enhancing the ambient lighting.

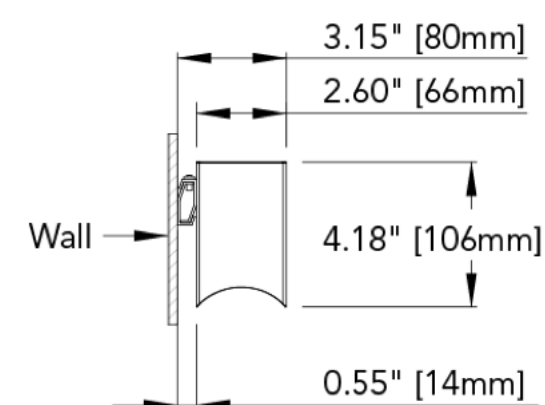
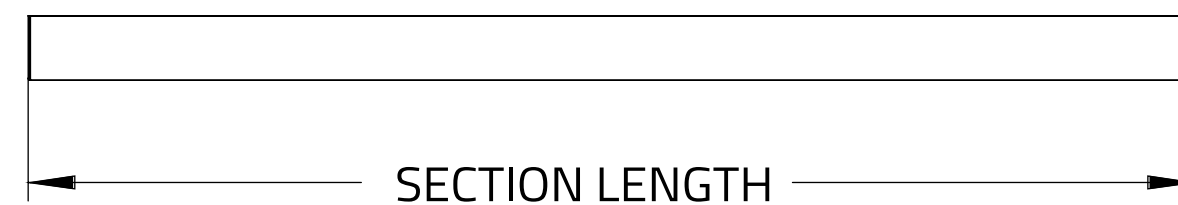


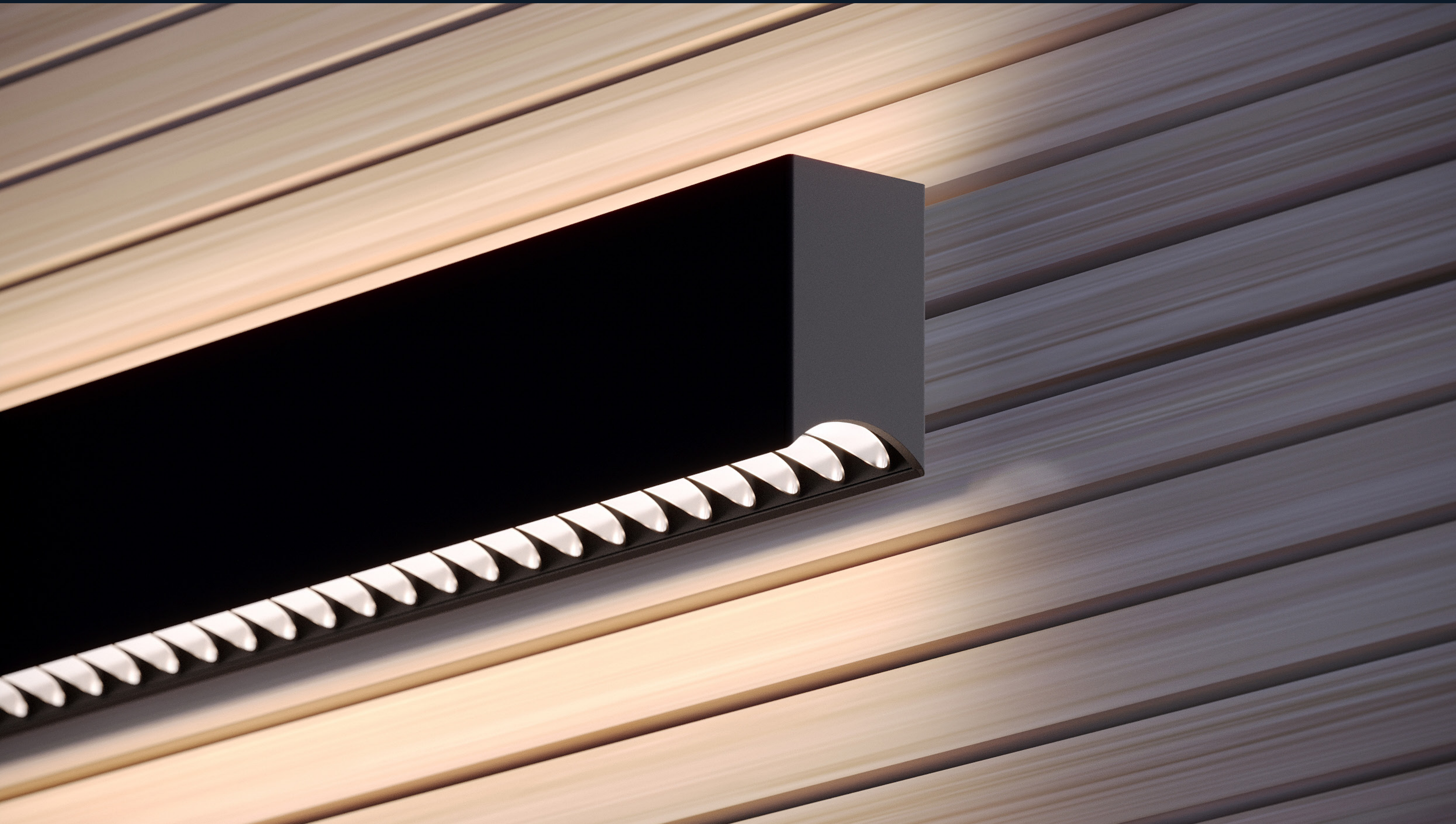
DIMENSIONS

Ooooh Linear Wall can be configured as a continuous run up to 50' on a single circuit. Start with a minimum length of 4' and add increments of 2ft. For 6 inch increments, consult factory.

Section Lengths

4 FT (1220mm)	
6 FT (1829mm)	
8 FT (2438mm)	
10 FT (3048mm)	
12 FT (3658mm)	





IMBUE DECORATIVE CHARM

The ellipsoidal louver system of OOOOH brings forth a captivating touch of charm with a subtle yet enduring decorative element.



SUBTLE RADIANCE

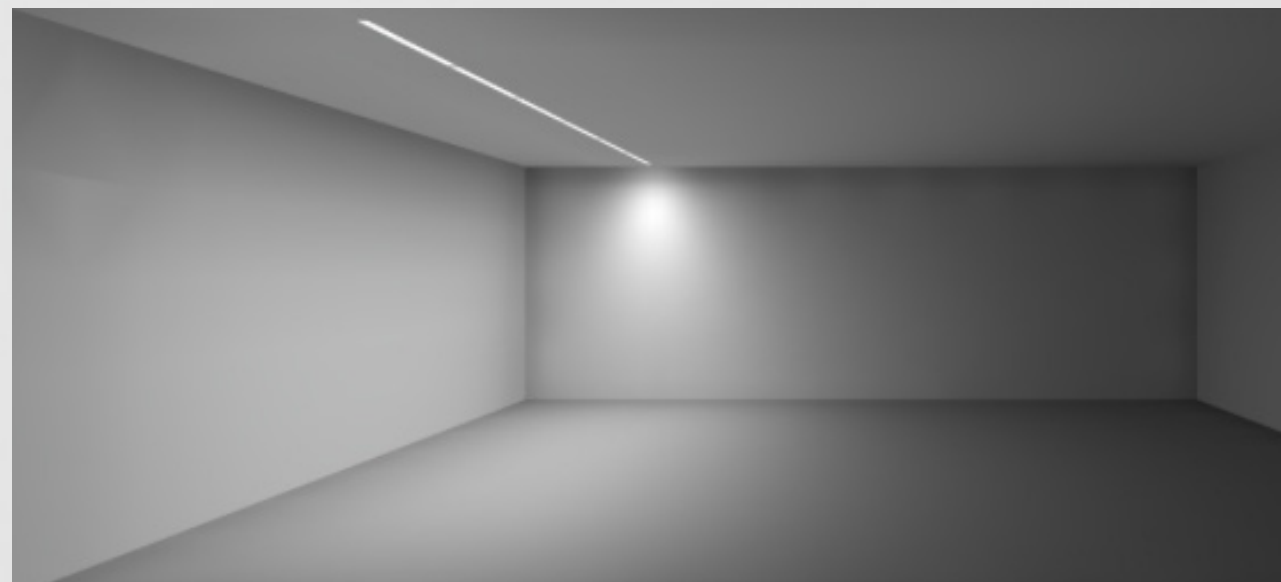
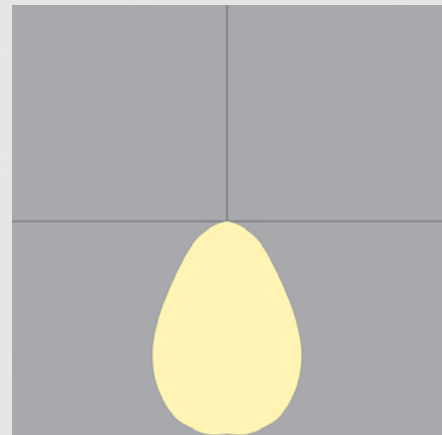
Wallwash with soft, glare-free light, enhancing architectural details without overshadowing the overall ambiance, ensuring lasting impressions.



RECESSED

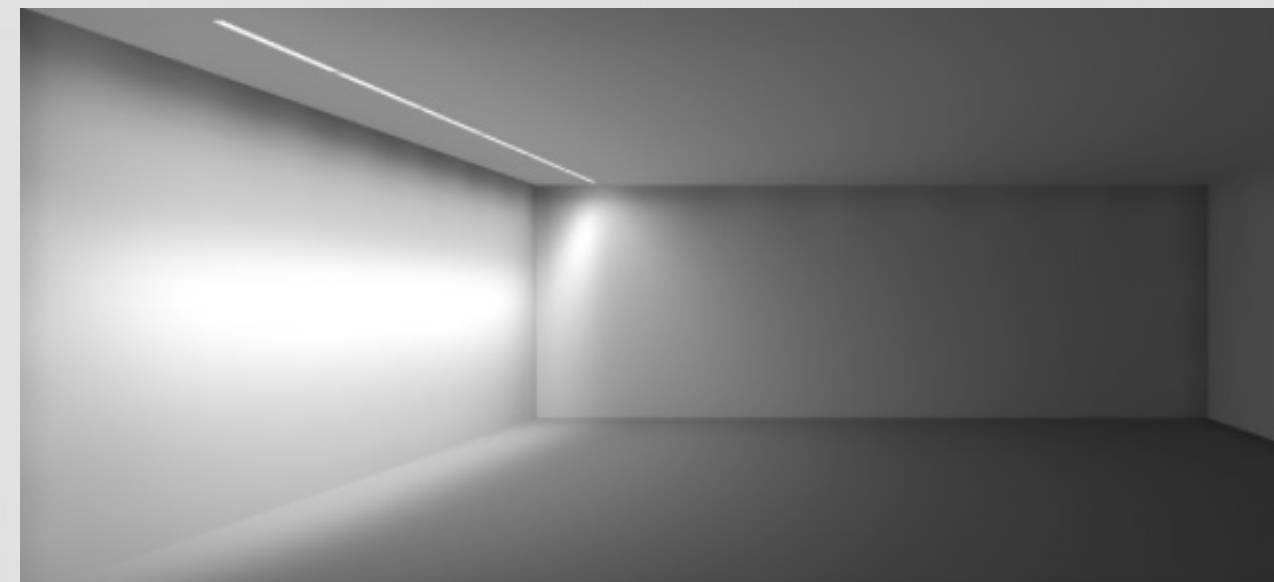
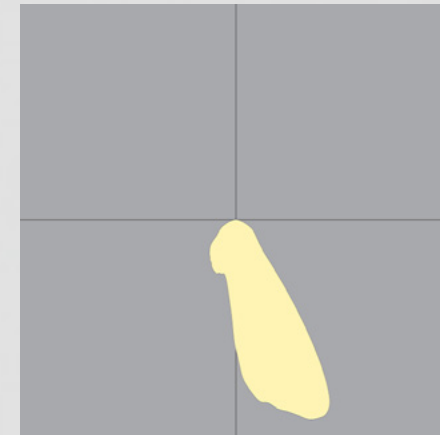
The Oooh louver transforms a functional light into a luxurious design feature.

RECESSED OPTICS



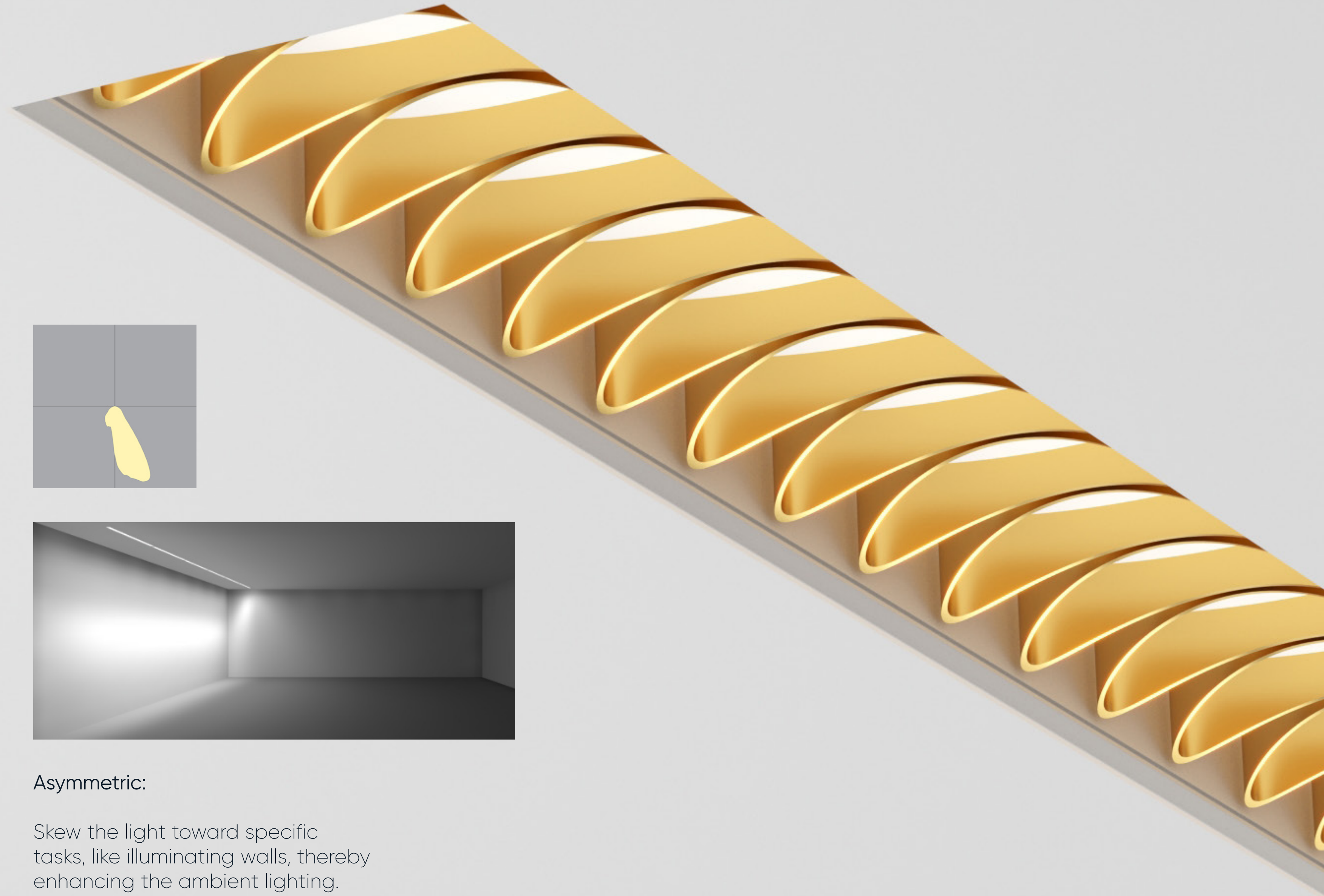
Comfort Lens:

Frosted acrylic lens is engineered to provide better light control and softer distribution.



Asymmetric:

Skew the light toward specific tasks, like illuminating walls, thereby enhancing the ambient lighting.



TECHNICAL SPECIFICATIONS

Lumen packages:

Suspended 200 LM/FT to 1400 LM/FT, 1600 LM/FT for indirect only

Recessed 200 LM/FT to 1200 LM/FT

Ceiling 200 LM/FT to 1300 LM/FT

Wall 200 LM/FT to 1300 LM/FT, 1600 LM/FT for indirect only

CCT: 3000K, 3500K, 4000K, BIOS, Tunable White available upon request.

CRI: 80+ or 90+

Circuits: Single & Dual (Suspended and Wall Only)

Emergency:

Integral

Emergency generated circuit

Dimming (Integral Drivers):

0-10V Dimming @ 1% and 0.1%

Dali Dimming @ 1% and 0.1%

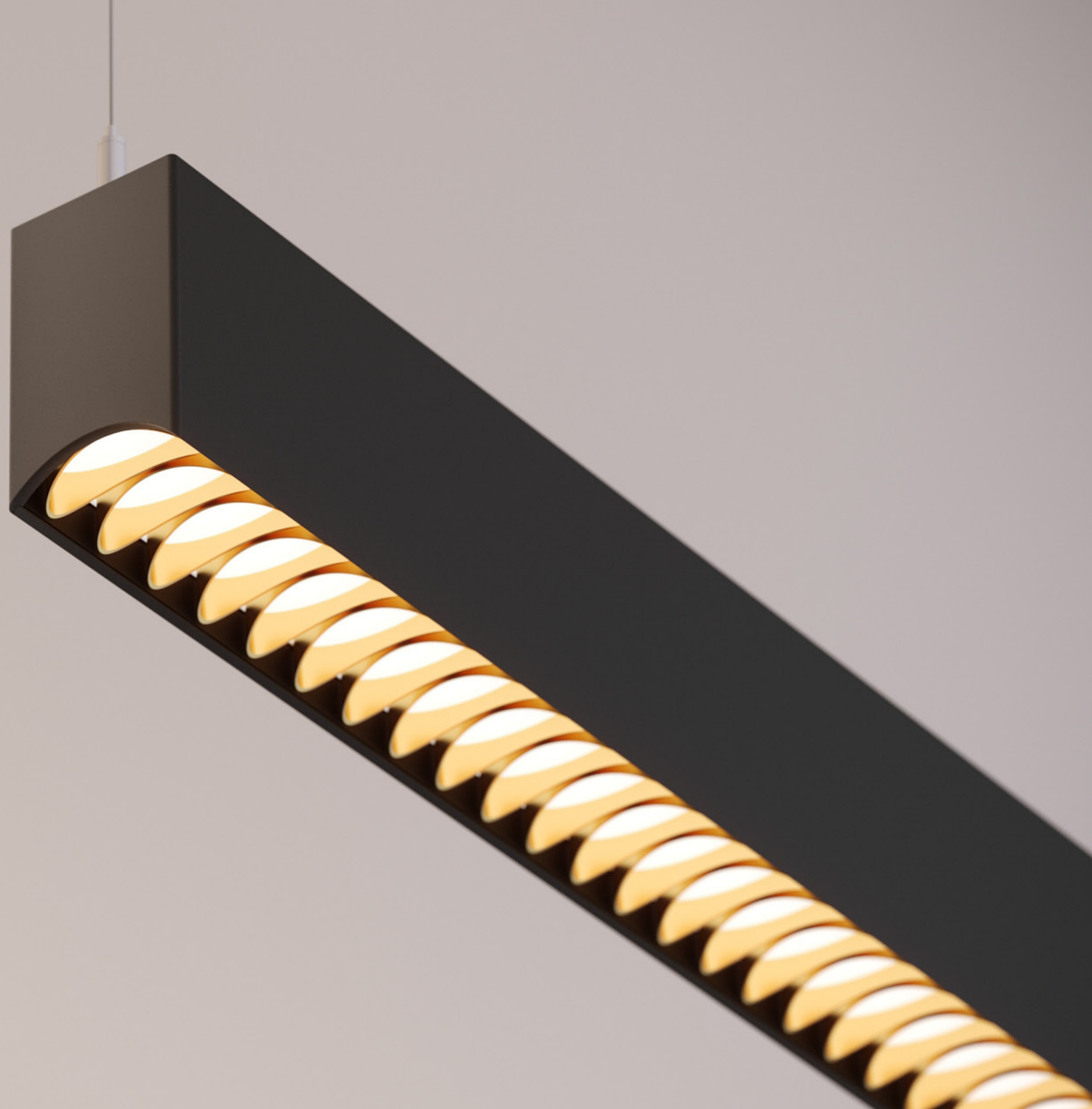
DSI/switchDim

PoE

Sensors: Compatible with Avi-On, Casambi, Enlighted, Lutron Vive, nLight, NX Lighting Controls, Osram, Philips, and others. Consult factory.

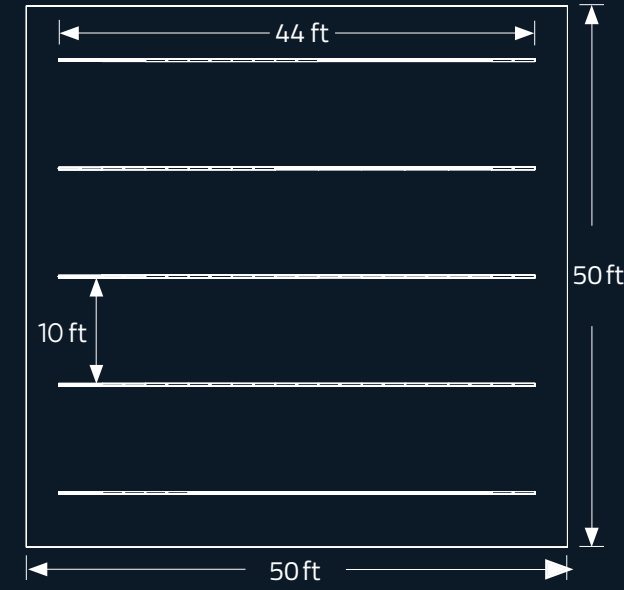
Design

US Pat. No. D969,395



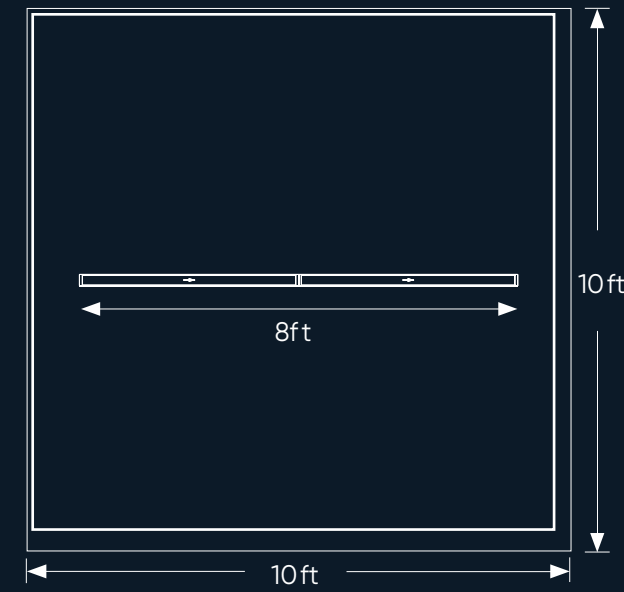
RECESSED

USE CASE SCENARIOS



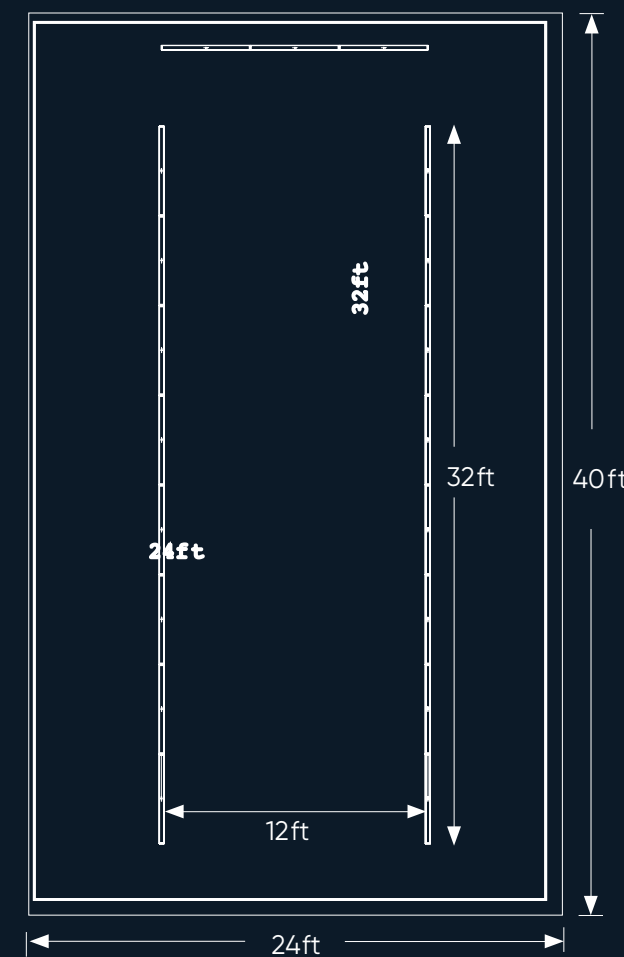
OPEN PLAN OFFICE SPACE DD4 Comfort Lens- White Louver with 600lm/ft

Room size:	50' x 50'	Workplane 30" above finished floor (fc level):	53
Ceiling height:	9'	Workplane uniformity max to min:	1.3:1
Reflectances:	80/50/20	Watt sq/ft:	0.4
Light loss factor:	1.0		



SINGLE OFFICE SPACE DD4 Comfort Lens- White Louver with 600lm/ft

Room size:	10' x 10'	Workplane 30" above finished floor (fc level):	40
Ceiling height:	9'	Watt sq/ft:	0.41
Reflectances:	80/50/20		
Light loss factor:	1.0		



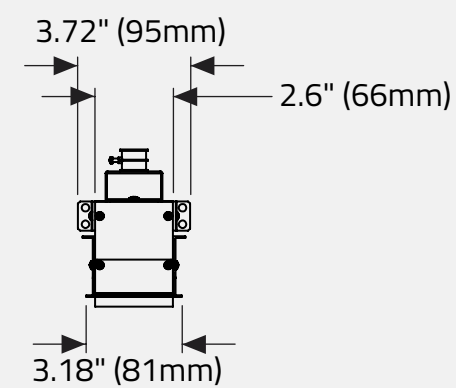
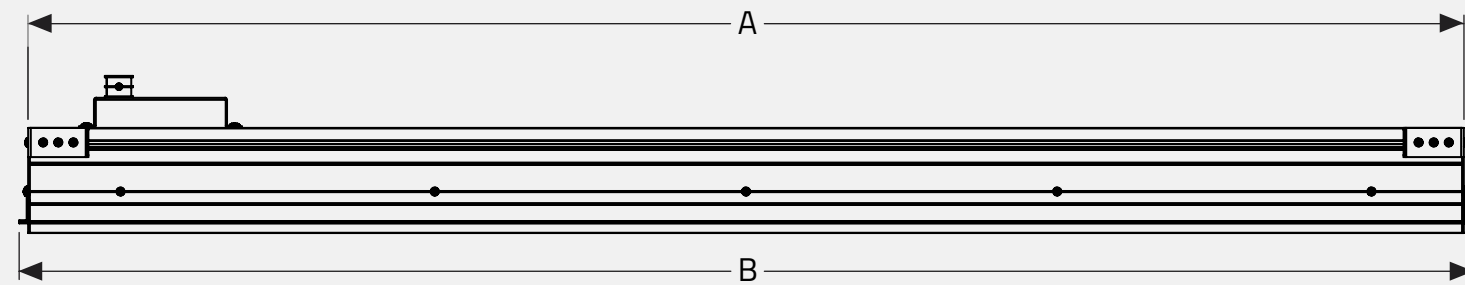
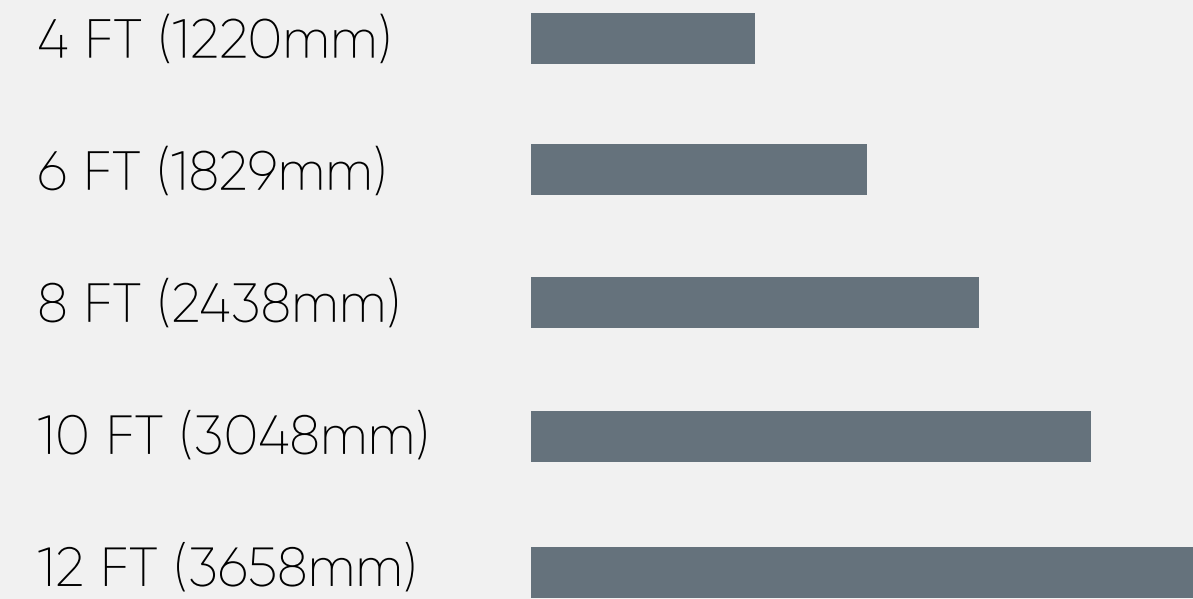
CORRIDOR DD4 Comfort Lens- White Louver with 400lm/ft

Room size:	40'x5'	Finished floor (fc level):	19
Ceiling height:	9'	Watt sq/ft:	0.34
Reflectances:	80/50/20		
Light loss factor:	1.0		

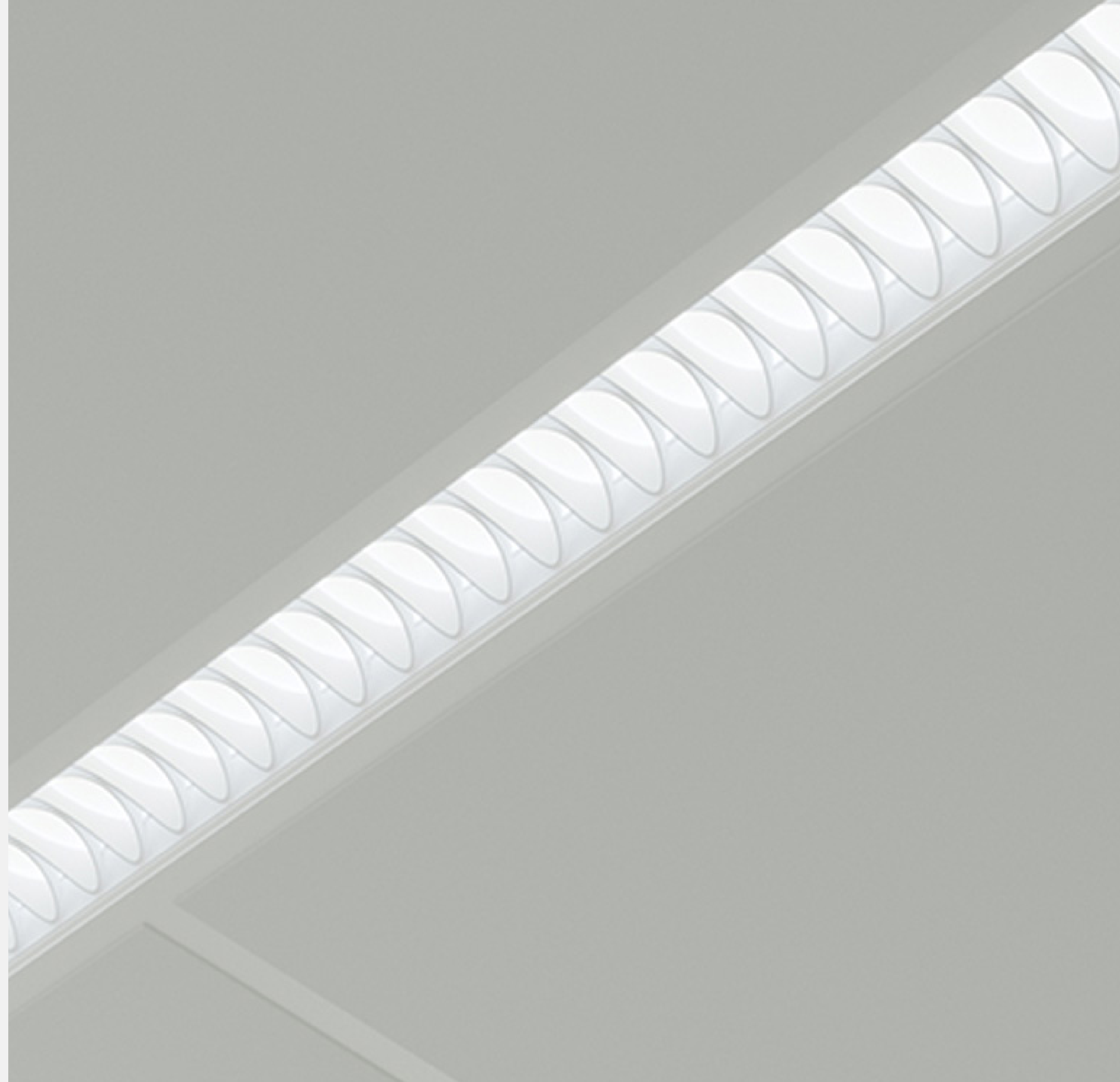
DIMENSIONS

Oooh Linear Recessed can be configured as a continuous run up to 50' on a single circuit. Start with a minimum length of 4' and add increments of 2ft. For 6 inch increments, consult factory.

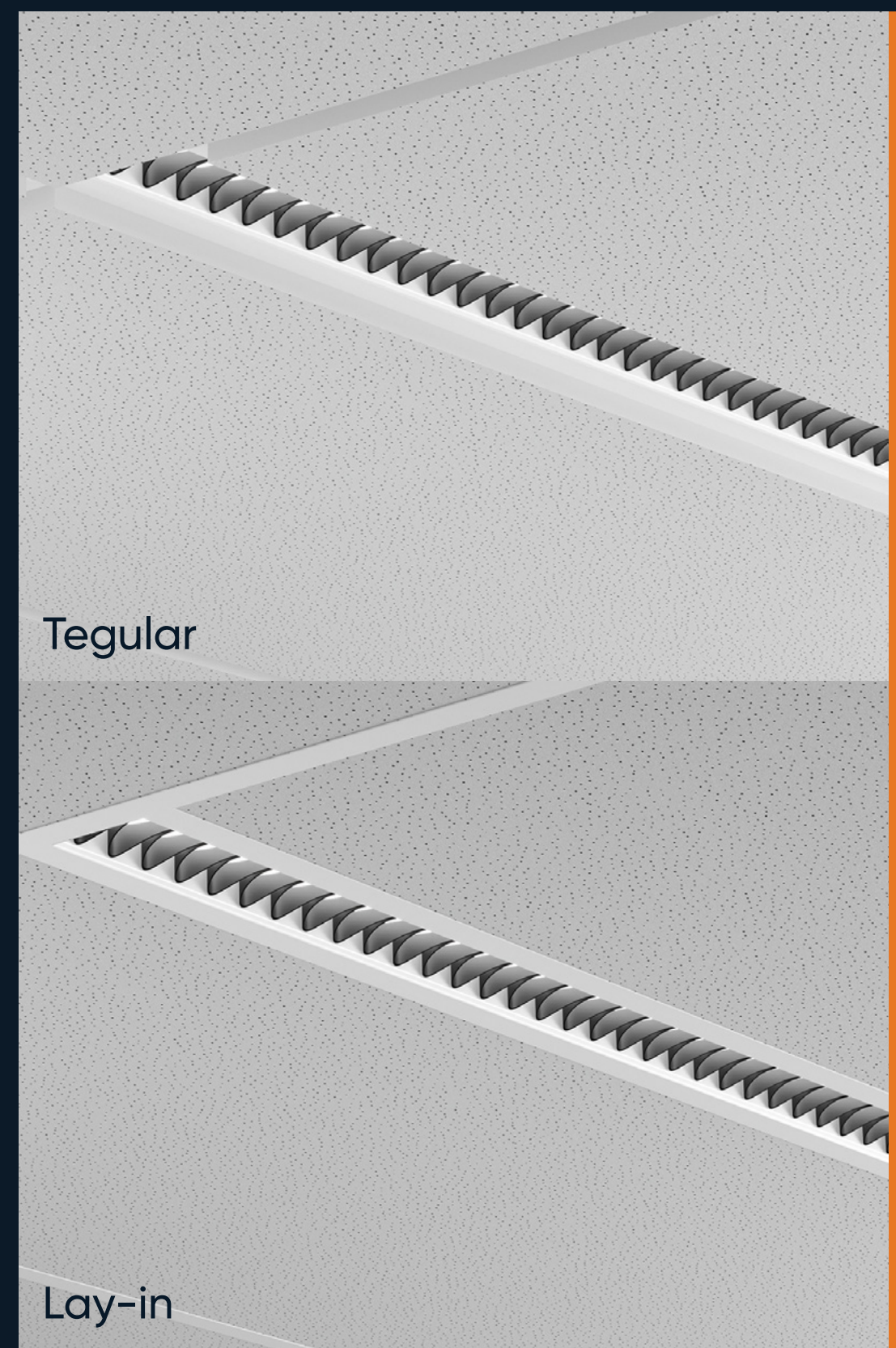
Section Lengths



Section Lengths	A	B
4ft	46.82" (1189mm)	47.7" (1212mm)
6ft	70.82" (1791mm)	71.7" (1821mm)
8ft	94.82" (2408mm)	95.7" (2431mm)
10ft	118.82" (3018mm)	119.7" (3040mm)
12ft	142.82" (3627mm)	143.7" (3650mm)



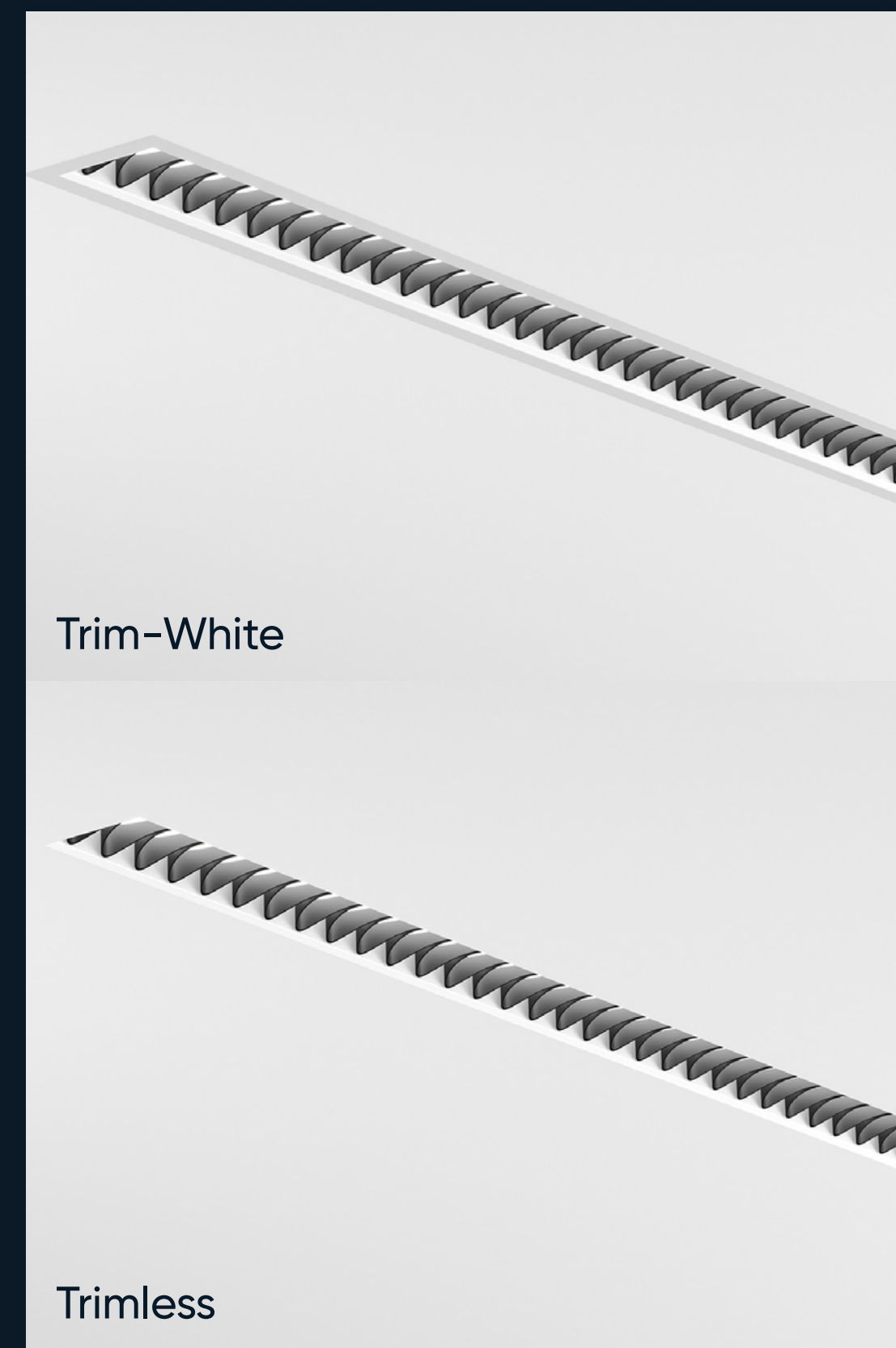
CEILING TYPES & TRIMS



1

GRID CEILING

Comes with combo kit which includes installation to T-bar and through tile mount.



2

HARD CEILING

Suitable for installation in both drywall and concrete ceilings.

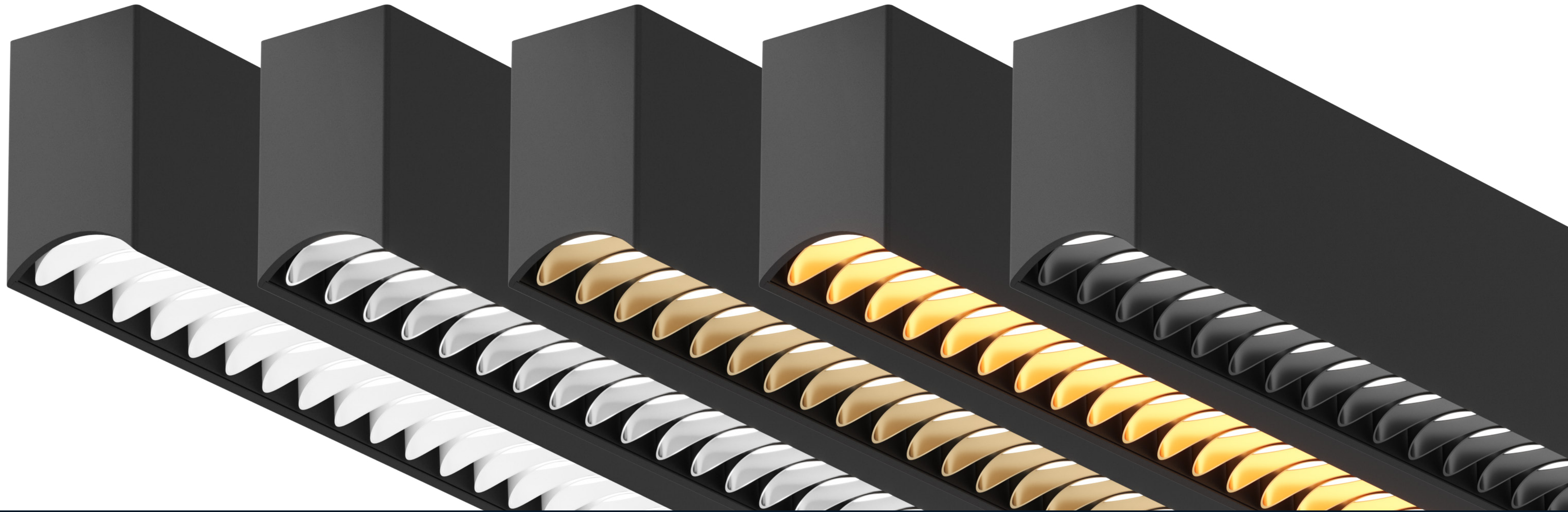


HOUSING FINISHES

- Black Metallic Textured
- Bronze Metallic Textured
- Midnight Blue Metallic Textured
- Charcoal Metallic Textured
- Red Metallic Textured
- Gold Metallic
- Champagne Metallic
- Copper Metallic
- Silver Metallic Textured
- White
- Wood Grain – Light Cherry
- Wood Grain – Dark Walnut
- Wood grain – White Oak



LOUVER FINISHES



WHITE

SATIN
CHROME

SATIN
CHAMPAGNE

SATIN
GOLD

BLACK



QUAD

Harnessing the power of rectangles, Oooh Quad brings balance and definition to interiors, ideal for creating grid effects with aesthetic enhancement.



TECHNICAL SPECIFICATIONS

Lumen packages:

200 LM/FT to 1200 LM/FT, 1600 LM/FT for indirect only

CCT:

3000K, 3500K, 4000K, BIOS, Tunable White upon request.

CRI:

80+ or 90+

Circuits:

Single & Dual

Emergency:

Integral,
Emergency generated circuit

Dimming (Integral Drivers):

0-10V Dimming @ 1% and 0.1%

Dali Dimming @ 1% and 0.1%

DSI/switchDim

PoE

Sensors:

Compatible with Avi-On, Casambi, Enlighted, Lutron Vive,
nLight, NX Lighting Controls, Osram, Philips, and others.

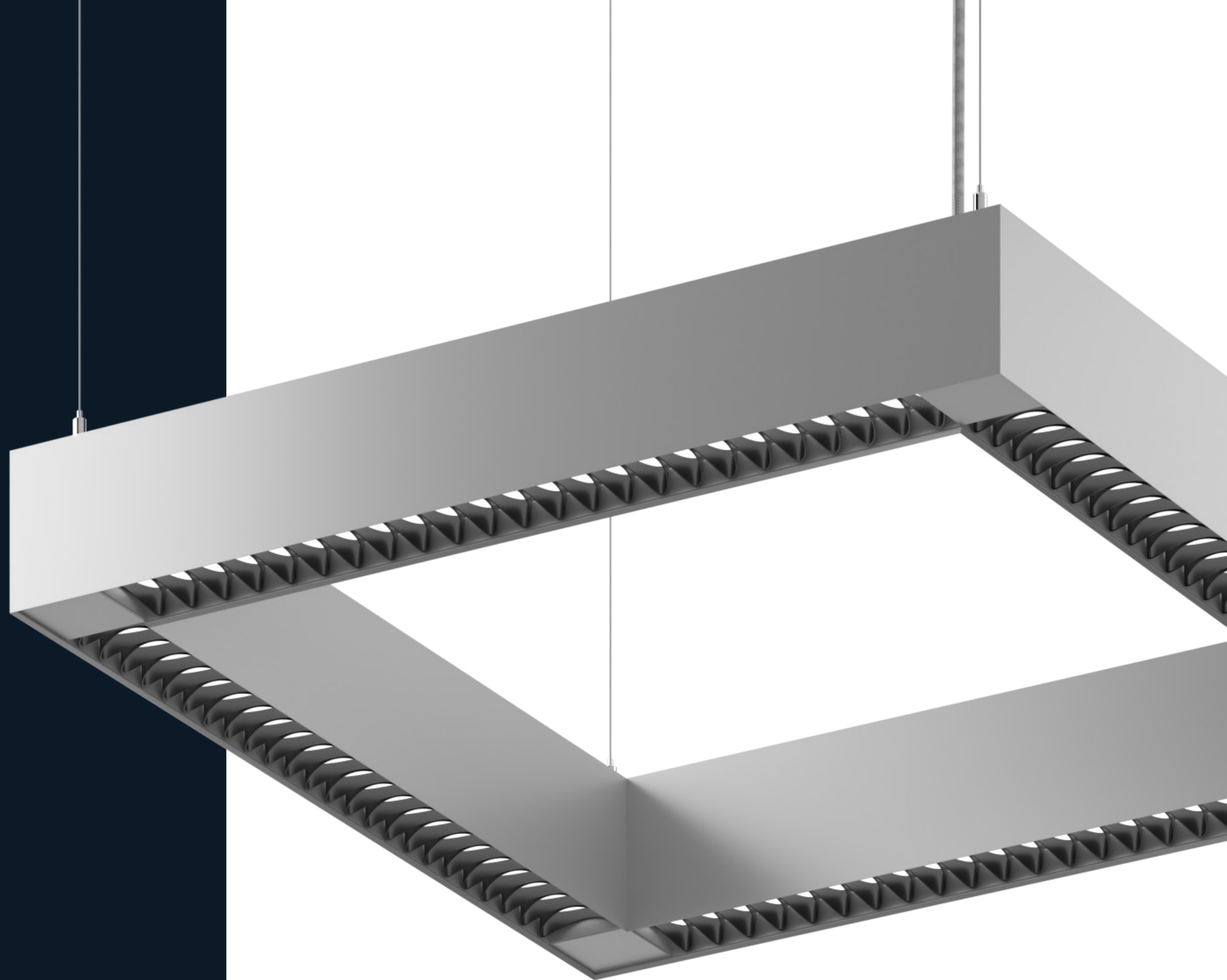
Consult factory.

Design

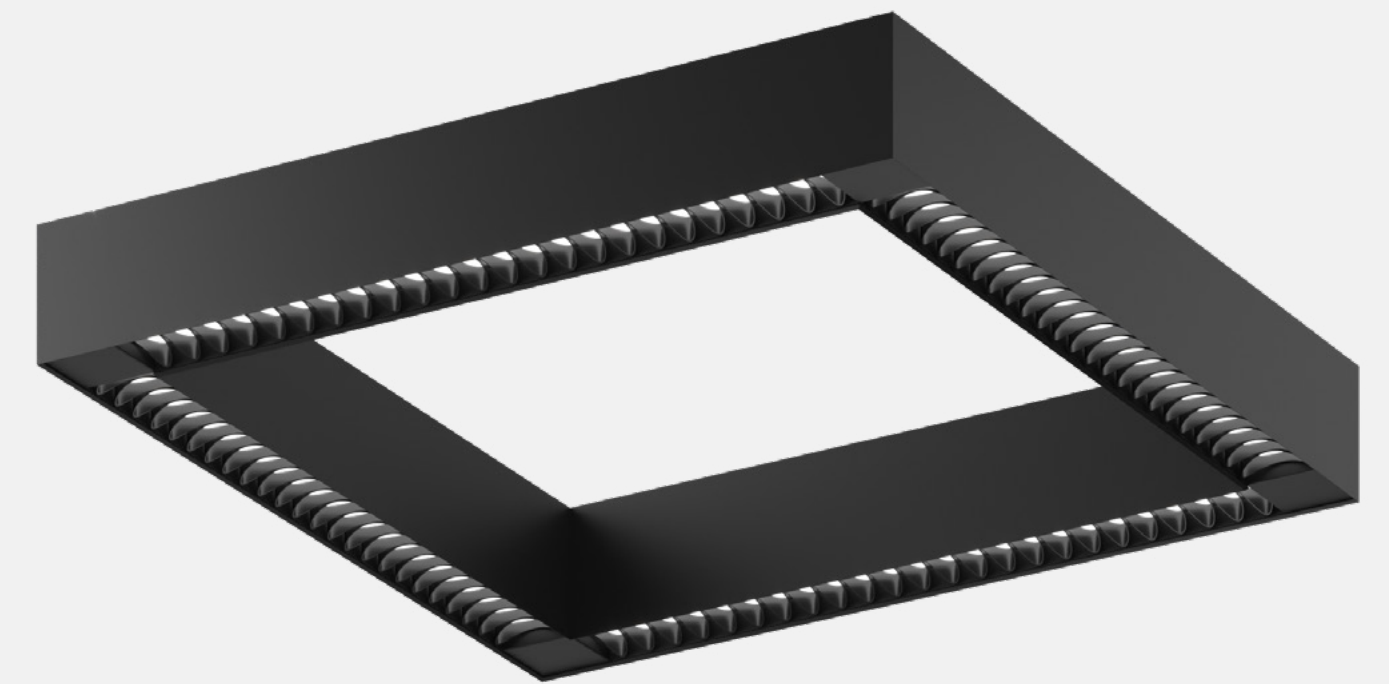
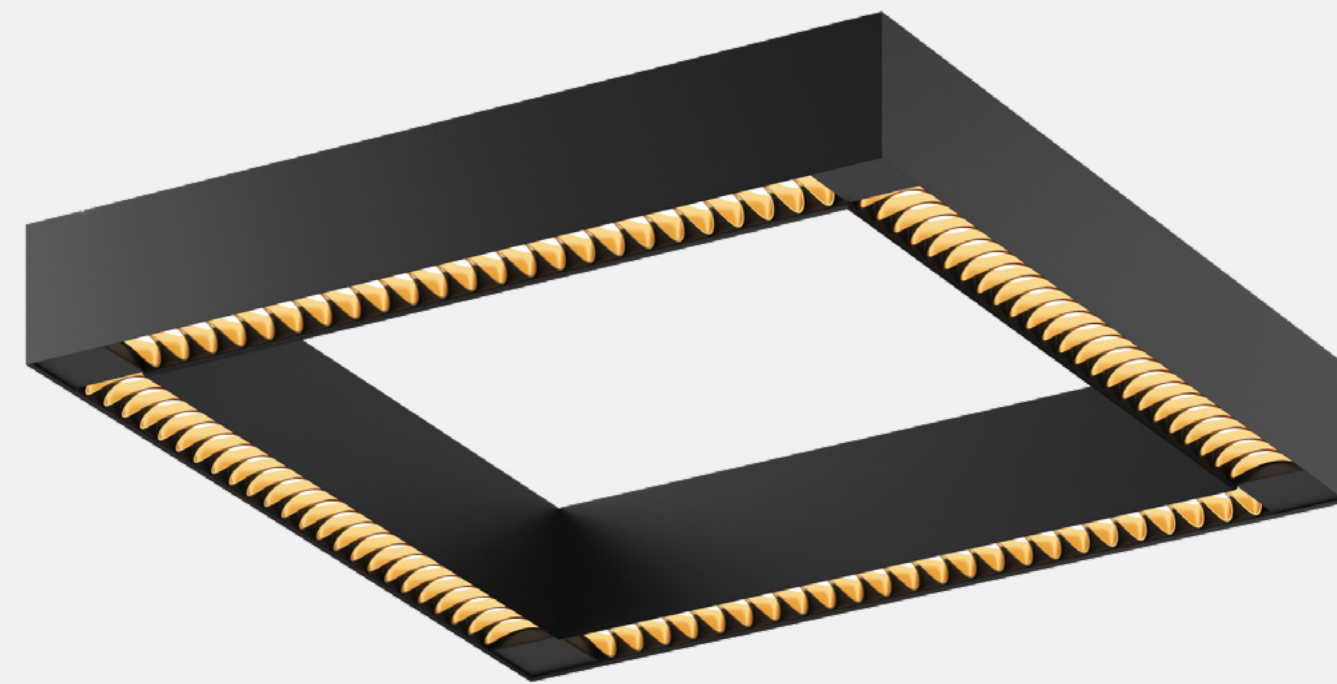
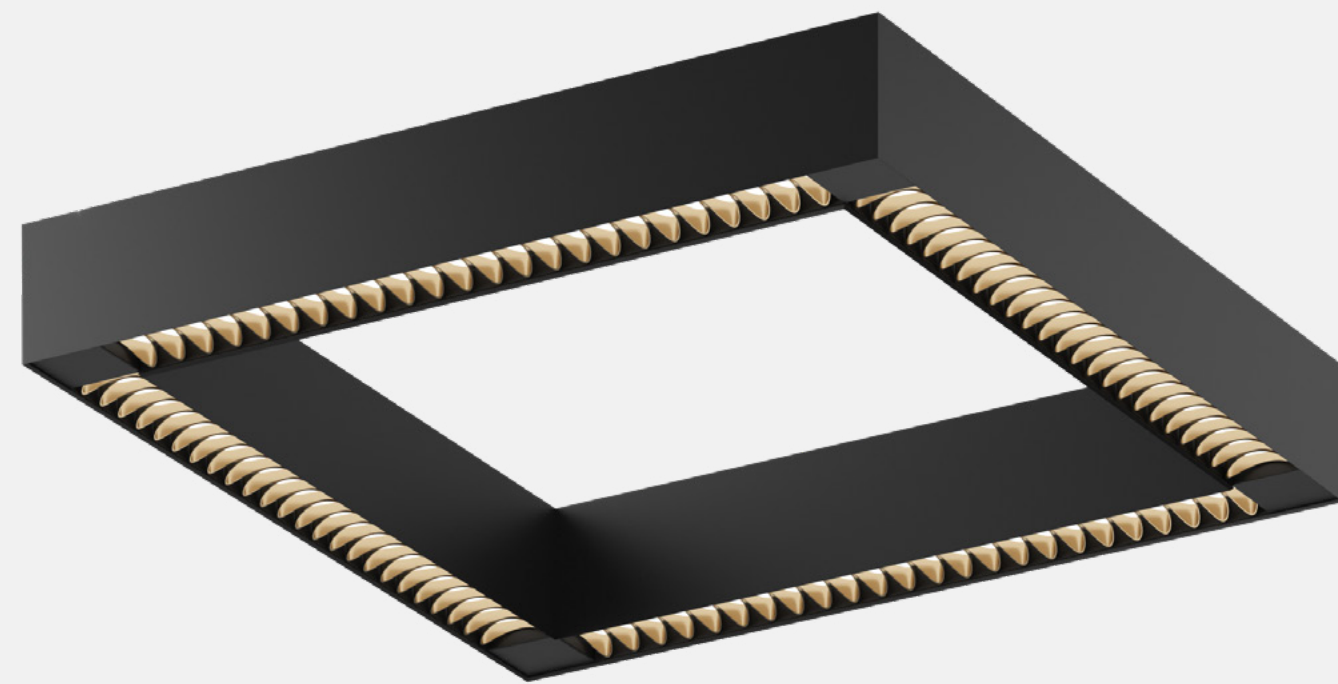
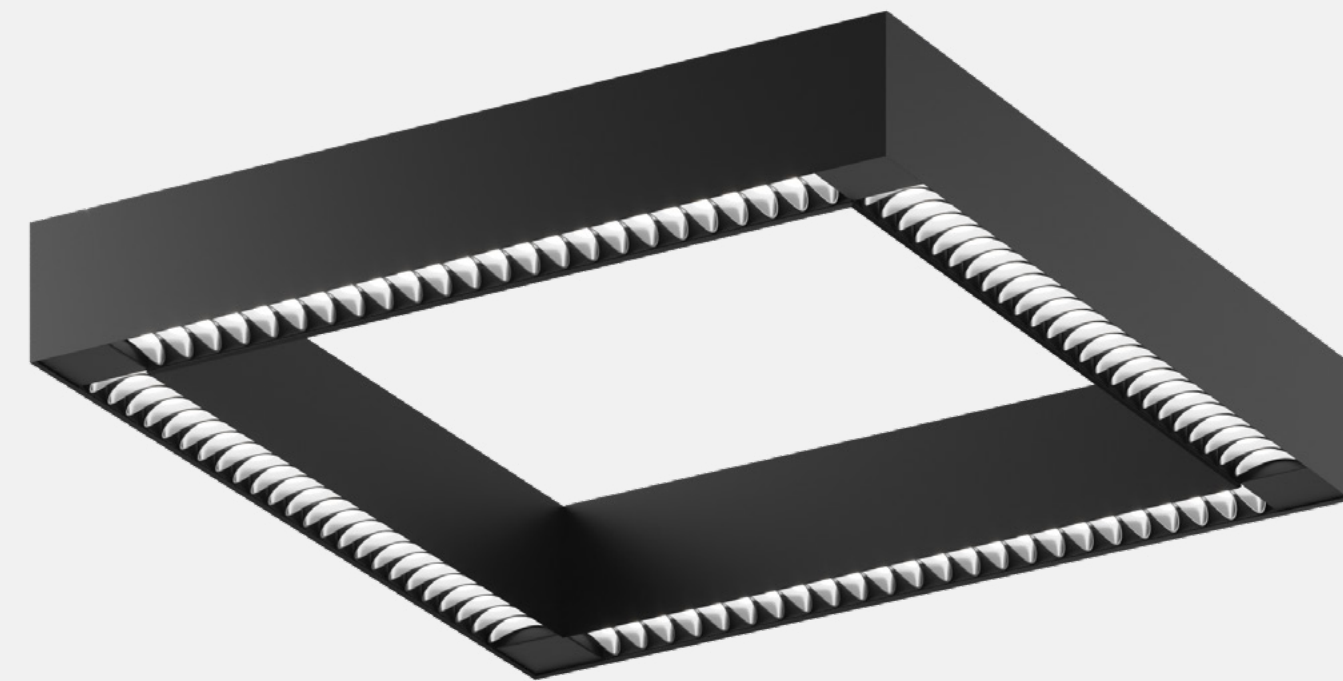
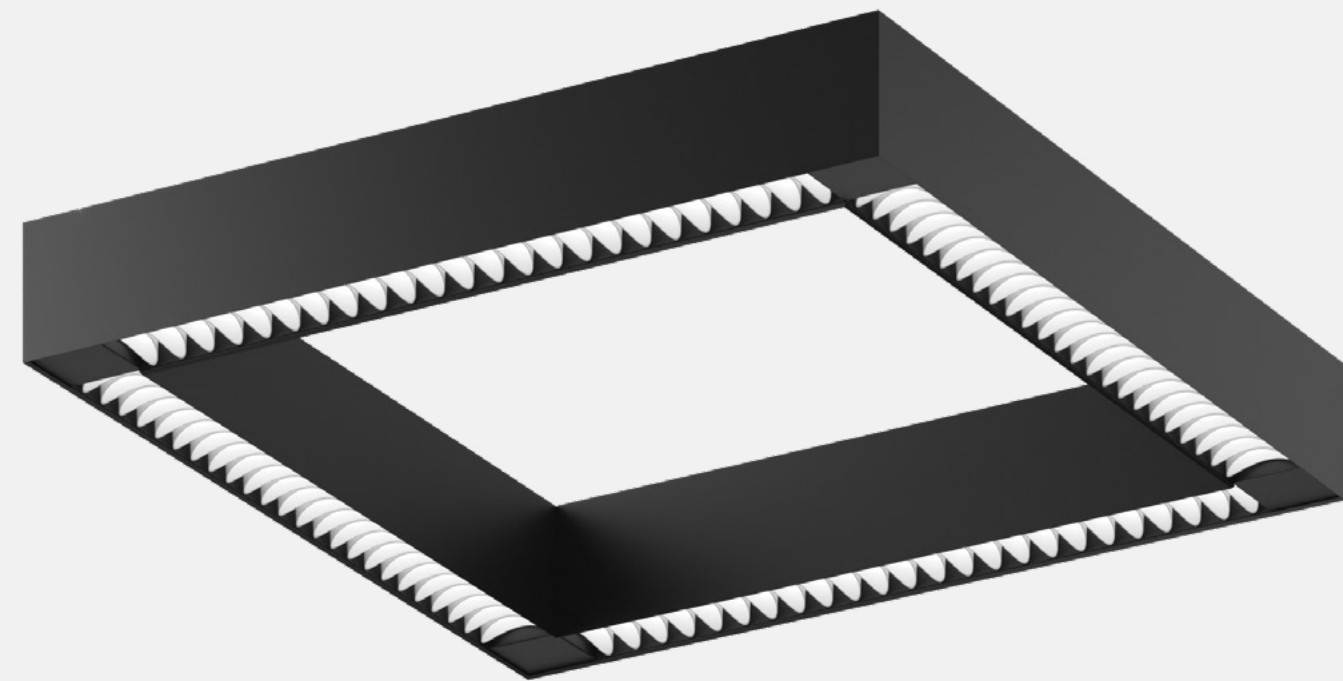
US Pat. No. D969,395

HOUSING FINISHES

- Black Metallic Textured
- Bronze Metallic Textured
- Midnight Blue Metallic Textured
- Charcoal Metallic Textured
- Red Metallic Textured
- Gold Metallic
- Champagne Metallic
- Copper Metallic
- Silver Metallic Textured
- White
- Wood Grain – Light Cherry
- Wood Grain – Dark Walnut
- Wood grain – White Oak



LOUVER FINISHES



SATIN
CHAMPAGNE

WHITE

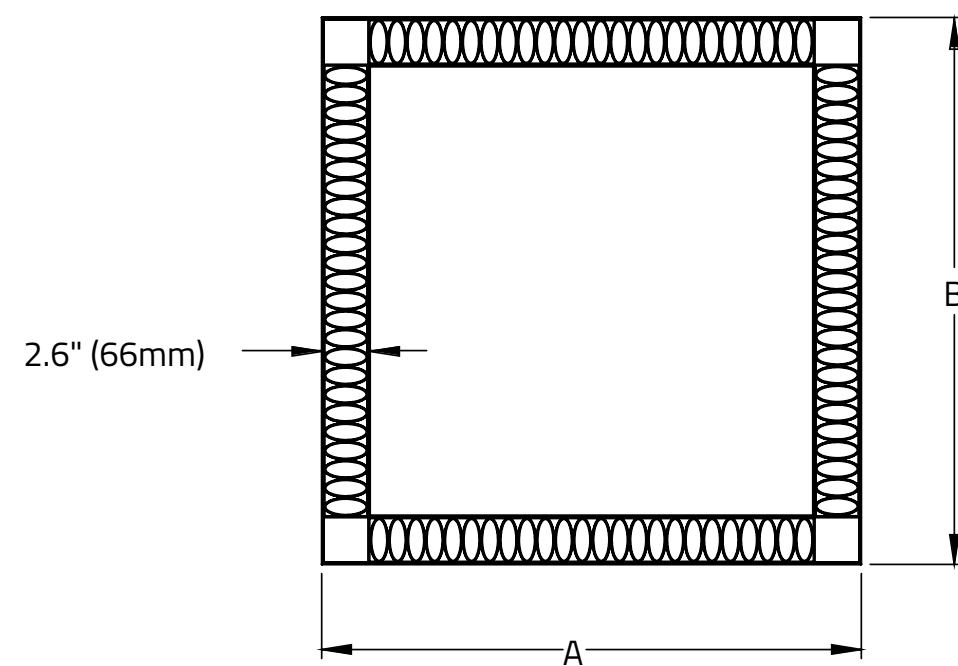
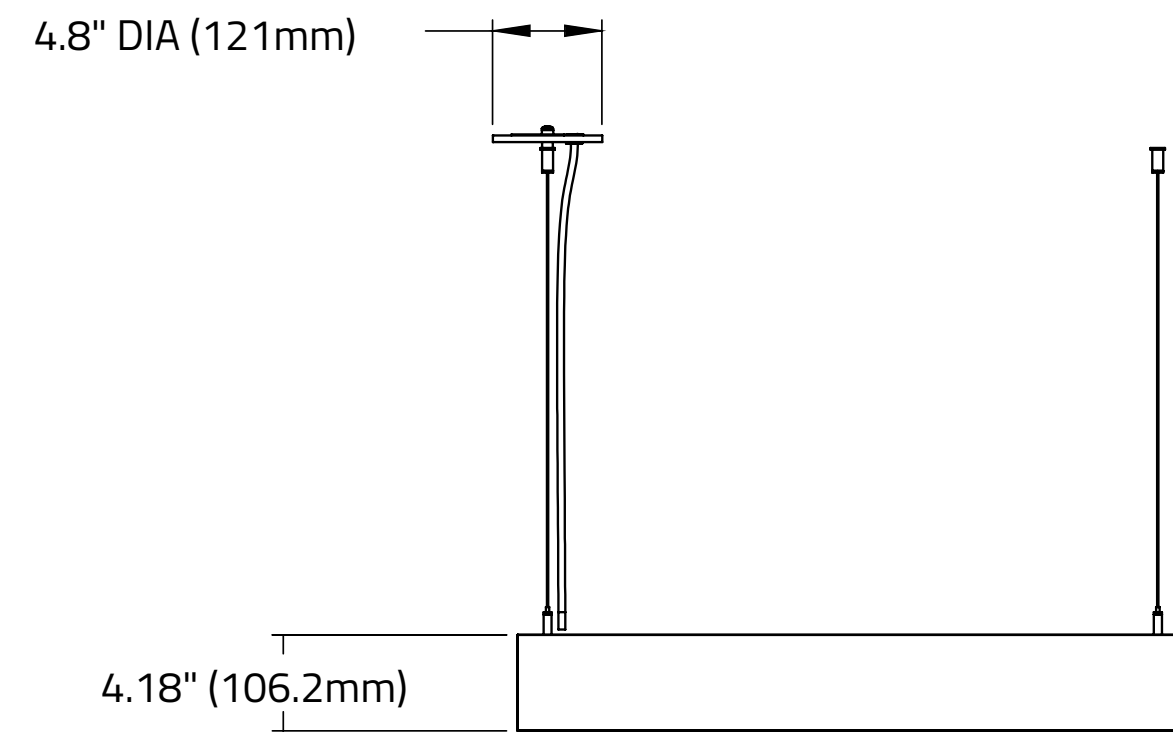
SATIN
GOLD

SATIN
CHROME

BLACK

DIMENSIONS

The Ooooh Quad comes in three sizes, with the option to configure larger dimensions using the Ooooh Systems. Please consult with the factory about your requirements.



A	B
29.19" (741.4mm)	29.19" (741.4mm)
53.19" (1351.0mm)	53.19" (1351.0mm)
29.19" (741.4mm)	53.19" (1351.0mm)





Embrace the familiarity of this geometric form, evoking a sense of grounded sophistication while infusing spaces with structured elegance.

RING

The OOOH louver design refashions the perennial classic ring into a lighting masterpiece, redefining its classic architectural allure.

G

Z

I

R



TECHNICAL SPECIFICATIONS

Lumen packages:

Direct: 200 LM/FT to 900 LM/FT

Indirect: 300 LM/FT to 1100 LM/FT

CCT:

3000K, 3500K, 4000K

CRI:

80+ or 90+

Circuits: Single & Dual (Suspended Only)

Emergency:

Remote

Dimming (Remote Drivers):

0-10V Dimming @ 1% and 0.1%

Dali Dimming @ 1% and 0.1%

DSI/switchDim

Acoustic Panel:

MATERIAL: 100% recycled polyester fiber (PET).

THICKNESS: 12mm (0.5)

NRC RATING: 0.80

CLASS A FIRE RATING: ASTM E-84 material.

Sensors:

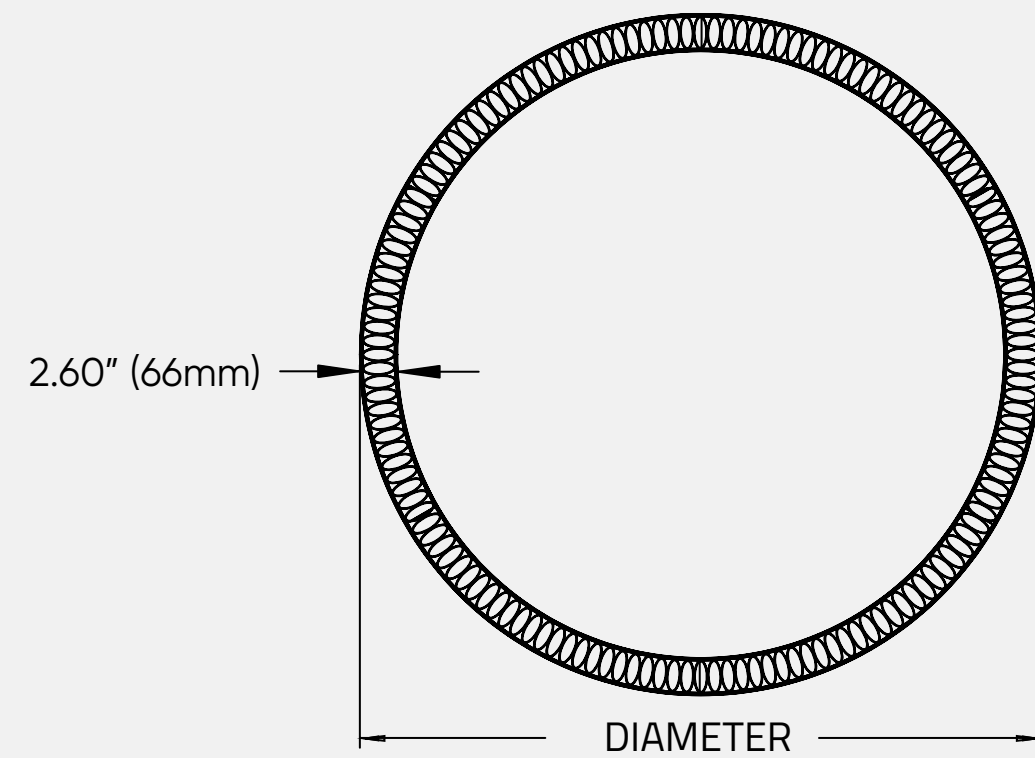
Consult factory regarding sensor compatibility.

Design:

US Patent Pending

DIMENSIONS

The Ooooh Ring is offered in six sizes, spanning 2 feet to 7 feet in diameter.

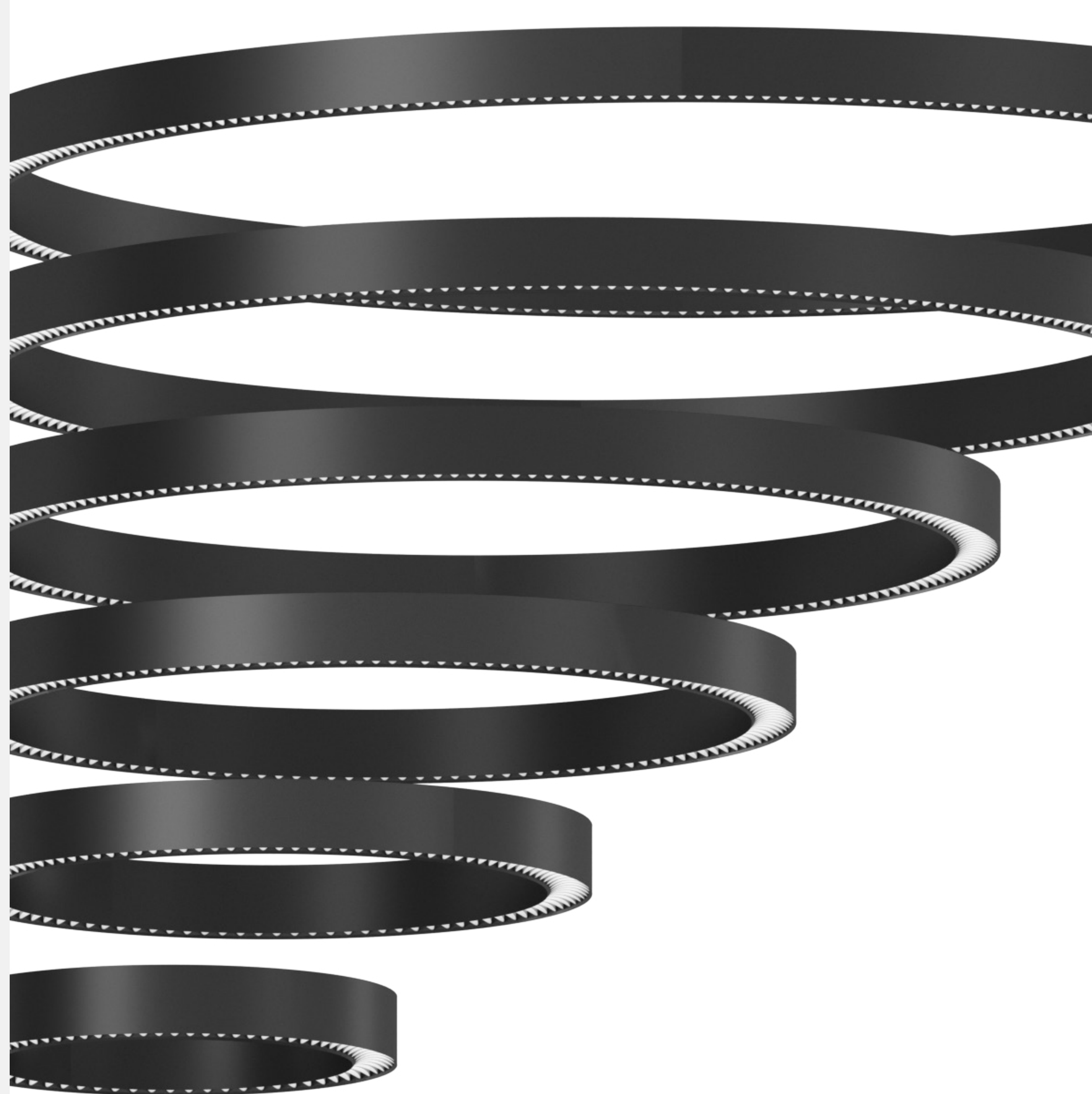
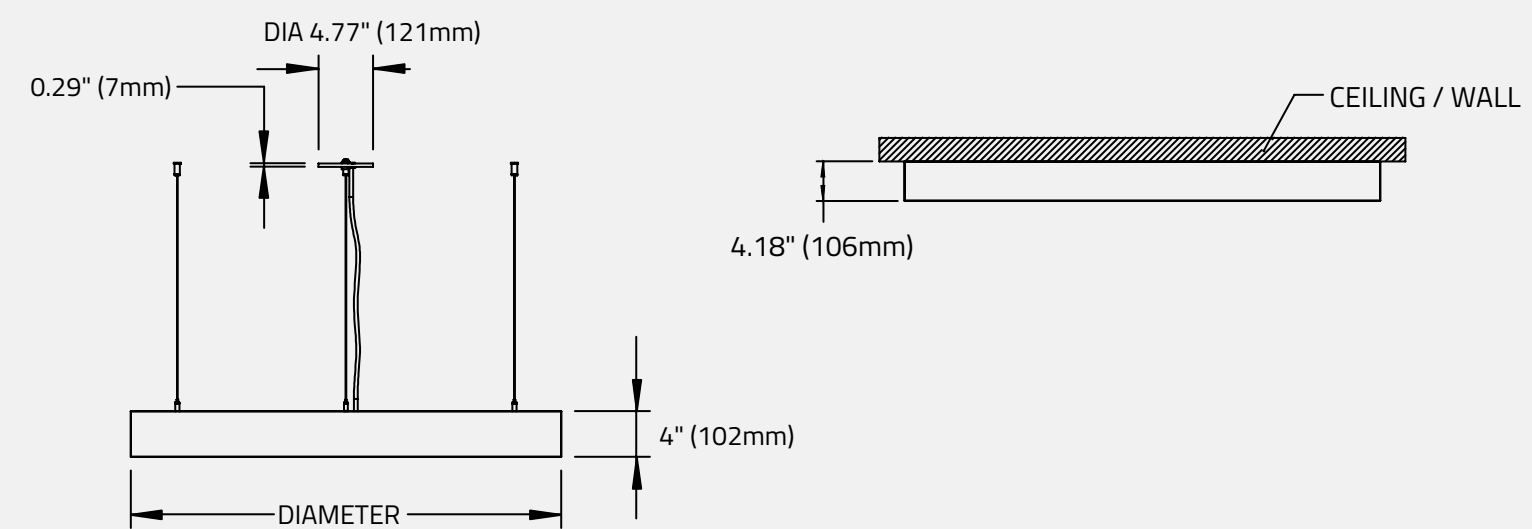


Suspended

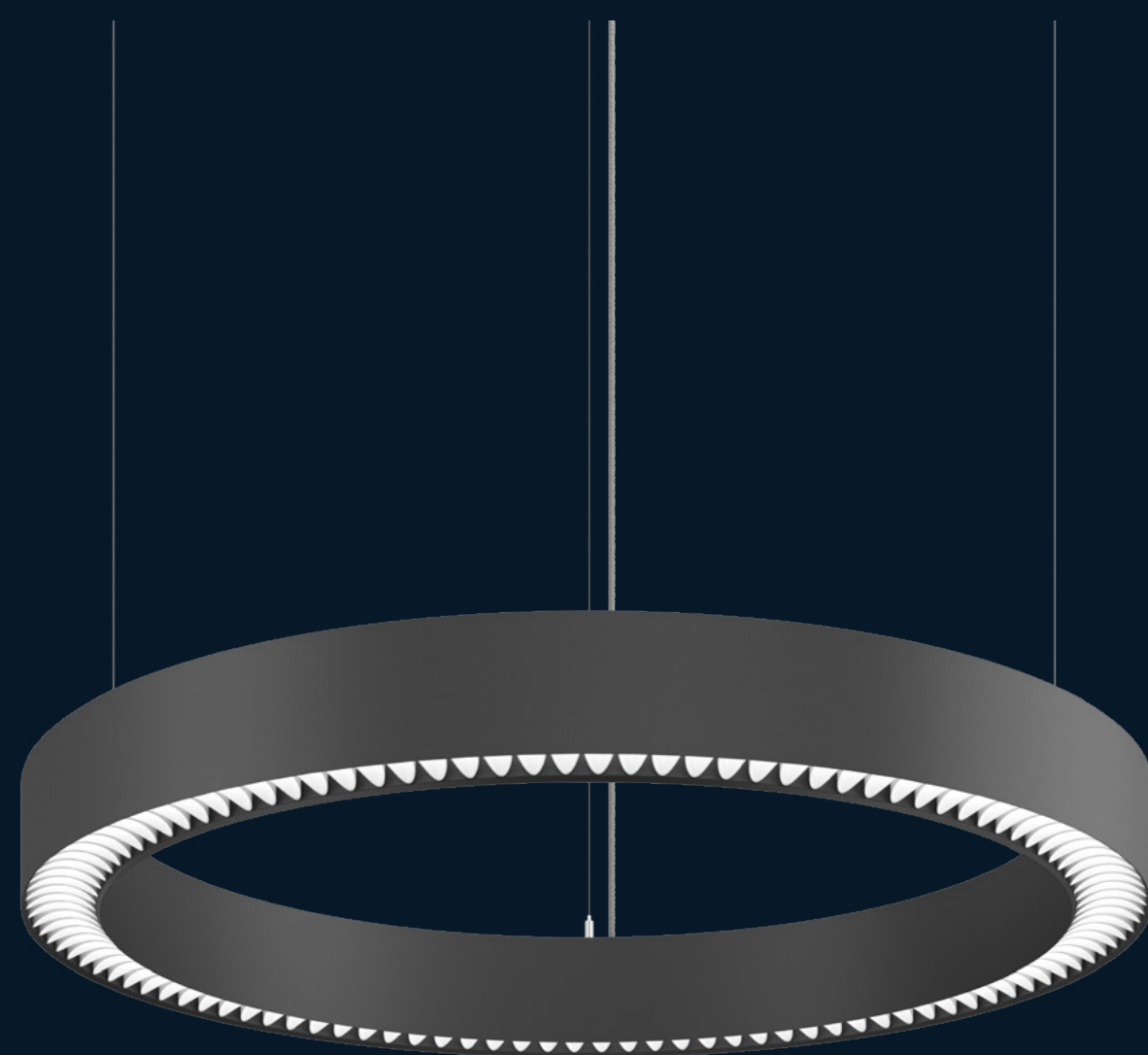
Diameter	In (mm)
2ft	26.22" (666mm)
3ft	37.68" (957mm)
4ft	49.60" (1260mm)
5ft	61.60" (1565mm)
6ft	73.60" (1869mm)
7ft	85.60" (2174mm)

Ceiling

Diameter	In (mm)
2ft	26.33" (669mm)
3ft	37.79" (960mm)
4ft	49.72" (1263mm)
5ft	61.72" (1568mm)
6ft	73.72" (1872mm)
7ft	85.72" (2177mm)



SUSPENSION SYSTEMS



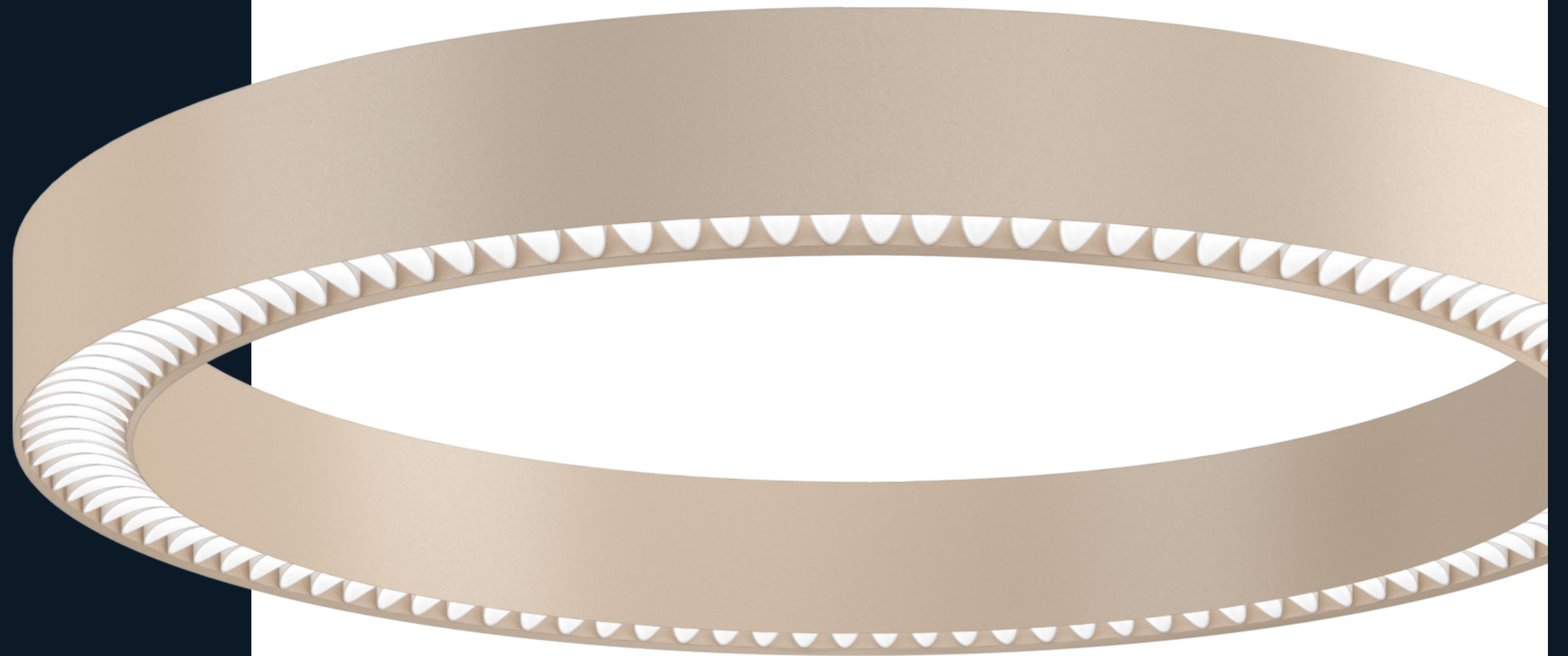
VERTICAL

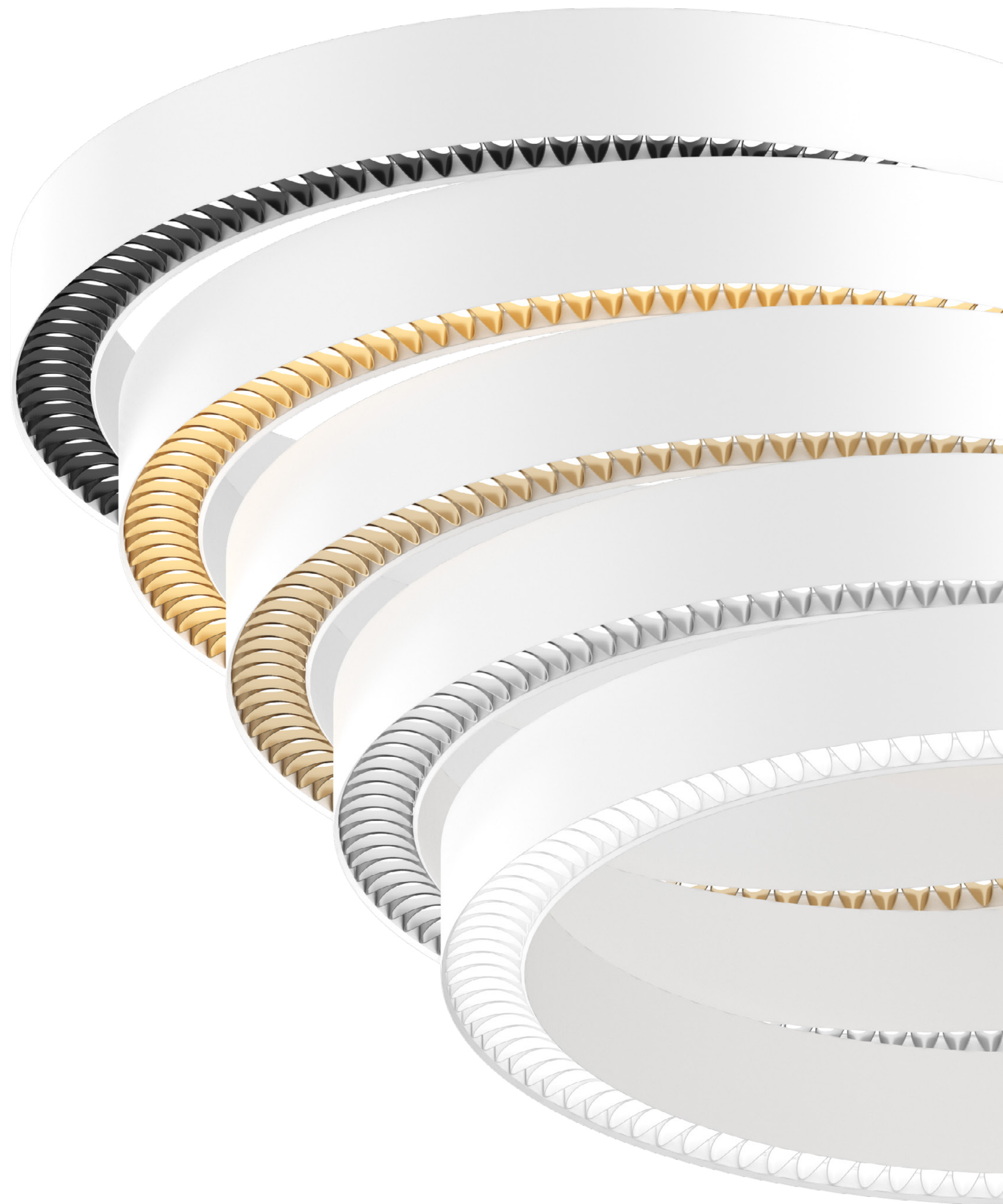


HUB

HOUSING FINISHES

- Black Metallic Textured
- Bronze Metallic Textured
- Midnight Blue Metallic Textured
- Charcoal Metallic Textured
- Red Metallic Textured
- Gold Metallic
- Champagne Metallic
- Copper Metallic
- Silver Metallic Textured
- White
- Wood Grain – Light Cherry
- Wood Grain – Dark Walnut
- Wood grain – White Oak





5 Louver Finishes

Black
Satin Gold
Satin Champagne
Satin Chrome
White





RING SURFACE

OOOH

The harmonious shape of the ellipsoidal louver elevates the ring to next-level perfection.

Glam up the ceiling with satinized louver finishes that enhance the interior design.



FUNCTIONAL BRILLIANCE

The Ooooh Ring Ceiling epitomizes refined design and exceptional functionality, offering a luminaire solution tailored for sophisticated interiors.

Ooooh Ring Acoustic

Ooooh Ring is available with an acoustic panel in 6 finishes, adding another decorative dimension to the aesthetic of the luminaire, along with effective sound-absorbing functionality.

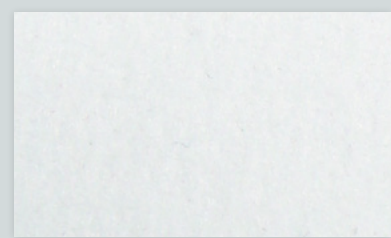


ACOUSTIC PANEL COLORS

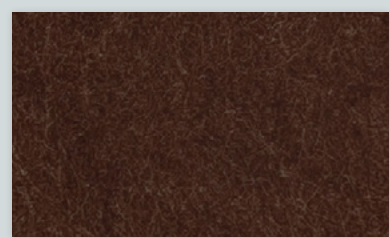
Custom options available to special order.



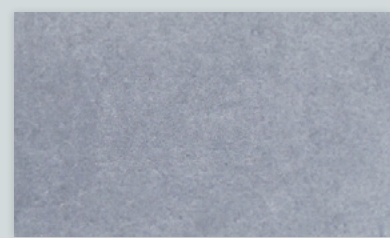
AP02
Citrus



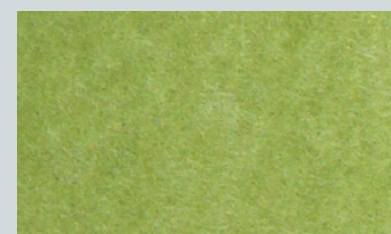
AP04
White



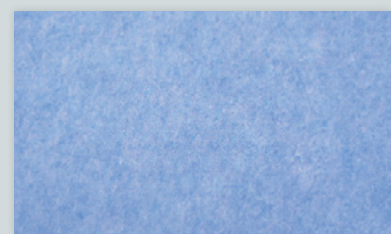
AP08
Red Coffee



AP11
Light Gray



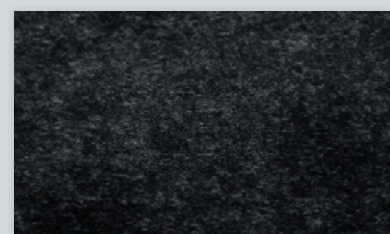
AP13
Apple Green



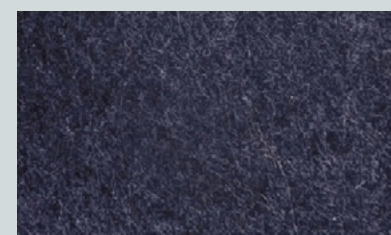
AP22
Blue



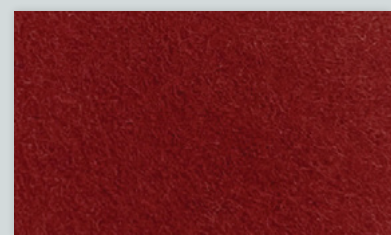
AP26
Sesame Gray



AP27
Black



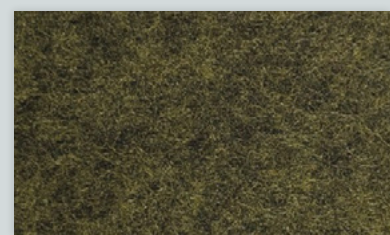
AP47
Navy Peony



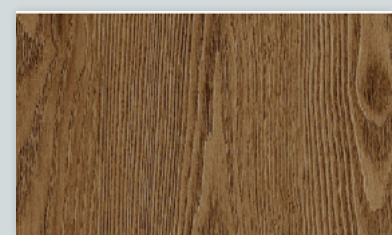
AP60
Pure Red



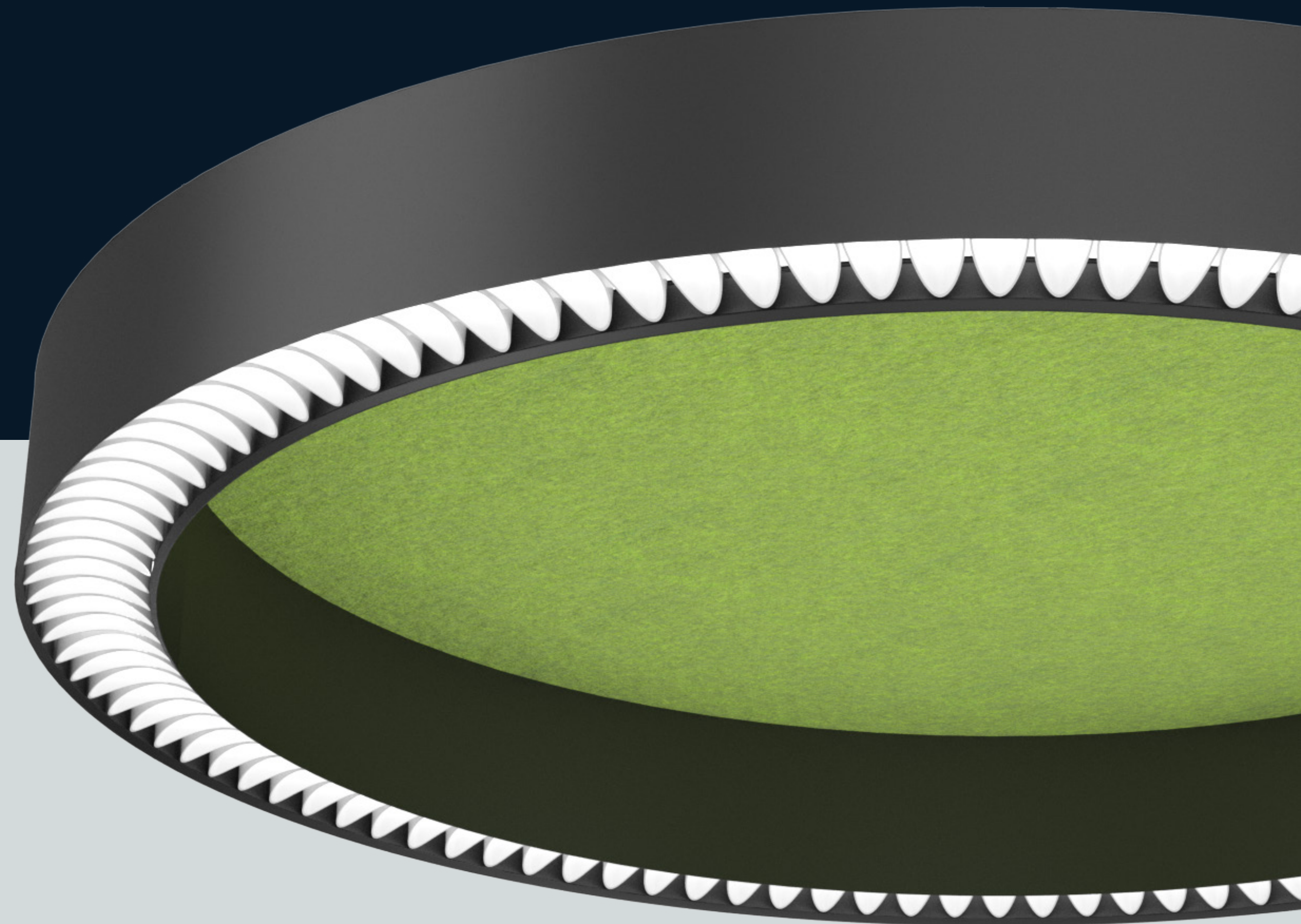
AP73
Cloudburst



AP89
Douglas Fir



APW01
Oak







KURL

A pendant that weaves enchantment into its design, the OOOOH KURL radiates sophistication through its distinctive arcs paired with the opulent OOOOH louvers. It enriches any space with a captivating charm, bathing it in a warm and inviting glow that accentuates the allure of its surroundings.

L
R
U
K



TECHNICAL SPECIFICATIONS

Lumen packages:

Direct: 5700 lms to 19100 lms

Indirect: 7500 lms to 25000 lms

CCT: 3000K, 3500K, 4000K

CRI: 80+ or 90+

Circuits: Single & Dual

Emergency: Remote

Dimming (Remote Drivers):

0-10V Dimming @ 1% and 0.1%

Dali Dimming @ 1% and 0.1%

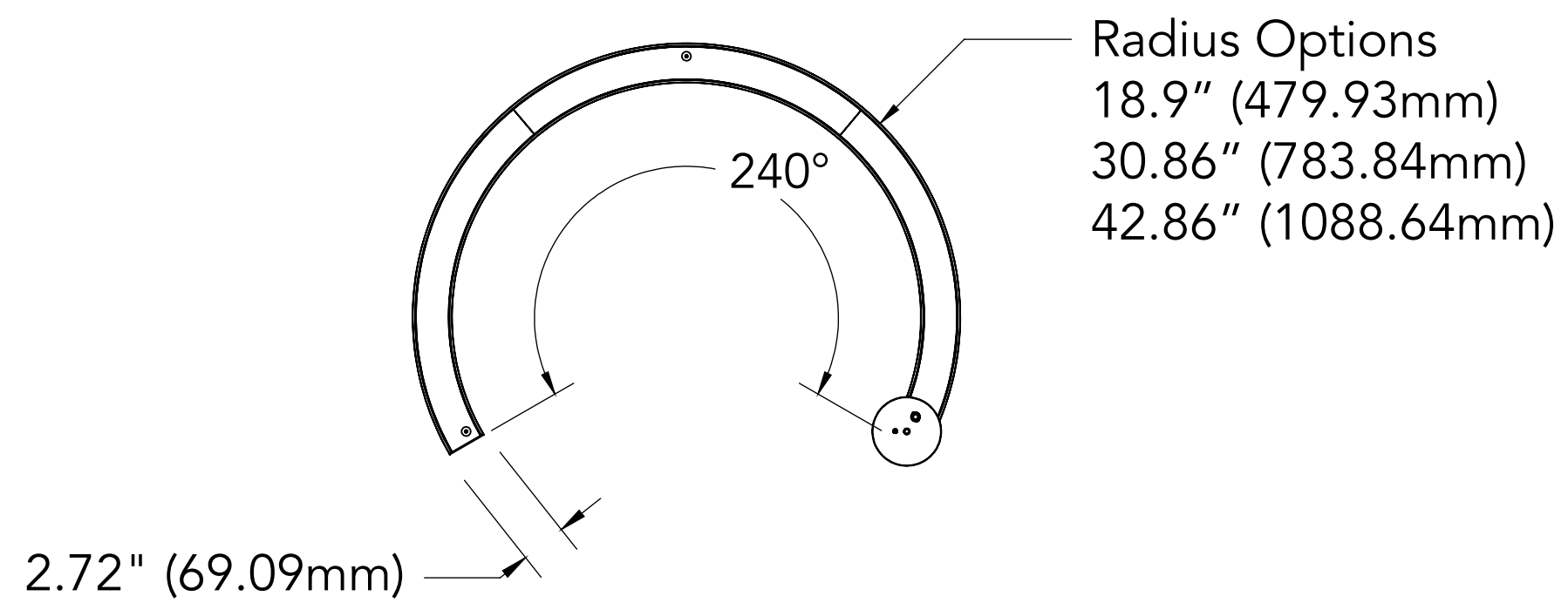
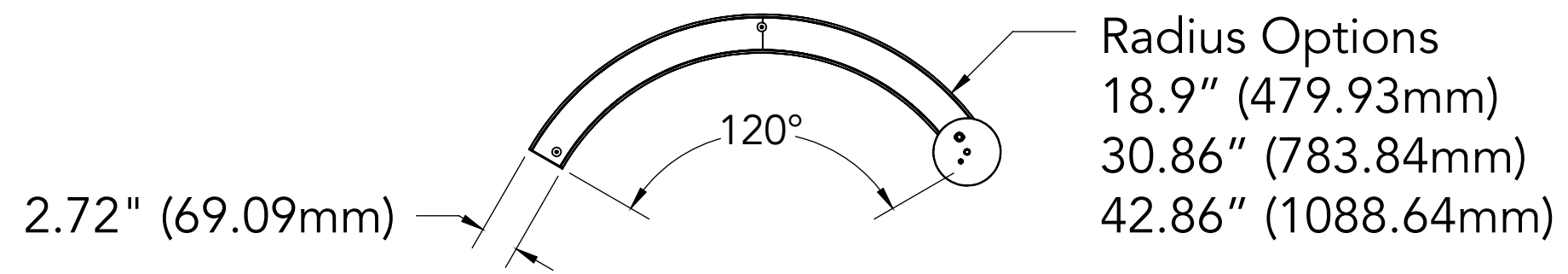
DSI/switchDim

Sensors: Consult factory regarding sensor compatibility.

Design: US Patent Pending

DIMENSIONS

The Ooooh Kurl has six variations, encompassing two arc degrees, 120° and 240°, and three radii of 18", 30", and 42".



5 Louver Finishes

- Black
- Satin Gold
- Satin Champagne
- Satin Chrome
- White





REFINED VISUAL COMFORT

Depart from the ordinary as OOOOH KURL serves as a captivating decorative feature while minimizing glare for enhanced visual comfort.



EMBRACE THE CURVE

With OOOOH KURL's 120° and 240° arcs, contour your space with whimsical flair.



Declare. 



Declare.

Linear Series BETA-CALCO INC

Final Assembly: Toronto, Ontario, Canada
Life Expectancy: 5 Year(s)
End of Life Options: Recyclable (99.6%), Landfill (0.4%)

Ingredients:

Aluminum Housing (2 parts): Aluminum; Manganese; Magnesium; Silicon; Iron; Chromium, metallic; Copper; Titanium; Zinc; **Drivers:** Glass, oxide, chemicals; **Lenses (2 parts):** Polymethyl methacrylate; **LEDs 6+6:** Glass, oxide, chemicals; **Louvre:** Acrylonitrile-Butadiene-Styrene Copolymer; **Hardware-Set (bought parts, including screws and nuts):** Steel; **Power Cord:** Copper; **Polyvinyl chloride;** Antimony oxide (Antimony trioxide); Magnesium, [carbonato(2-)]hexadecahydroxybis(aluminum)hexa-; Tin, Organic; Octadecanoic acid, calcium salt; Methyl Ethyl Ketone; Cyclohexanone; **Canopy & Ceiling Cover (2 parts):** Steel; **End Cap:** Aluminum; Silicon; Copper; Iron; Zinc; magnesium dioxide; Tin, Organic; **Grommets & Clips -Set:** Carbonic acid, polymer with 4,4'-(1-methylethylidene)bis[phenol]; **Hardware- Galv- Set:** Iron; Manganese; Chromium, metallic; Silicon; **Paint:** Phenol, 4,4'-(1-methylethylidene)bis-, polymer with 2,2'-[(1-methylethylidene) bis(4,1-phenyleneoxymethylene)]bis[oxirane]; Titanium dioxide; **1,3,5-Triglycidyl-s-triazinetriene; 2-Methylimidazole;** Carbon black; **Hardware- CRS- Set (PLTC860):** Iron

Living Building Challenge Criteria:

I-13 Red List:

- LBC Red List Free % Disclosed: 100% at 100ppm
 LBC Red List Approved VOC Content: Not Applicable
 Declared

I-10 Interior Performance: Not Applicable

I-14 Responsible Sourcing: Not Applicable

BET-0001

MANUFACTURER RESPONSIBLE FOR LABEL ACCURACY
INTERNATIONAL LIVING FUTURE INSTITUTE™ living-future.org/declare

Declare.

Decorative Series BETA-CALCO INC

Final Assembly: Toronto, Ontario, Canada
Life Expectancy: 5 Year(s)
End of Life Options: Recyclable (99.7%), Landfill (0.3%)

Ingredients:

Aluminum Housing: Aluminum; Manganese; Magnesium; Silicon; Iron; Chromium, metallic; Copper; Titanium; Zinc; **Reflector:** Aluminum; Carbonic acid, polymer with 4,4'-(1-methylethylidene)bis[phenol]; Polyethylene; Manganese; Magnesium; **LED boards (including t.blocks):** Glass, oxide, chemicals; **Acoustic Panel:** Polyethylene Terephthalate; **Hardware- CRS- Set (Including Ceiling Plate):** Iron; Manganese; **Drivers- Set:** Glass, oxide, chemicals; **Gimbal pin:** Aluminum; Manganese; Magnesium; **Aircraft Cable:** Steel; **Glass Components- Spacer disc, Dust cover:** Glass, oxide, chemicals; **Cylindrical Tube:** Aluminum; Manganese; **Decorative disc:** Steel; **Hardware-Set (bought parts, including screws, nuts, washers):** Steel; **Heat Sink:** Aluminum; Silicon; Copper; Zinc; Iron; **Brass Components (Strain relief bushings, Bushings, Suspension Hub):** Brass; **Hardware- Galv- Set:** Iron; Manganese; Chromium, metallic; Silicon; **Silicone diffuser:** Siloxanes and Silicones, di-Me, Me vinyl, vinyl group-terminated; Siloxanes and Silicones, di-Me, di-Ph, vinyl group-terminated; Silanol terminated polydimethylsiloxane; **Power Cord:** Copper; **Polyvinyl chloride;** Antimony oxide (Antimony trioxide); Magnesium, [carbonato(2-)]hexadecahydroxybis(aluminum)hexa-; Tin, Organic; Octadecanoic acid, calcium salt; Methyl Ethyl Ketone; **Rail Lite II Spring:** Iron; Chromium, metallic; Nickel (Metallic); Manganese; Molybdenum; Tungsten; Copper; **Cobalt metal powder;** Vanadium; Aluminum; Silicon; Titanium; **Clips, Strain Relief and Insulating Bushings, Zip Tie - Set 1:** Poly[imino(1,6-dioxo-1,6- hexanediy)imino-1,6-hexanediy]; **Paint:** Phenol, 4,4'-(1-methylethylidene)bis-, polymer with 2,2'-[(1-methylethylidene) bis(4,1-phenyleneoxymethylene)]bis[oxirane]; Titanium dioxide; **1,3,5-Triglycidyl-s-triazinetriene; Clips:** Zinc; **Reflector Holder:** Iron; Chromium, metallic; Nickel (Metallic); **Nylon Parts (Hole plug, Dome plug):** Nylon; **Lens- Poly:** Polyethylene; **Silicone sealant:** Cyclotetrasiloxane; Diisopropoxytitanium bis(ethylacetoacetate); **Sleeve:** Glass, oxide, chemicals; **Lens and Optic- Acrylic:** Polymethyl methacrylate; **Knob:** Brass; **Grommets and Clips - Set:** Carbonic acid, polymer with 4,4'-(1-methylethylidene)bis[phenol]; **Thermal protector:** nickel zinc

Living Building Challenge Criteria:

I-13 Red List:

- LBC Red List Free % Disclosed: 100% at 100ppm
 LBC Red List Approved VOC Content: Not Applicable
 Declared

I-10 Interior Performance: Not Applicable

I-14 Responsible Sourcing: Not Applicable

BET-0002

MANUFACTURER RESPONSIBLE FOR LABEL ACCURACY
INTERNATIONAL LIVING FUTURE INSTITUTE™ living-future.org/declare

WHY DECLARE MATTERS

Every year, the building industry accounts for 39% of global carbon emissions, and the health impacts of the built environment are drawing increased scrutiny. In earning a Declare label for our linear and decorative line, we're joining over 200 manufacturers by responding to the market's demand for decreased emissions and increased transparency.



BETACALCO

Since 1941, we have held a passion for designing cutting-edge professional lighting that changes how spaces are illuminated while upholding the enduring principles of quality and craftsmanship.

Our objective is to work in lockstep with our clients by developing innovative products that meet their variegated design needs and comply with the latest energy and construction standards. Furthermore, our manufacturing infrastructure allows us to scale products and satisfy niche design requirements.

We use leading-edge wellness technologies including BIOS, Tunable White, and Dim to Warm; and employ open-source connectivity to intelligent control systems, including Power over Ethernet.

Our customer-centric approach to service and product design is the basis of our reputation and how we have become a key lighting supplier across the globe.

betacalco.com

sales@betacalco.com

