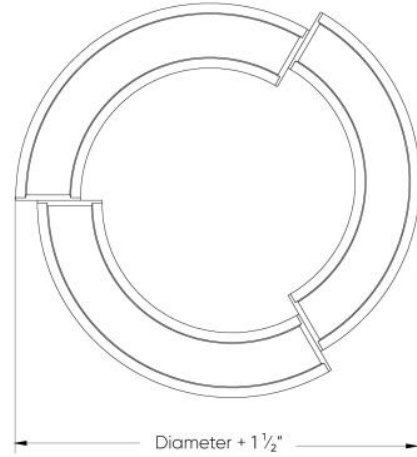
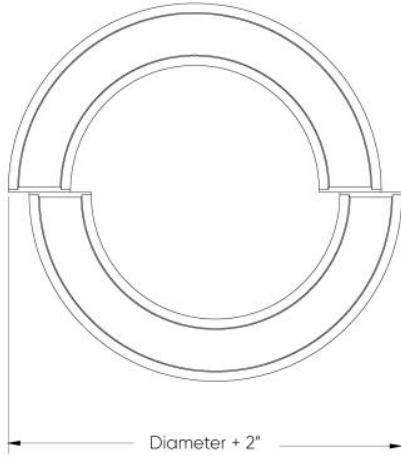
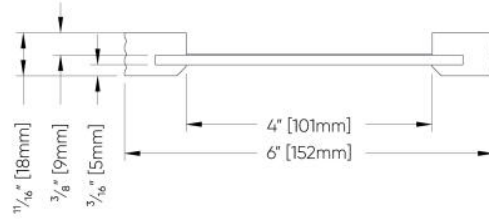


Switch Blade™ - Dimensional Diagrams

DISTANCE TO CEILING SURFACE MOUNT



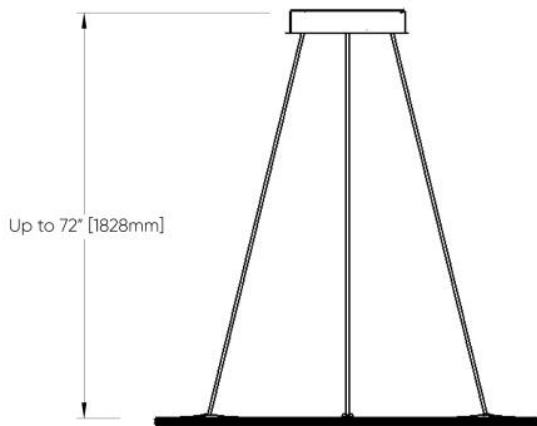
CROSS SECTION



Nominal Diameter	Actual Diameter	Minimum Suspension Height
3ft	38" [965mm]	15" [381mm]
4ft	50" [1270mm]	20" [508mm]
5ft	62" [1574mm]	25" [635mm]
6ft	74" [1879mm]	35" [889mm]
7ft	86" [2184mm]	40" [1016mm]

Nominal Diameter	Actual Diameter	Minimum Suspension Height
3ft	37 1/2" [952mm]	15" [381mm]
4ft	49 1/2" [1257mm]	20" [508mm]
5ft	61 1/2" [1562mm]	25" [635mm]
6ft	73 1/2" [1866mm]	35" [889mm]
7ft	85 1/2" [2171mm]	40" [1016mm]

Distance to ceiling Hub Mount

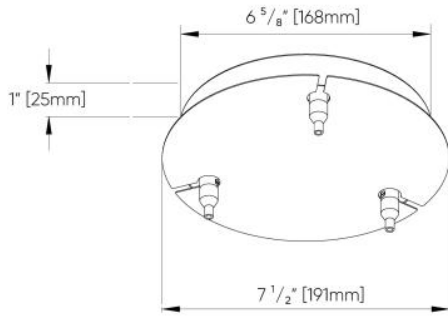


Distance to ceiling Vertical Mount

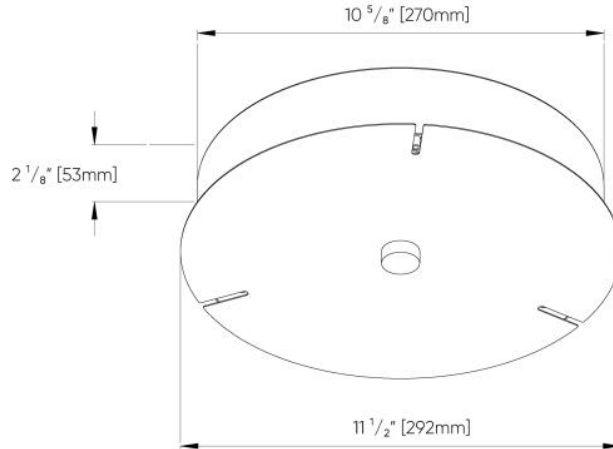


Switch Blade™ - Dimensional Diagrams

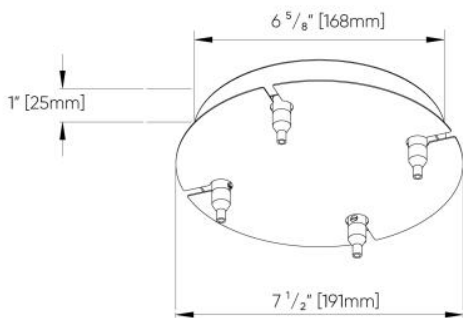
POS, Hub, Remote driver (SS7)
(Diameter: 3ft, 4ft)



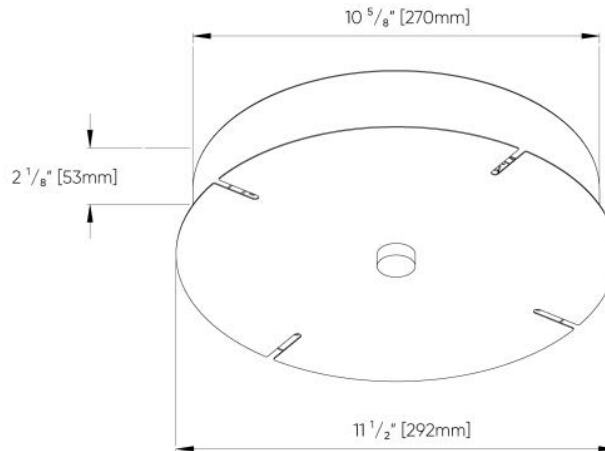
POS, Hub, Driver Integral to Canopy (SS9)
(Diameter: 3ft, 4ft)



POS, Hub, Remote driver (SS7)
(Diameter: 5ft, 6ft)

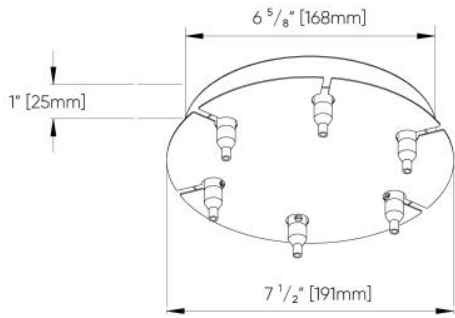


POS, Hub, Driver Integral to Canopy (SS9)
(Diameter: 5ft, 6ft)

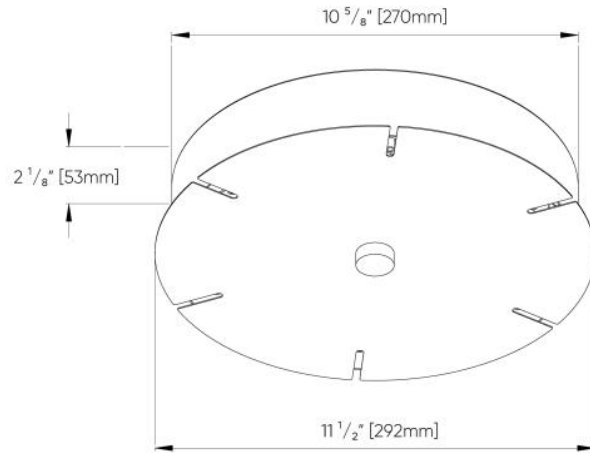


Switch Blade™ - Dimensional Diagrams

POS, Hub, Remote driver (SS7)
(Diameter: 7ft)



POS, Hub, Driver Integral to Canopy (SS9)
(Diameter: 7ft)



POS, Vertical, Remote driver (SS6)
(Diameter: 3ft, 4ft, 5ft, 6ft, 7ft)

