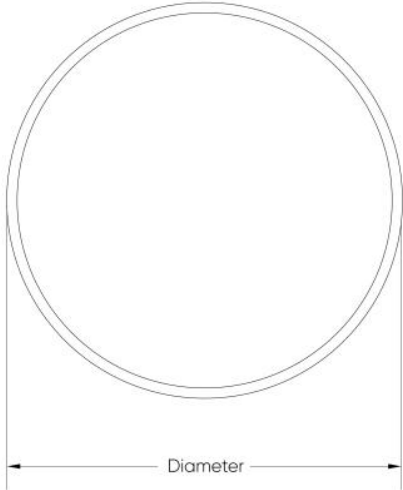
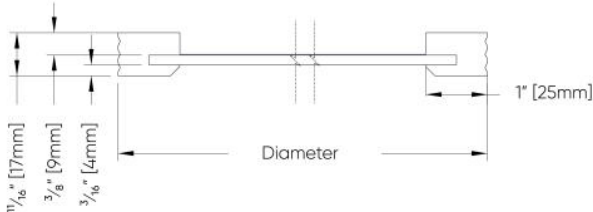


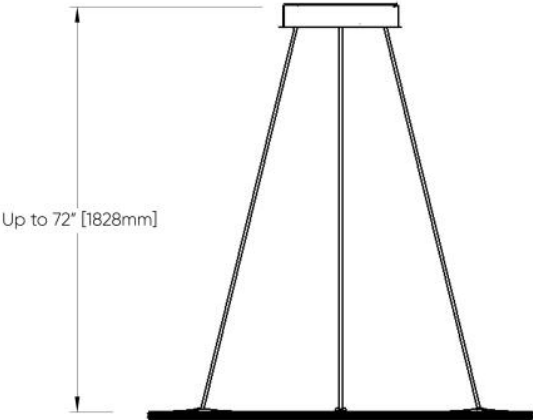
Ring Disc™ - Dimensional Diagrams

CROSS SECTION



Diameter	Minimum Suspension Height
3' [914mm]	15' [381mm]
4' [1219mm]	20' [508mm]

Distance to ceiling
Hub Mount

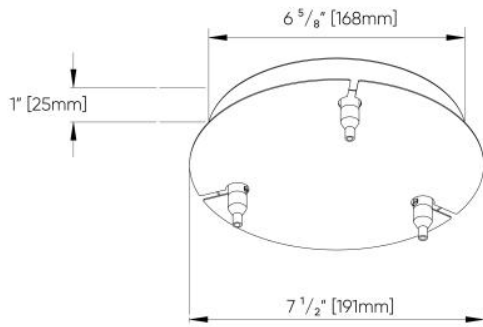


Distance to ceiling
Vertical Mount

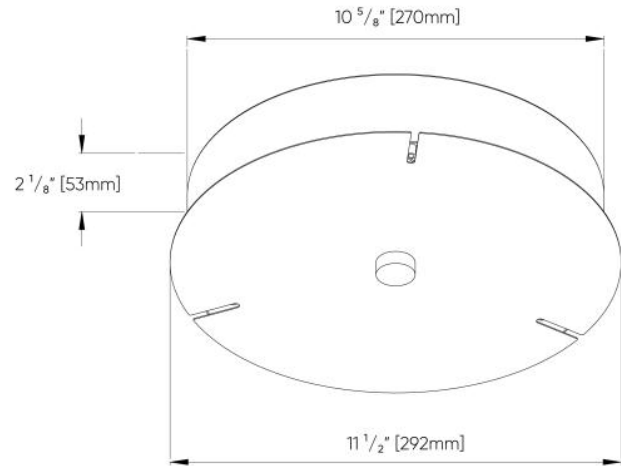


Ring Disc™ - Dimensional Diagrams

POS, Hub, Remote driver (SS7)



POS, Hub, Driver Integral to Canopy (SS9)



POS, Vertical, Remote driver (SS6)

