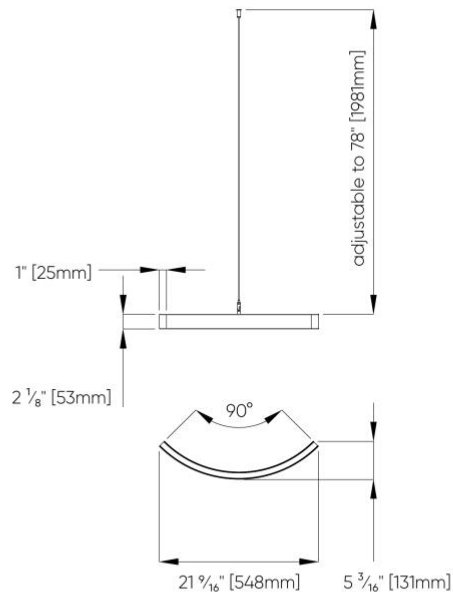
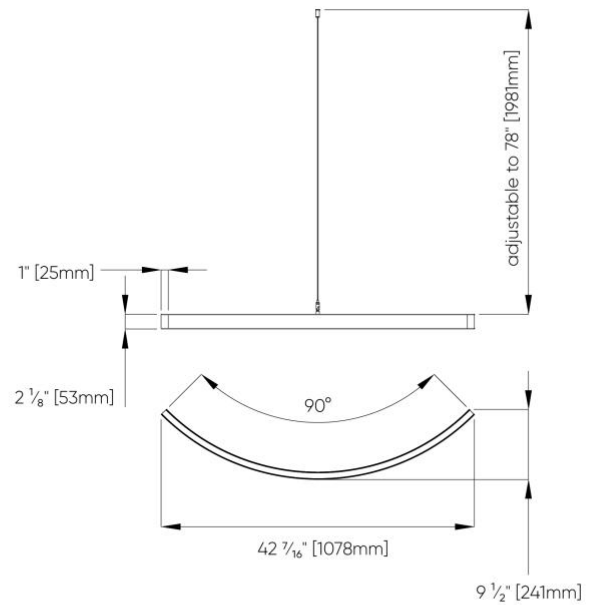


Micro Squiggle™ - Dimensional Diagrams

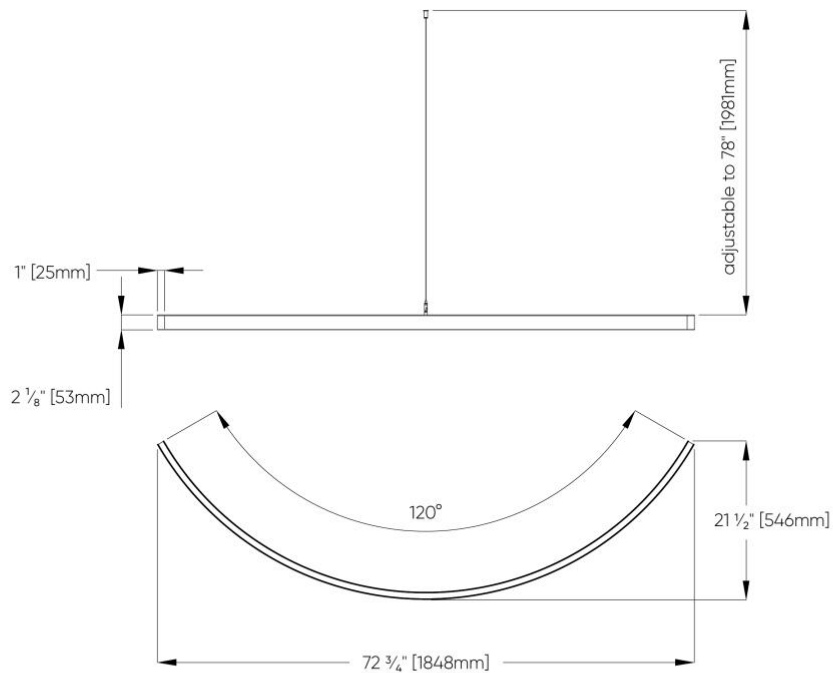
16" Radius



30" Radius



42" Radius

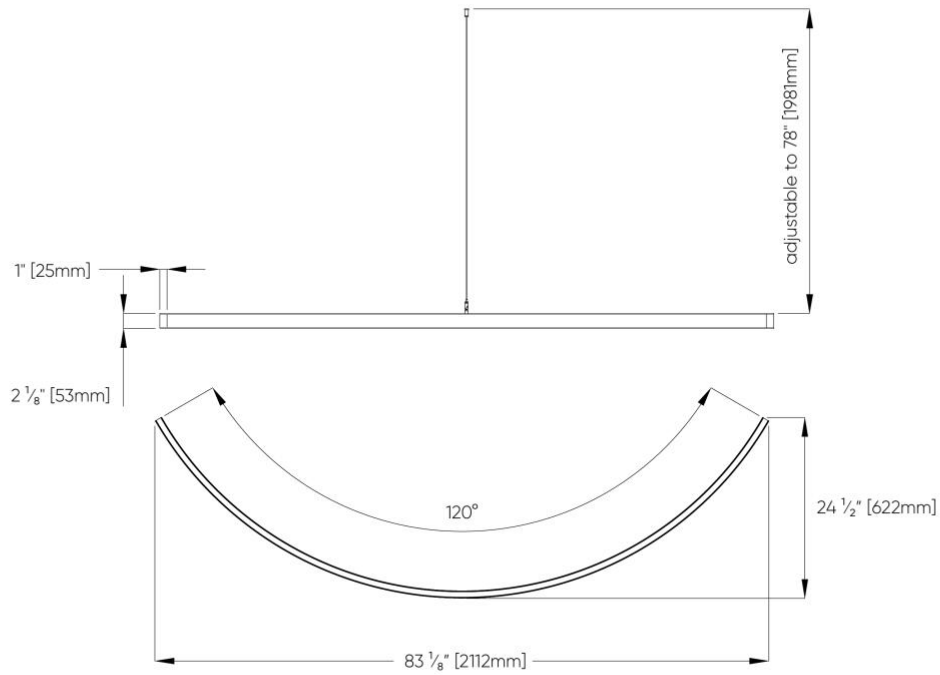


To determine the number of sections to be shipped, a final customer assembly drawing is required.
Custom shapes available.

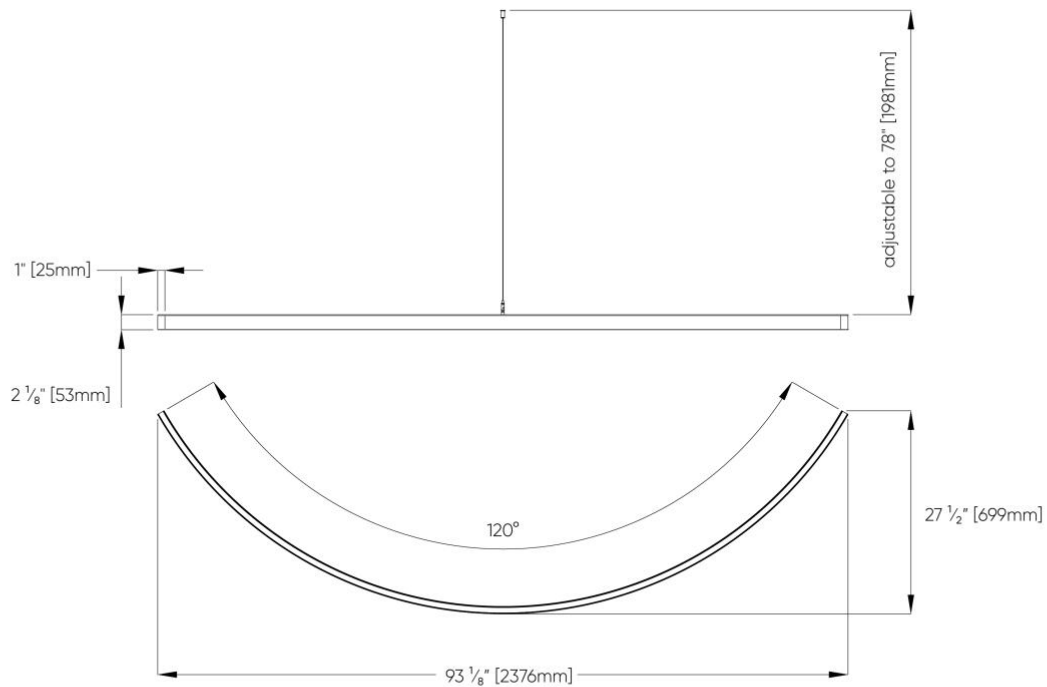


Micro Squiggle™ - Dimensional Diagrams

48" Radius



54" Radius

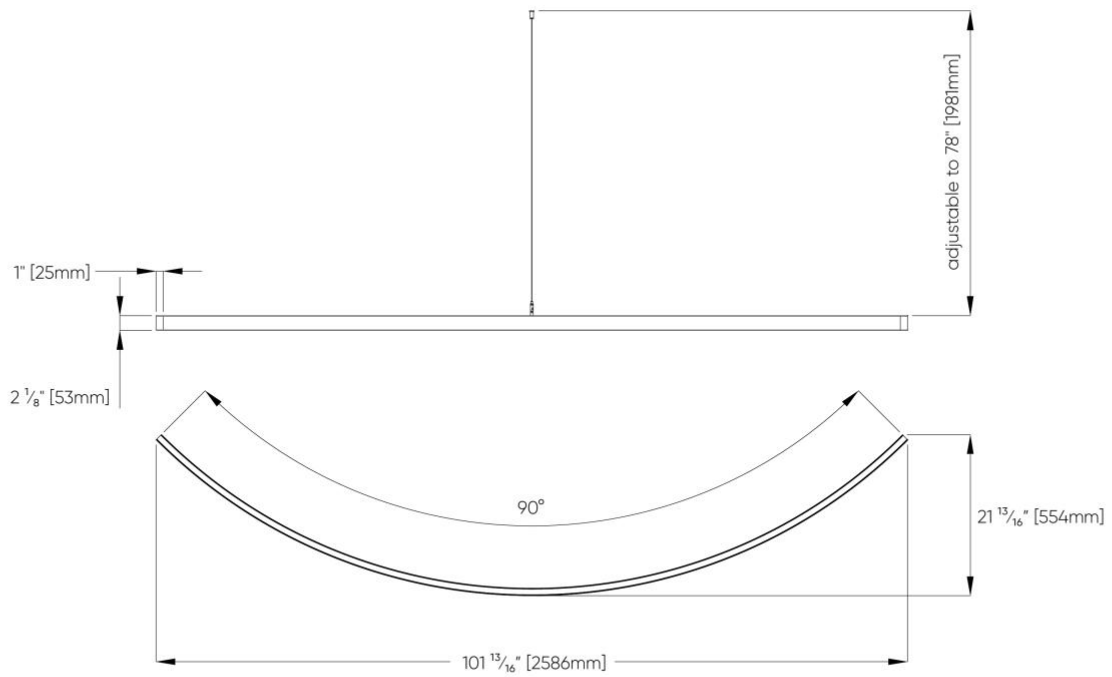


To determine the number of sections to be shipped, a final customer assembly drawing is required.
Custom shapes available.

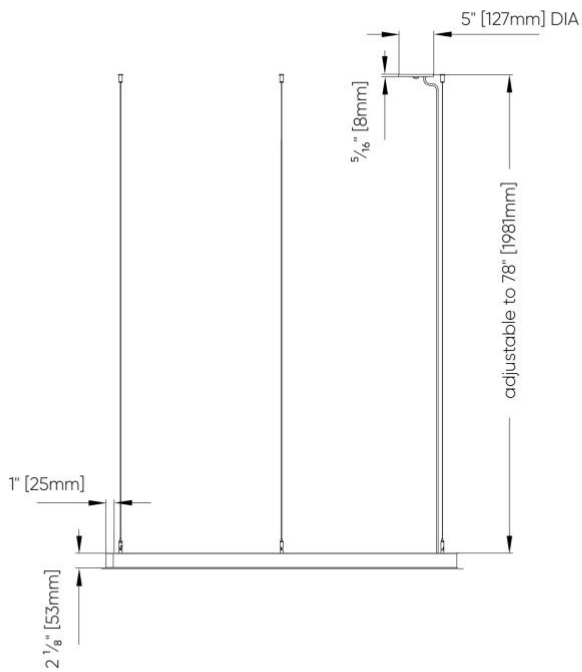


Micro Squiggle™ - Dimensional Diagrams

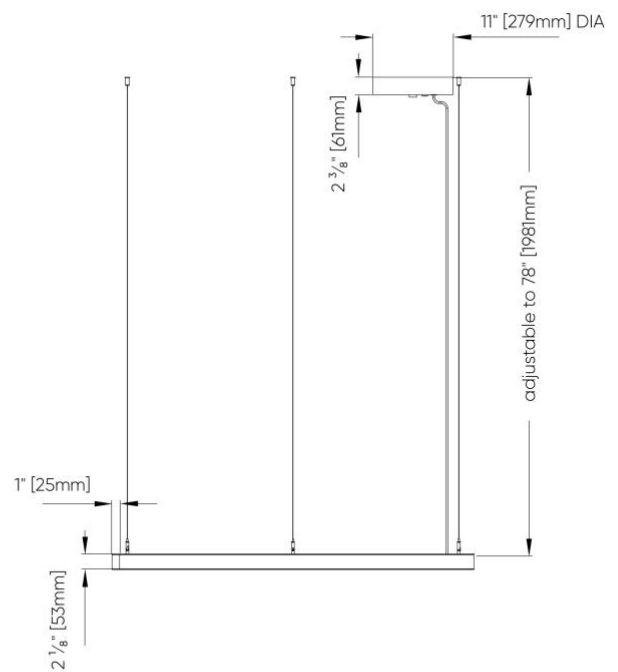
72" Radius



SS1 Vertical - Remote Driver



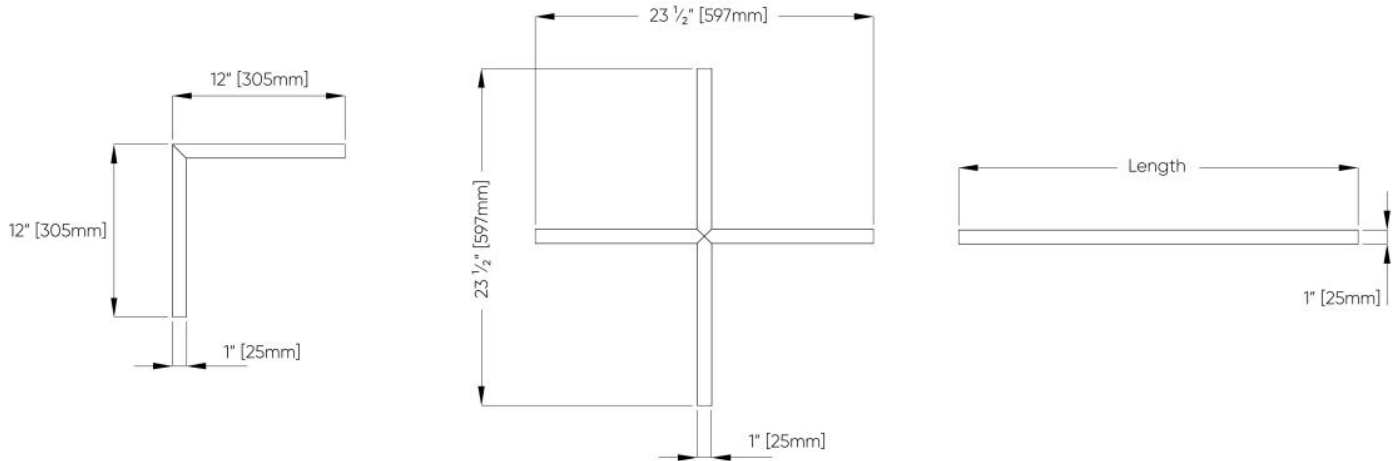
SS3 Vertical - Integral Driver



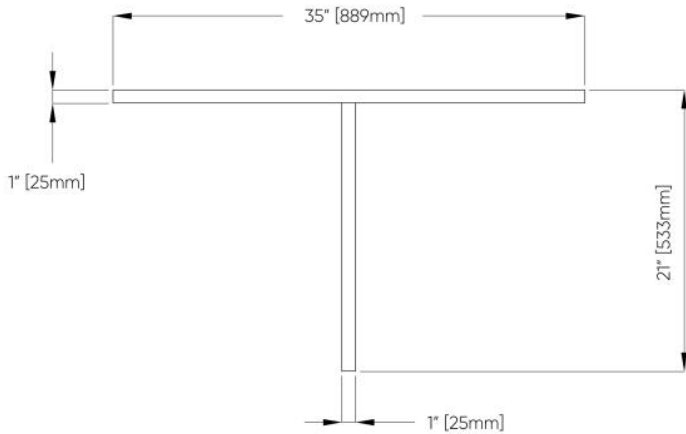
To determine the number of sections to be shipped, a final customer assembly drawing is required.
Custom shapes available.

Micro Squiggle™ - Dimensional Diagrams

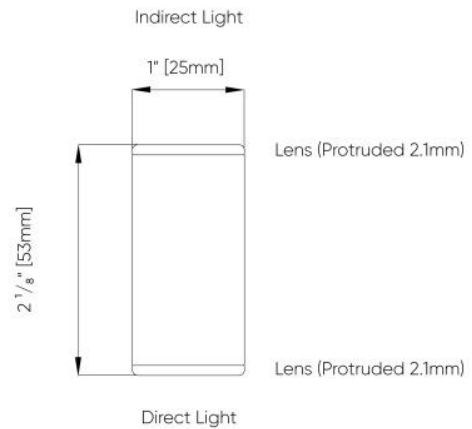
Corner, Cross & Straight Sections



T Section



Profile View



To determine the number of sections to be shipped, a final customer assembly drawing is required. Custom shapes available.