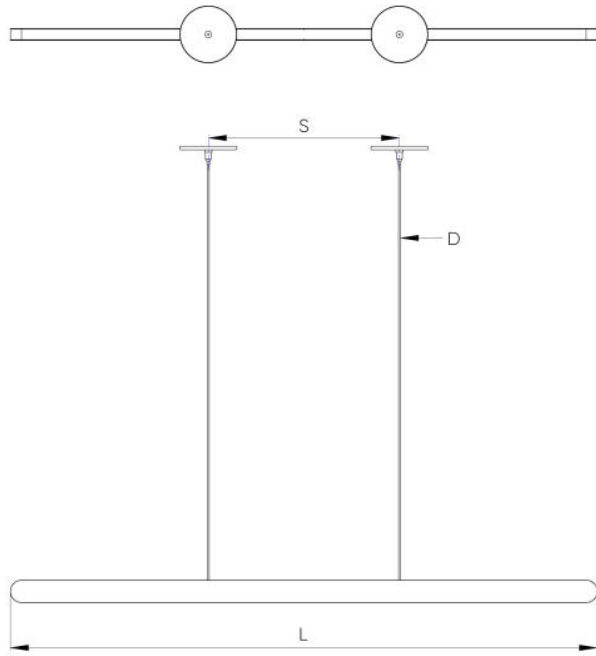
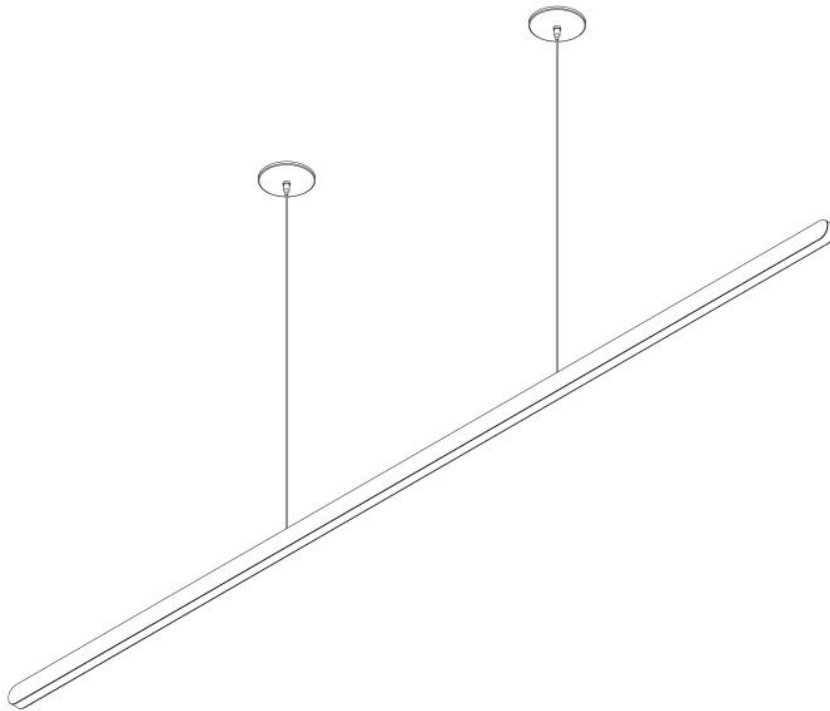
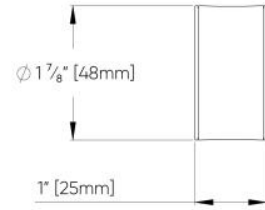


# Velop Straight™ - Dimensional Diagrams

## CN1 (Remote Drivers) - Direct & Direct/Indirect



### PROFILE DIMENSIONS

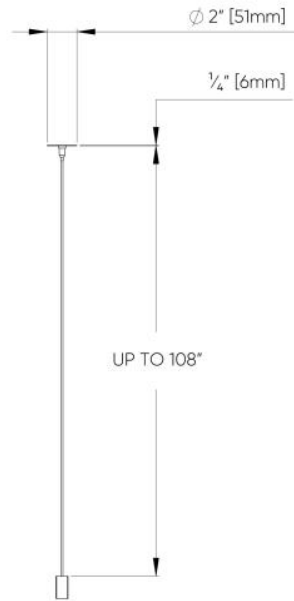
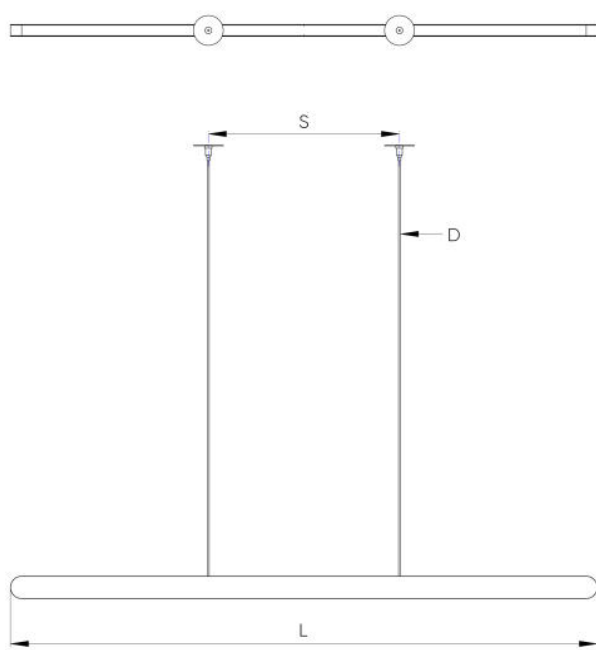


### LUMINAIRE DIMENSIONS

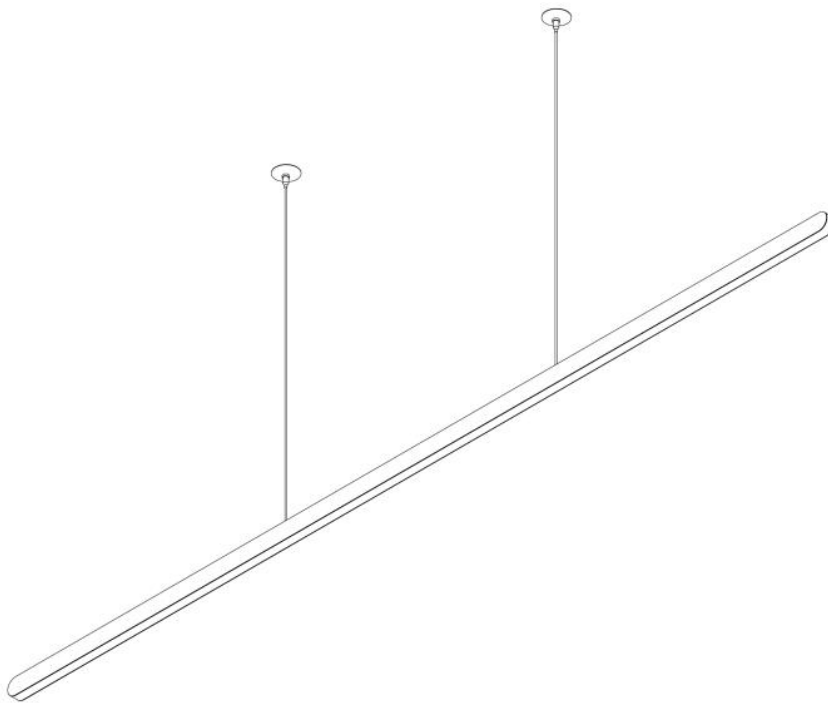
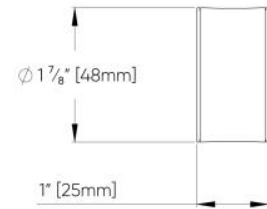
| NOMINAL SIZE | S<br>Distance Between Suspension Points | L<br>Actual Luminaire Length | D<br>Cluster of POS Cords per Susp. pt |
|--------------|---|------------------------------|--|
| 2FT          | 8" [203mm]                              | 29 3/8" [747mm]              | 1                                      |
| 4FT          | 16" [406mm]                             | 53 3/8" [1357mm]             | 1                                      |
| 6FT          | 24" [610mm]                             | 77 3/8" [1966mm]             | 1                                      |
| 8FT          | 32" [813mm]                             | 101 3/8" [2576mm]            | 1                                      |
| 10FT         | 40" [1016mm]                            | 125 3/8" [3185mm]            | 1                                      |
| 12FT         | 48" [1219mm]                            | 149 3/8" [3795mm]            | 1                                      |



## CN2 (Remote Drivers) - Direct & Direct/Indirect



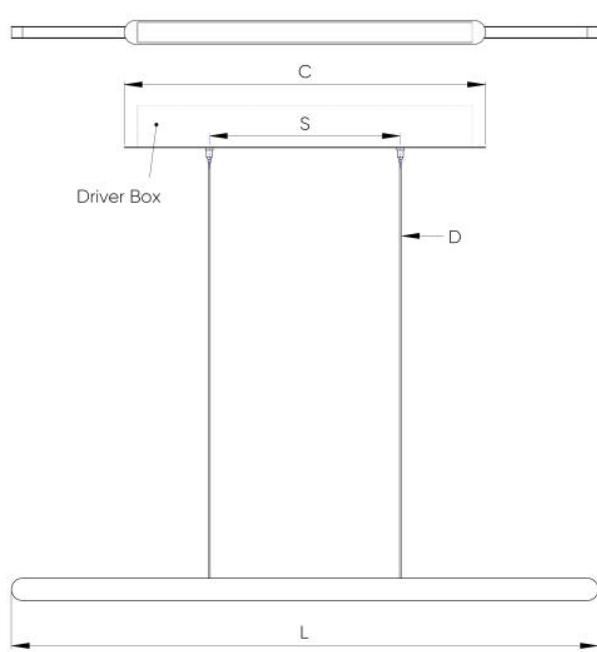
### PROFILE DIMENSIONS



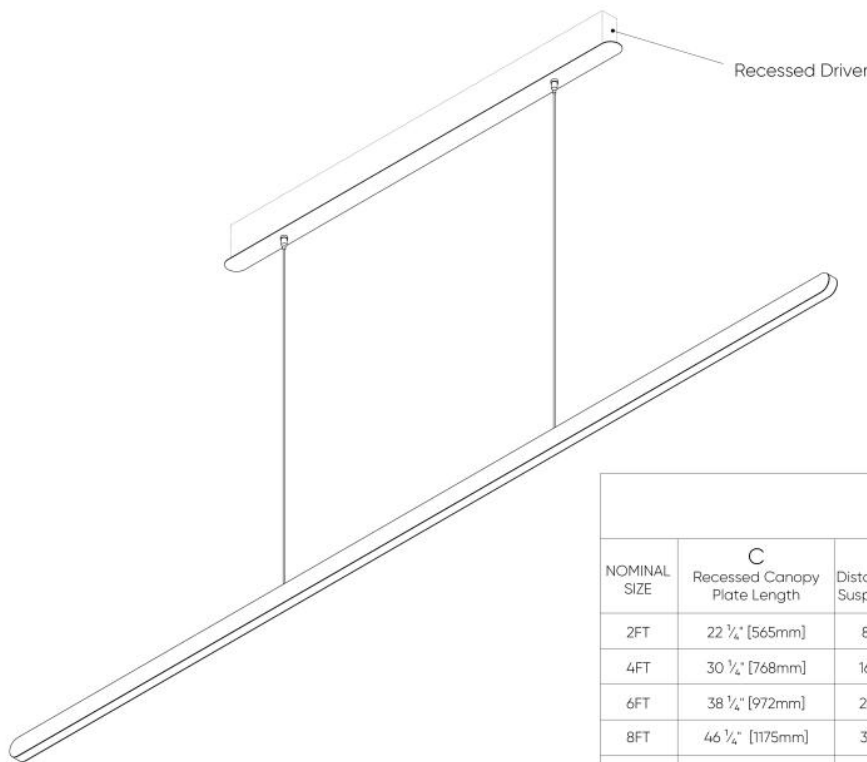
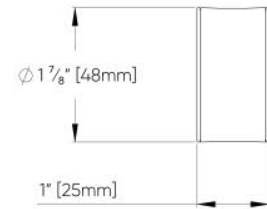
### LUMINAIRE DIMENSIONS

| NOMINAL SIZE | S<br>Distance Between Suspension Points | L<br>Actual Luminaire Length | D<br>Cluster of POS Cords per Susp. pt |
|--------------|---|------------------------------|--|
| 2FT          | 8" [203mm]                              | 29 3/8" [747mm]              | 1                                      |
| 4FT          | 16" [406mm]                             | 53 3/8" [1357mm]             | 1                                      |
| 6FT          | 24" [610mm]                             | 77 3/8" [1966mm]             | 1                                      |
| 8FT          | 32" [813mm]                             | 101 3/8" [2576mm]            | 1                                      |
| 10FT         | 40" [1016mm]                            | 125 3/8" [3185mm]            | 1                                      |
| *12FT        | 48" [1219mm]                            | 149 3/8" [3795mm]            | 1                                      |

## CN3 (Recessed Drivers) - Direct & Direct/Indirect



### PROFILE DIMENSIONS



| LUMINAIRE DIMENSIONS |                                   |   |                              |  |                             |
|----------------------|-----------------------------------|---|------------------------------|--|-----------------------------|
| NOMINAL SIZE         | C<br>Recessed Canopy Plate Length | S<br>Distance Between Suspension Points | L<br>Actual Luminaire Length | D<br>Cluster of POS Cords per Susp. pt | Recommended Ceiling Cutouts |
| 2FT                  | 22 1/4" [565mm]                   | 8" [203mm]                              | 29 3/8" [747mm]              | 1                                      | 1 5/8" * 20 1/8"            |
| 4FT                  | 30 1/4" [768mm]                   | 16" [406mm]                             | 53 3/8" [1357mm]             | 1                                      | 1 5/8" * 28 1/8"            |
| 6FT                  | 38 1/4" [972mm]                   | 24" [610mm]                             | 77 3/8" [1966mm]             | 1                                      | 1 5/8" * 36 1/8"            |
| 8FT                  | 46 1/4" [1175mm]                  | 32" [813mm]                             | 101 3/8" [2576mm]            | 1                                      | 1 5/8" * 44 1/8"            |
| 10FT                 | 54 1/4" [1378mm]                  | 40" [1016mm]                            | 125 3/8" [3185mm]            | 1                                      | 1 5/8" * 50 1/8"            |
| 12FT                 | 62 1/4" [1581mm]                  | 48" [1219mm]                            | 149 3/8" [3795mm]            | 1                                      | 1 5/8" * 58 1/8"            |