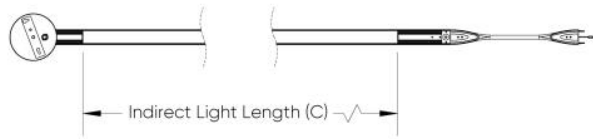
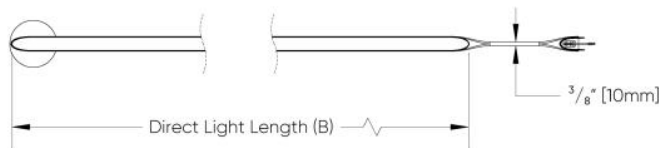
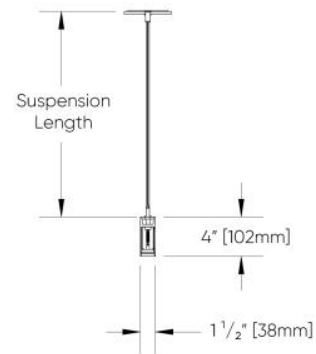
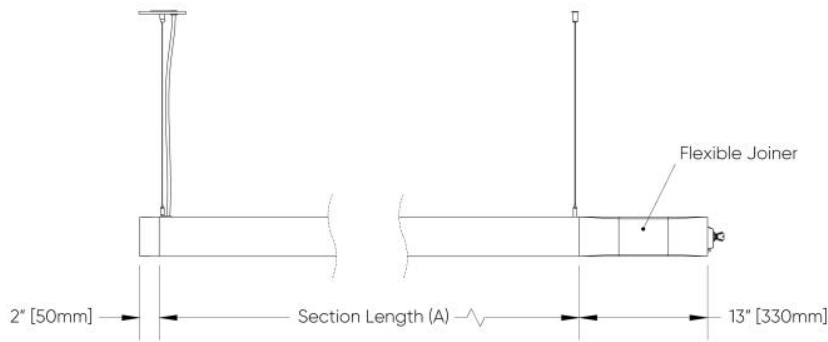
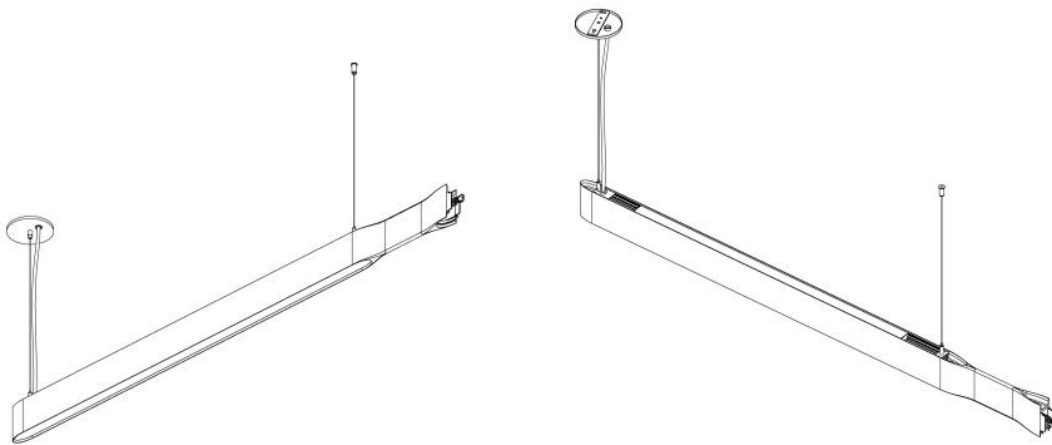


# Bend-It™ - Dimensional Diagrams

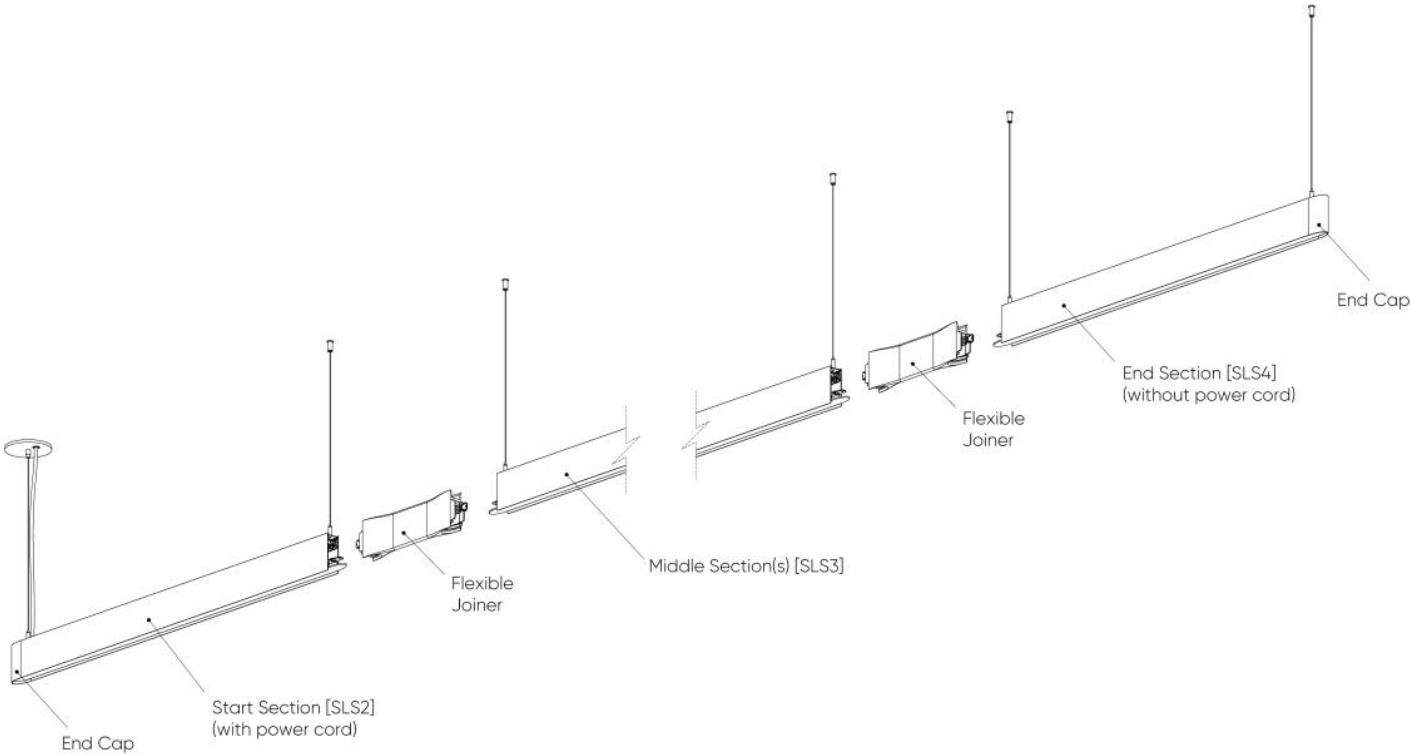


FIXTURE SIZE	A Section Length	B Direct Light Length	C Indirect Light Length
2FT [SL02]	21 1/2" [546mm]	25 3/16" [640mm]	12 3/8" [315mm]
4FT [SL04]	45 1/2" [1156mm]	49 3/16" [1250mm]	34 13/16" [884mm]
6FT [SL06]	69 1/2" [1765mm]	73 3/16" [1859mm]	57 3/8" [1458mm]
8FT [SL08]	93 1/2" [2375mm]	97 3/16" [2469mm]	85 7/8" [2182mm]
10FT [SL10]	117 1/2" [2985mm]	121 3/16" [3079mm]	108 5/8" [2758mm]
12FT [SL12]	141 1/2" [3594mm]	145 3/16" [3658mm]	131 3/8" [3338mm]

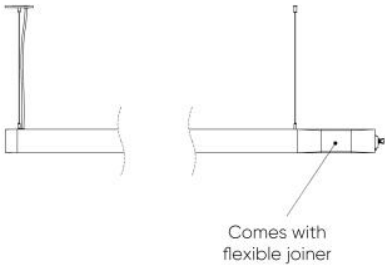
Each section type supports continuous runs up to 50 ft. Please refer to the Linear Length Configurations document.



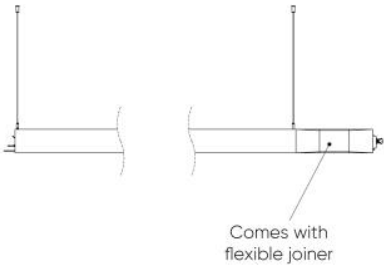
# Bend-It™ - Dimensional Diagrams



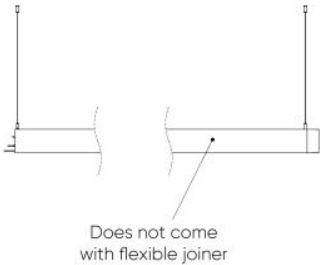
## SLS2 - START SECTION:



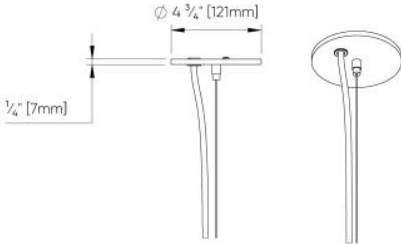
## SLS3 - MIDDLE SECTION:



## SLS4 - END SECTION:



## H1 - HARD CEILING



## G1 - GRID CEILING

