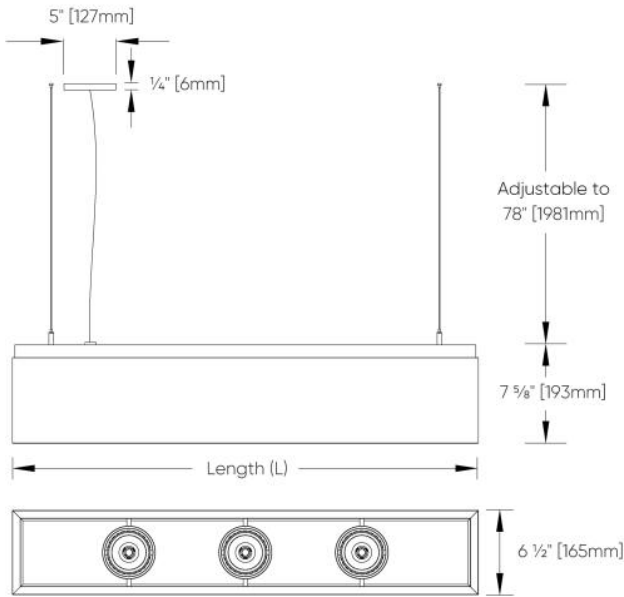
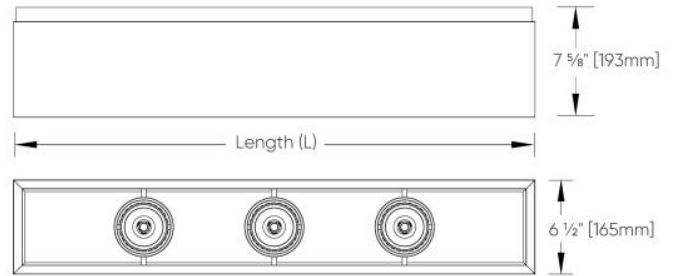


Rail-Lite II™ - Dimensional Diagrams

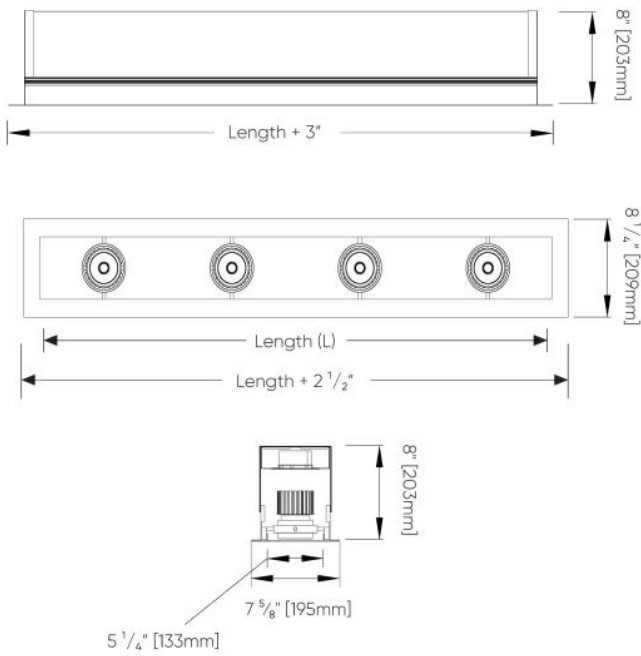
SUSPENDED



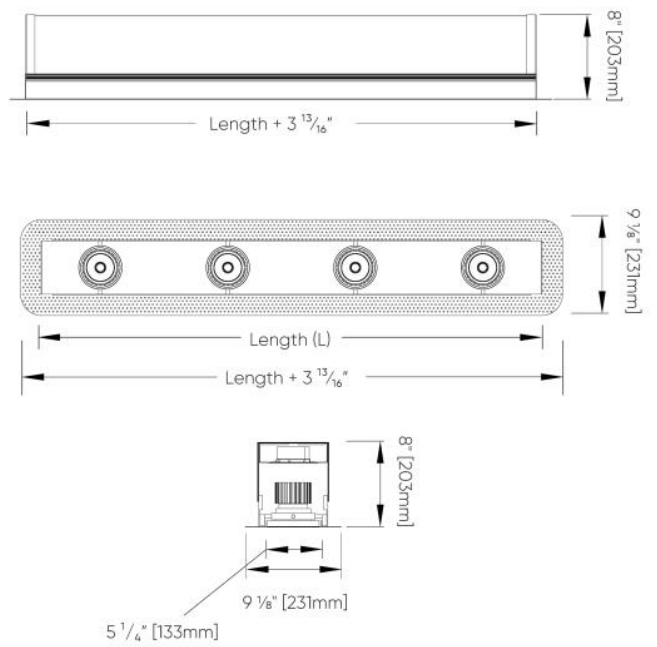
CEILING



RECESSED - BEZEL TRIM (TY)

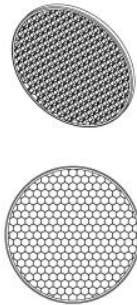


RECESSED - NO TRIM (TN)

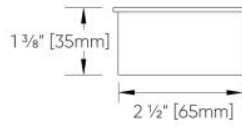
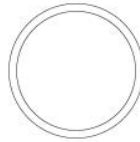


Rail-Lite II™ - Dimensional Diagrams

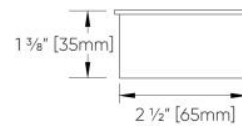
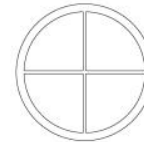
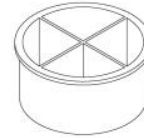
HEX LOUVER



SNOOT

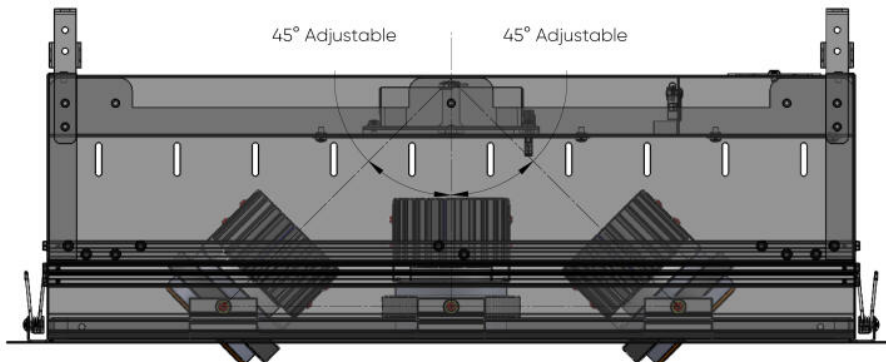


CROSS BAFFLE

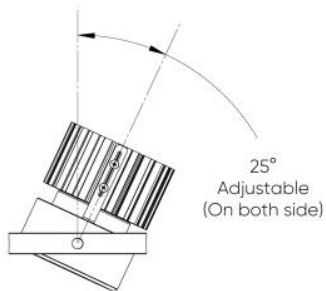


ADJUSTABILITY OF HEADS

Tilt on Large Axis



Tilt on Short Axis



ISO VIEW