

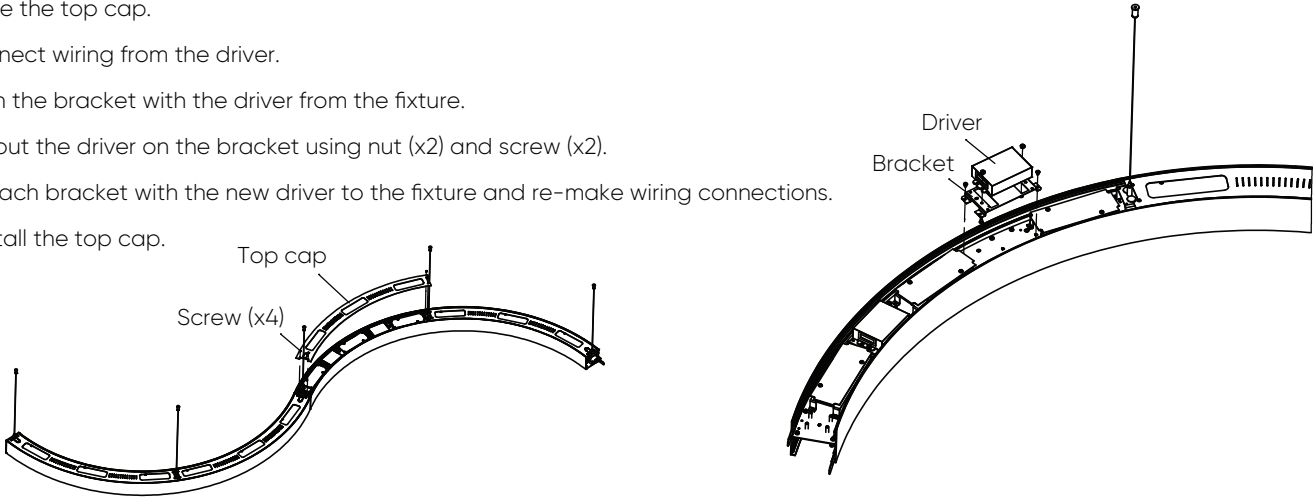
1 IMPORTANT NOTE

Fixture comes partially assembled.

- ⚠ Ensure electrical circuit is disconnected before installation.
- ⚡ Luminaires must be installed in accordance with National electrical code and local regulation.

2 DRIVER REPLACEMENT INSTRUCTION

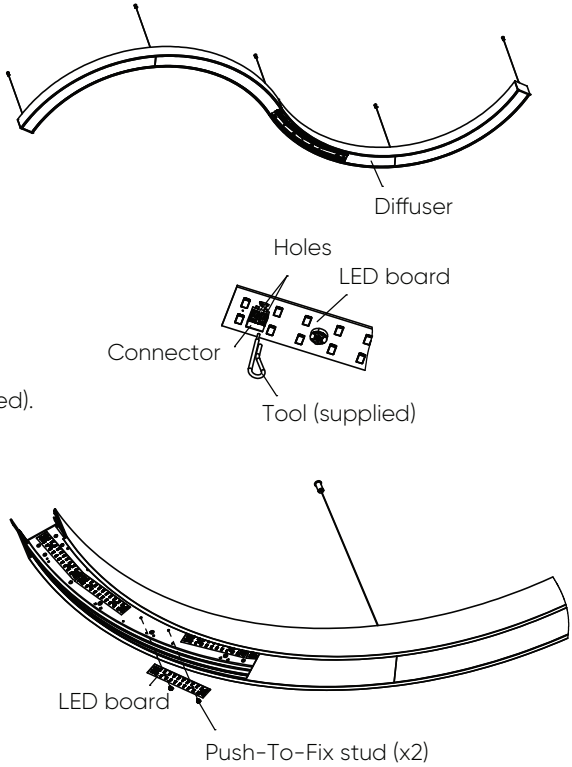
1. Remove the top cap.
2. Disconnect wiring from the driver.
3. Detach the bracket with the driver from the fixture.
4. Swap out the driver on the bracket using nut (x2) and screw (x2).
5. Re-attach bracket with the new driver to the fixture and re-make wiring connections.
6. Re-install the top cap.



3 DIRECT LED REPLACEMENT INSTRUCTION

Important: Use anti static finger cots when replacing LED board

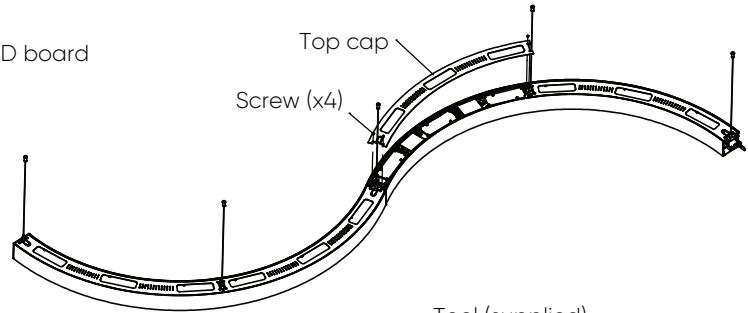
1. Remove the diffuser by lifting and sliding it at the place where the replacement of board is required.
2. Remove wires from the faulty LED board by pressing into the holes located on the top of connector with the tool (supplied) and at the same time pulling the wire.
3. Remove Push-To-Fix studs to detach the faulty LED board from the fixture.
4. Attach the new LED board to the fixture using new Push-To-Fix studs (supplied).
5. Re-connect wires to the new LED board.
6. Slide the diffuser back in place.



4 INDIRECT LED REPLACEMENT INSTRUCTION

Important: Use anti static finger cots when replacing LED board

1. Remove the top cap.



2. Remove diffuser.
3. Remove wires from the faulty LED board by pressing into the holes located on the top of connector with the tool (suppld) and at the same time pulling the wire.
4. Remove Push-To-Fix studs to detach the faulty LED board from the bracket.
5. Attach the new LED board to the fixture using new Push-To-Fix studs (supplied).
6. Re-connect wires to the new LED board.
7. Re-install the diffuser.
8. Re-install the top cap.

