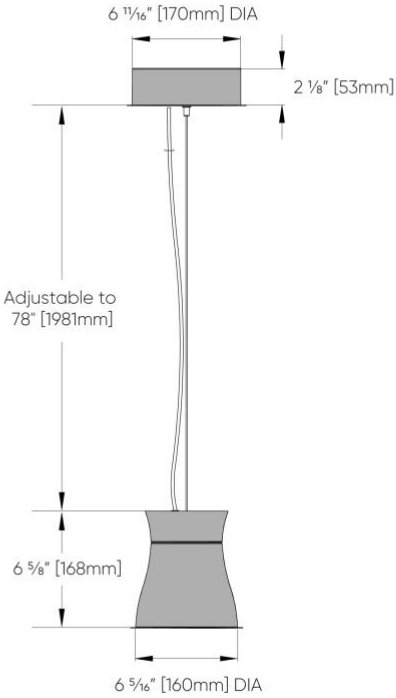
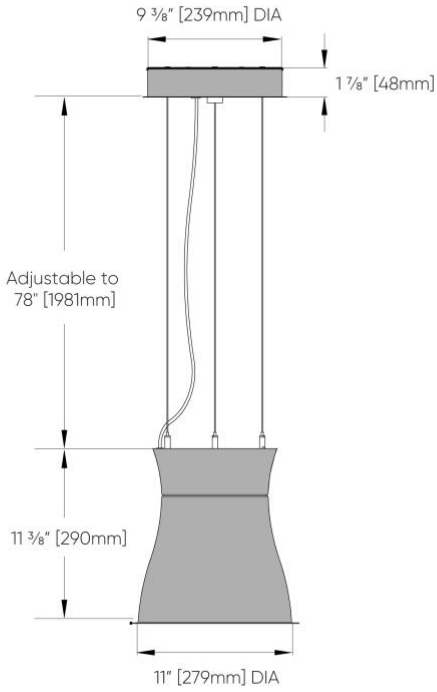


# Exy™ - Dimensional Diagrams

## Small



## Medium



## Large

