



GENERAL SPECIFICATION

Body and trim: Steel and aluminum.

Finish: Back plate, powder coated gloss white. Cover, finished as listed.

Diffuser: Opal acrylic.

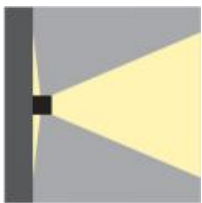
Dust covers: Opal dust cover standard.

Drivers: HPF electronic, 120-277V (EU-240V), 0-10V, 1% dimming standard.

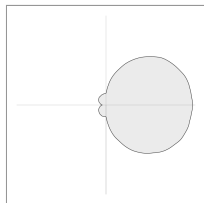
Mechanical: Luminaires mount directly to a junction box. (by others - North America Only).

Delivered Lumens: Delivered lumens & LPW based on 3000K (min 80 CRI).

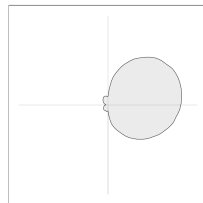
MOUNTING & OPTICS



Wall Front/Back



59 1110



59 1141

HOW TO ORDER

A SPECIFY LUMINAIRE

Code	Power (LED)	Delivered lms	LPW	Height (A)	Width (B)	Weight
59 1110	14W	940	64	13" (330mm)	8.5" (216mm)	9lb (4Kg)
59 1141	32W	2120	69	24" (610mm)	10" (254mm)	18lb (8Kg)

B SPECIFY CCT

30	3000K (min 80 CRI)
35	3500K (min 80 CRI)
40	4000K (min 80 CRI)

C SPECIFY DIFFUSER

OP	Opal
FB	Beige faux alabaster
FW	White faux alabaster

D SPECIFY FINISH

MB	Metallic Bronze
MS	Silver Metallic
AB	Antique Brass
PB	Polished Brass
SB	Satin Brass
SN	Satin Nickel
OT	Other painted finish (RAL number required)
F40	Other Non-RAL painted finish (sample chip required)

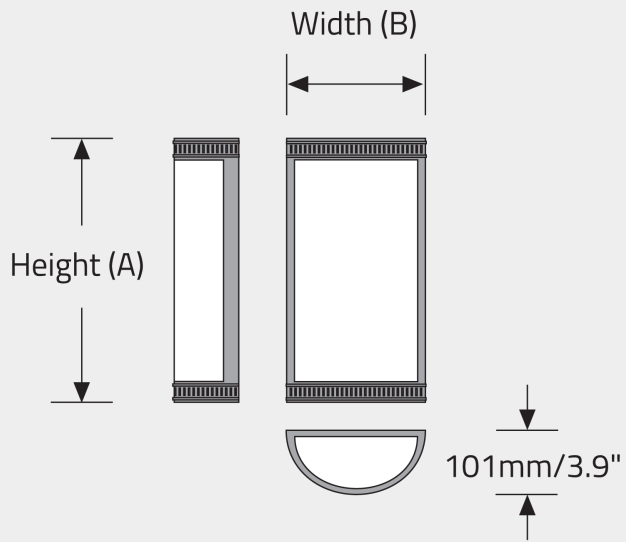
Additional Information

OT & BL1 have a one time set-up charge regardless of quantity.

EXAMPLE CODE

591110/35/OP/MS

DIMENSIONAL DIAGRAMS



APPROVALS

