



GENERAL SPECIFICATION

Body and trim: Aluminium and steel.

Suspension: Three cables.

Finish: Gear tray, powder coated gloss white. Trim, powder coated or plated as listed.

Diffusers: Hand blown, triple ply, satin opal glass.

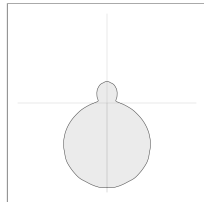
Drivers: HPF electronic, 120/277V (EU-240V). 0-10V, 1% dimming standard.

Delivered Lumens: Delivered lumens & LPW based on 3000K (min 80 CRI).

MOUNTING & OPTICS



Suspended
Direct/Indirect



63 9810

HOW TO ORDER

A SPECIFY LUMINAIRE

Code	Power (LED)	Delivered lms	LPW
63 9810	21W LED	1240	59

B SPECIFY CCT

30	3000K (min 80 CRI)
35	3500K (min 80 CRI)
40	4000K (min 80 CRI)

C SPECIFY FINISH

MS	Silver Metallic
PC	Polished Chrome
SC	Satin Chrome
SN	Satin Nickel
OT	Other painted finish (RAL number required)
F40	Other Non-RAL painted finish (sample chip required)

Additional Information

OT & BL1 have a one time set-up charge regardless of quantity.

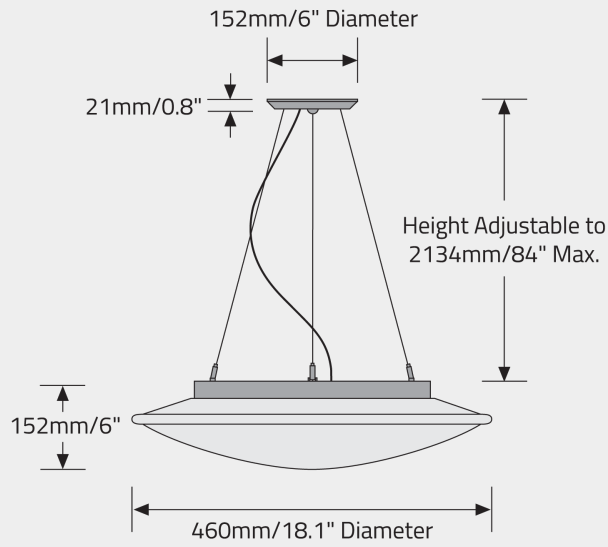
D SPECIFY OPTIONS

HR	Halo Rings
CB	Cradle Bars

EXAMPLE CODE

639810/35/MS

DIMENSIONAL DIAGRAMS



APPROVALS



IP20