



## GENERAL SPECIFICATION

**Body and trim:** Steel and aluminium.

**Array housings:** Die cast aluminium.

**Gimbal:** Fully articulating on two axes.

**Suspension:** Two or four cables, fully adjustable.

**Reflectors:** Highly reflective, specular finish, vacuum plated.

**Protective lens:** Clear glass.

**Power cable:** Silver braided.

**Finish:** Powder coated, as specified.

**Drivers:** HPF electronic for 120-277V (EU-240V). 0-10V dimming (10%).

**L70 @25deg C (77deg F):** > 60,000 hrs.

**Delivered Lumens:** Delivered lumens & LPW based on 3000K (min 80 CRI).

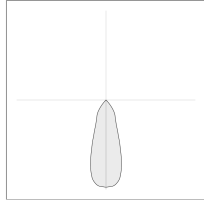
**Approvals:** Damp Location (Indoor use only).

*Note:* Photometric testing performed using LM79 procedures.

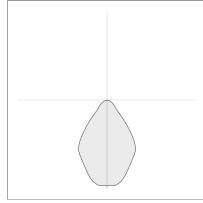
## MOUNTING & OPTICS



Ceiling



50 1220-26W-SINGLE  
HEAD-ME-36 DEG



50 1220-26W-SINGLE  
HEAD-XW-70 DEG

## HOW TO ORDER

### A SPECIFY LUMINAIRE

Code	Power (LED)	Delivered lms	LPW	CBCP
<b>50 1220</b>	2 x 26W	2 x 2085	80	4104
<b>50 1240</b>	4 x 26W	4 x 2085	80	4104

### B SPECIFY CCT/CRI

<b>30A</b>	3000K (min 80 CRI)
<b>30B</b>	3000K (min 90 CRI)
<b>35A</b>	3500K (min 80 CRI)
<b>35B</b>	3500K (min 90 CRI)
<b>40A</b>	4000K (min 80 CRI)
<b>40B</b>	4000K (min 90 CRI)

### C SPECIFY REFLECTOR

<b>ME</b>	Medium 36°
<b>XW</b>	Extra wide 70°

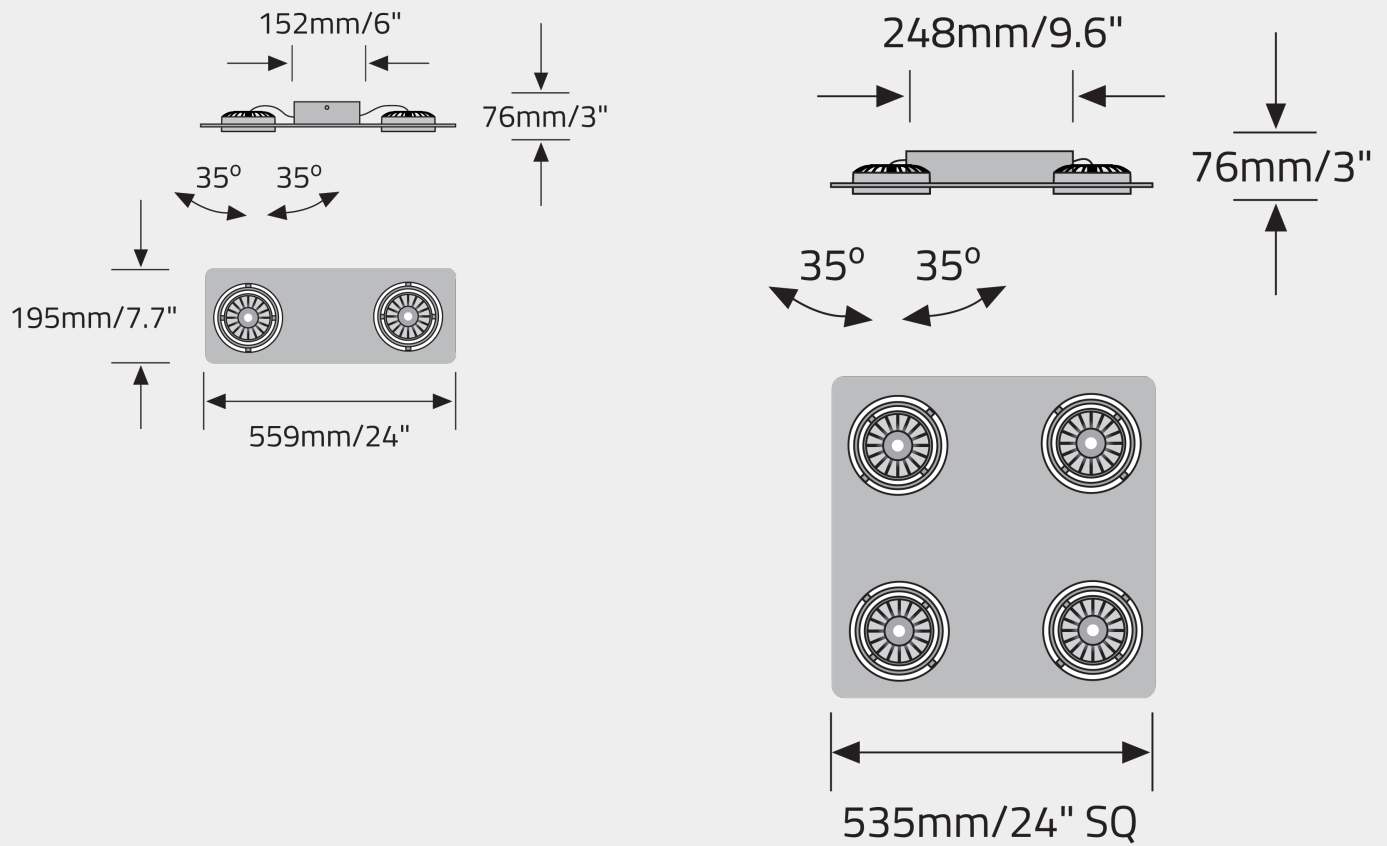
### D SPECIFY FINISH

<b>BL</b>	Black
<b>MS</b>	Silver Metallic
<b>WH</b>	White

### EXAMPLE CODE

501220/30A/ME/BL

## DIMENSIONAL DIAGRAMS



## APPROVALS



DAMP  
LOCATION



IP20