



## GENERAL SPECIFICATION

**Body and trim:** Steel and aluminium.

**Suspension:** Single tube with four decorative tubes.

**Finish:** Gear tray, powder coated gloss white. Trim, powder coated or plated as listed.

**Diffusers:** Acrylic.

**Dust covers:** Clear polycarbonate.

**Drivers:** HPF electronic, 120/277V (EU-240V), 0-10V, 1% dimming standard.

**Remote Emergency:** Emergency option provides a 1.5 hour (3 hours for EU) emergency lighting facility. The remote system includes the inverter module, NiCad batteries and a remote wall/ceiling LED charge indicator and test switch (NA only) Maximum distance between wall/ceiling plate and luminaire is 4.5m/15'. Test switch fits a single gang box (not supplied).

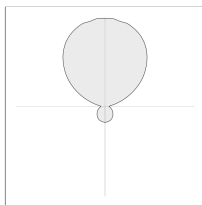
**L70 @25deg C (77deg F):** > 50,000 hrs.

**Delivered Lumens:** Delivered lumens & LPW based on 3000K (min 80 CRI).

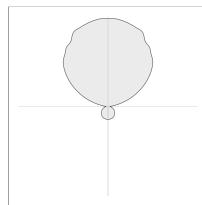
## MOUNTING & OPTICS



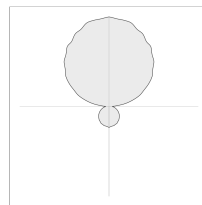
Suspended  
Direct/Indirect



68 7310



68 7320



68 7330

## HOW TO ORDER

### A SPECIFY LUMINAIRE

Code	Power (LED)	Delivered lms	LPW	Diameter (A)	Diameter (B)	Depth (D)	Height (H)	Height (A)
<b>68 7310</b>	150W	15439	103	29" (737mm)	5.7" (145mm)	6.5" (165mm)	24" (610mm)	1" (26mm)
<b>68 7320</b>	211W	22631	107	37" (940mm)	5.7" (145mm)	7" (178mm)	24" (610mm)	1" (26mm)
<b>68 7330</b>	282W	30043	107	47" (1194mm)	7.9" (200mm)	9" (229mm)	29.5" (749mm)	1.75" (45mm)

### B SPECIFY CCT

<b>30</b>	3000K (min 80 CRI)
<b>35</b>	3500K (min 80 CRI)
<b>40</b>	4000K (min 80 CRI)

### C SPECIFY FINISH

<b>WH</b>	White
<b>MB</b>	Metallic Bronze
<b>MS</b>	Silver Metallic
<b>PC</b>	Polished Chrome
<b>SB</b>	Satin Brass
<b>SC</b>	Satin Chrome
<b>SN</b>	Satin Nickel
<b>OT</b>	Other painted finish (RAL number required)
<b>F40</b>	Other Non-RAL painted finish (sample chip required)

#### Additional Information

OT & BL1 have a one time set-up charge regardless of quantity.

### D SPECIFY DIFFUSER

<b>OP</b>	Opal
-----------	------

### E SPECIFY OPTIONS

<b>RE</b>	Remote Emergency (max distance 10 ft, 120/277V)
<b>CB</b>	Cradle Bars
<b>SW</b>	Swivel Canopy (42 degrees)

### F SPECIFY DIMMING

<b>DA</b>	DALI Drivers
<b>DX</b>	DMX Drivers

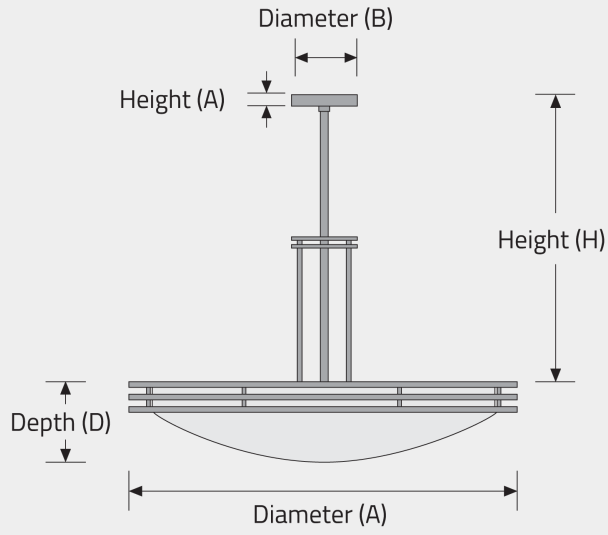
### G SPECIFY SUSPENSION LENGTH

<b>S1</b>	152mm/6" Additional Suspension Length
<b>S2</b>	304mm/12" Additional Suspension Length
<b>S3</b>	456mm/18" Additional Suspension Length
<b>S4</b>	608mm/24" Additional Suspension Length

EXAMPLE CODE

687310/35/MS/OP

## DIMENSIONAL DIAGRAMS



## APPROVALS



IP20