



## GENERAL SPECIFICATION

**Body and trim:** Low copper, die-cast aluminum highly resistant to oxidation.

**Diffuser:** 3mm/0.12" tempered glass/convex lens.

**Gasket:** Silicone.

**Finish:** Powder coated.

**External screws:** A4 stainless steel treated with highly antioxidant water-repellent lubricating solution to ensure easy opening.

**Cable entry:** M20 gland for DIA 8-12mm/0.2-0.47" cables.

**Drivers:** HPF, electronic for 120V/277V.

**Mechanical:** For surface mounting.

**Delivered Lumens:** Delivered lumens & LPW based on 3000K (min 80 CRI).

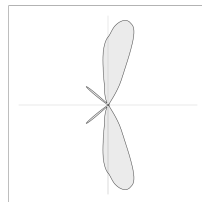
## MOUNTING & OPTICS



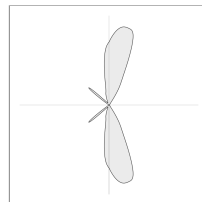
Ext-Wall Downlight



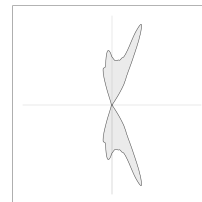
Ext-Wall Up/Down



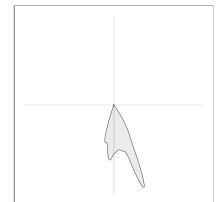
830 8132



830 8134



830 8138



830 8140

## HOW TO ORDER

### A SPECIFY LUMINAIRE

Code	Power (LED)	Distribution	Delivered lms
<b>830 8140</b>	6W	2° x 35° Asymmetrical Narrow	31
<b>830 8130</b>	26W	32° Medium Down	361
<b>830 8132</b>	26W	2 x 32° Medium Up/Down	898
<b>830 8138</b>	16W	4 x (2°x35°) Asymmetrical Narrow	118
<b>830 8134</b>	26W	4 x 32° Medium	449
<b>830 8136</b>	6W+18W	Spot Up/Flood Down	---

### B SPECIFY CCT

<b>30</b>	3000K (min 80 CRI)
<b>40</b>	4000K (min 80 CRI)

### C SPECIFY FINISH

<b>BL</b>	Black
<b>AG</b>	Anthracite Gray
<b>GR</b>	Gray RAL 9006

### D SPECIFY DIMMING

<b>DB</b>	Dimming 0-10V, 10%
-----------	--------------------

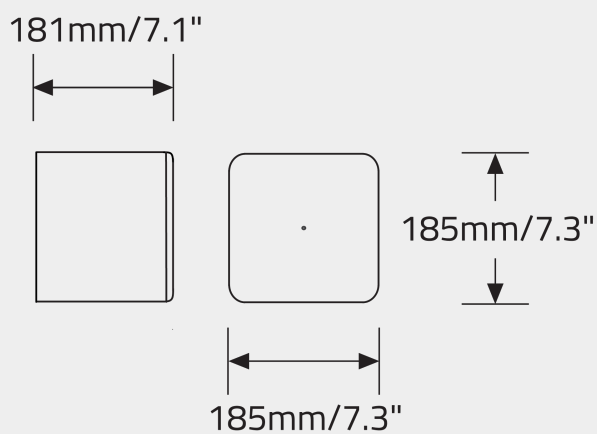
#### Additional Information

Dimming not available for 830 8140

### EXAMPLE CODE

8308130/30/BL

## DIMENSIONAL DIAGRAMS



## APPROVALS

