



GENERAL SPECIFICATION

Body and trim: Die-cast aluminium.

Finish: Silver powder coated, RAL9006.

Front fascia: Injection molded plastic, UV stabilised, painted RAL9006. Front fascia can be custom painted to special order (Consult factory).

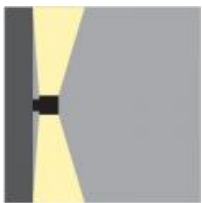
Gasketing: Heat resistant silicone.

Drivers: HPF, electronic for 120-277V (EU-240V).

Minimum Starting Temperature: -30°C.

Delivered Lumens: Delivered lumens & LPW based on 3000K (min 80 CRI).

MOUNTING & OPTICS



Ext-Wall Up/Down

HOW TO ORDER

A SPECIFY LUMINAIRE

Code	3 x 3W	Beam	Delivered lms
66 3004	Narrow Beam	10°	3 x 236
66 3014	Twin Beam	2x5°	3 x 236
66 3024	Medium Beam	40°	3 x 236
66 3034	Medium/Narrow Beam	40°/10°	3 x 236

B SPECIFY CCT

30	3000K (min 80 CRI)
40	4000K (min 80 CRI)
B	Blue

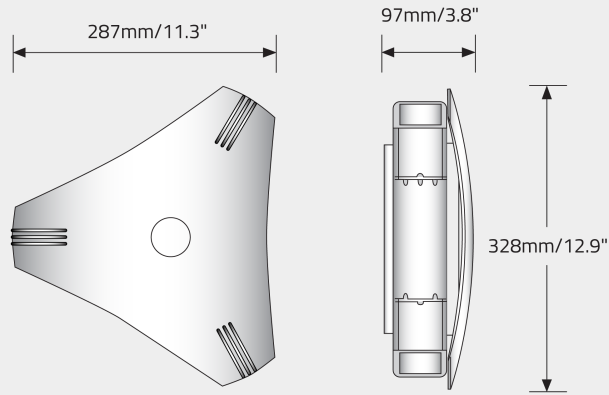
C SPECIFY DIMMING

DB	Dimming 0-10V, 10%
----	--------------------

EXAMPLE CODE

663004/30

DIMENSIONAL DIAGRAMS



APPROVALS

