



## GENERAL SPECIFICATION

**Body and trim:** Die-cast aluminium.

**Finish:** Silver powder coated, RAL9006.

**Front fascia:** Injection molded plastic, UV stabilised, painted RAL9006. Front fascia can be custom painted to special order(Consult factory).

**Gasketing:** Heat resistant silicone.

**Drivers:** HPF, electronic for 120-277V (EU-240V).

**Minimum Starting Temperature:** -30°C.

**Delivered Lumens:** Delivered lumens & LPW based on 3000K (min 80 CRI).

## MOUNTING & OPTICS



Ext-Wall Up/Down



Narrow



Medium



Twin Narrow

## HOW TO ORDER

### A SPECIFY LUMINAIRE

Code	4 x 3W	Beam	Delivered lms
66 4004	Narrow Beam	10°	4 x 236
66 4014	Twin Beam	2x5°	4 x 236
66 4024	Medium Beam	40°	4 x 236
66 4034	Narrow/Medium Beam	10°/40°	4 x 236

### B SPECIFY CCT

30	3000K (min 80 CRI)
40	4000K (min 80 CRI)
B	Blue

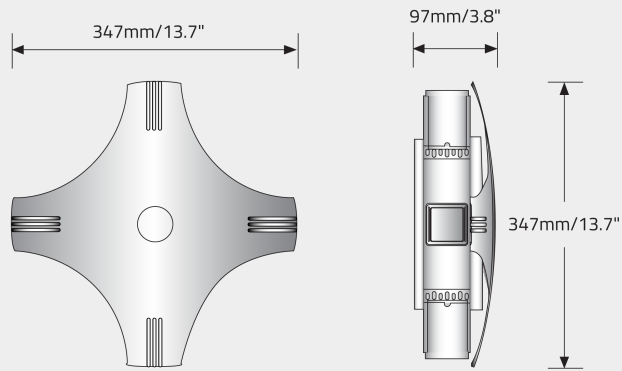
### C SPECIFY DIMMING

DB	Dimming 0-10V, 10%
----	--------------------

### EXAMPLE CODE

664004/30

## DIMENSIONAL DIAGRAMS



## APPROVALS

