



GENERAL SPECIFICATION

Body and trim: Die-cast aluminum.

Finish: Silver powder coated, RAL9006.

Gasketing: Heat resistant silicone.

Power supply cable: Luminaires supplied with 1000mm/39" power supply cable for connection to the remote driver/housing.

Driver housing: Polycarbonate, IP66. Color Light gray RAL 7035. Housing supplied with one cable gland for connection of one blade luminaire to the driver/housing (secondary side). Holes for cable glands require drilling on site by contractor. Conduit and outdoor rated hardware for primary side (by others).

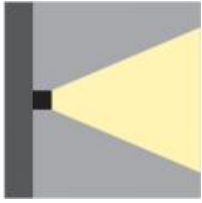
Driver: HPF, electronic, 120/277V (EU-240V). Supplied within housing.

Minimum Starting Temperature: -30°C.

Mechanical: Fixtures mount directly to any surface in any orientation. Fixtures require connection to the remote driver housing. Mounting of luminaire and driver housing via outdoor rated hardware (by others).

Delivered Lumens: Delivered lumens & LPW based on 3000K (min 80 CRI).

MOUNTING & OPTICS



Ext-Wall



Narrow



Medium



Twin Narrow

HOW TO ORDER

A SPECIFY LUMINAIRE

Code	3W	Beam	Delivered lms
66 1004	Narrow Beam	10°	236
66 1014	Twin Beam	2x5°	236
66 1024	Medium Beam	40°	236

B SPECIFY CCT

30	3000K (min 80 CRI)
40	4000K (min 80 CRI)
B	Blue

C SPECIFY HOUSING

66 1090 Driver and Housing for a maximum of 2 Blade luminaires

Additional Information

1. Required

66 1091 Driver and Housing for a maximum of 4 Blade luminaires

Additional Information

1. Required

D SPECIFY ACCESSORIES

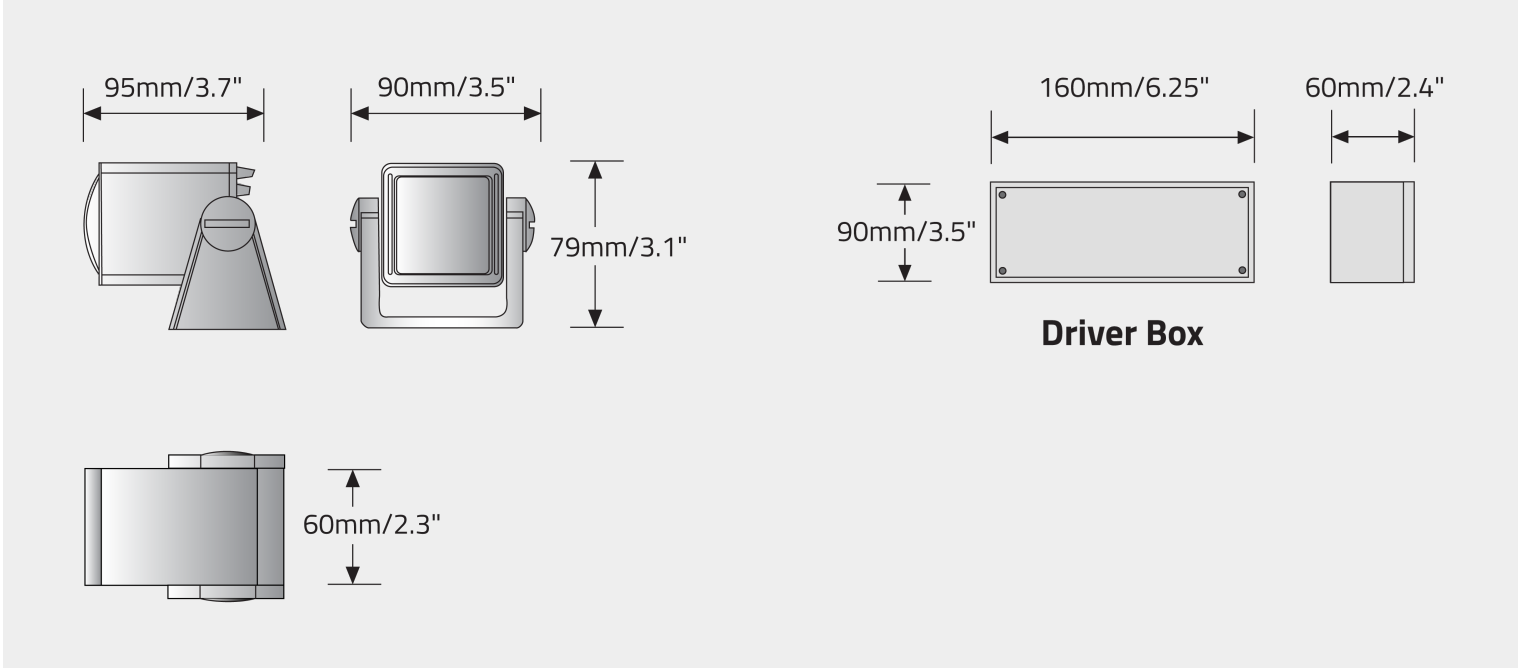
66 1100 Additional Cable Gland (Driver enclosure requires drilling on site by contractor)

66 1120 Picket for ground installation

EXAMPLE CODE

661004/30 + 661090

DIMENSIONAL DIAGRAMS



APPROVALS

