



GENERAL SPECIFICATION

Housing: Die-cast and extruded (low copper) aluminium. Front housing hinges open for access and secures via a bolt hidden behind a spring loaded flap. Central perforated mesh band, optional (PM).

Finish: Exterior grade, metallic powder coated paint.

Gaskets: One piece silicone.

Diffuser: UV stabilised polycarbonate.

LED arrangement: Single LED to illuminate front diffuser. Single LED for narrow beam. Three LEDs for wide beam.

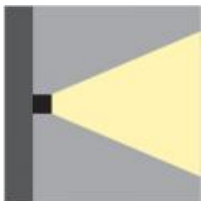
Drivers: HPF, electronic, 120-277V (EU-240V).

Minimum Starting Temperature: -25°C (-13°F).

Mechanical: Mounts directly over a standard electrical junction box (by others - North America only). Mounting hardware (by others).

Delivered Lumens: Delivered lumens & LPW based on 3000K (min 80 CRI).

MOUNTING & OPTICS



Ext-Wall

HOW TO ORDER

A SPECIFY LUMINAIRE

Code	Power (LED)	Beam
32 0201	8W	Narrow/Narrow
32 0211	12W	Narrow/Wide
32 0221	17W	Wide/Wide
32 0231	5W	Single Narrow
32 0241	10W	Single Wide

B SPECIFY CCT

30	3000K (min 80 CRI)
40	4000K (min 80 CRI)

C SPECIFY FASCIA

ER	Elliptical Rings
TB	Twin Bars

D SPECIFY FINISH

MS	Silver Metallic
MB	Metallic Bronze
F39	Other painted finish (RAL number required)
F40	Other Non-RAL painted finish (sample chip required)

Additional Information

F39 & F40 have a one time set-up charge regardless of quantity.

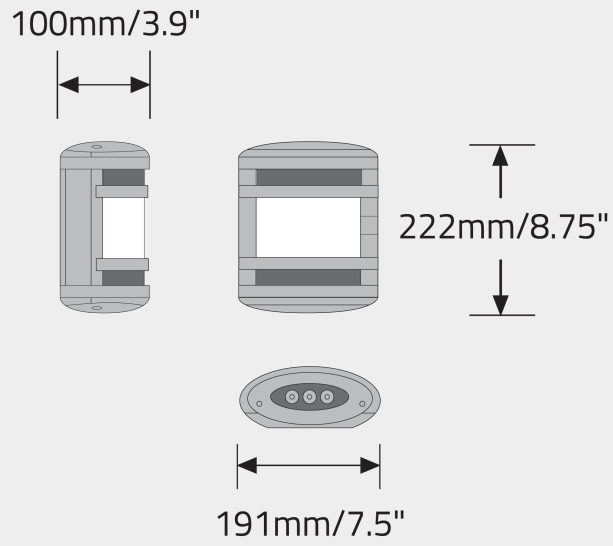
E SPECIFY OPTIONS

PM	Perforated Band (applies to middle section only)
----	--

EXAMPLE CODE

320201/30/ER/MS

DIMENSIONAL DIAGRAMS



APPROVALS

