

GENERAL SPECIFICATION

Housing: Low copper, die-cast aluminum highly resistant to oxidation.

Diffuser: 5mm/0.2" tempered glass.

Gasket: Silicone.

Finish: Powder coated.

Reflectors: High purity aluminum.

External screws: A4 stainless steel treated with highly antioxidant water-repellent lubricating solution to ensure easy opening.

Cable entry: Type A, M16 gland for DIA 5- 10mm/0.22-0.4" cables. Type B, Double silicon cable gland for DIA 10- 14mm/0.4-0.5" cables.

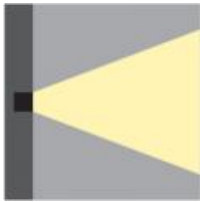
Drivers: HPF, electronic 120-277V.

Rough-in housing: Thermoplastic.

Mechanical: For wall installation in poured concrete/brick.

**Initial lumens based on 3000K (min 80 CRI).*

MOUNTING & OPTICS



Ext-Wall Recessed

HOW TO ORDER

A SPECIFY LUMINAIRE

Code	Power	Initial Lumens	Dimensions
820 7410	1W Half Louver	75lm	Type A
820 7412	1W Full Louver	75lm	Type B
820 7414	3W Half Louver	225lm	Type C
820 7416	3W Full Louver	225lm	Type D

B SPECIFY CCT

30	3000K (min 80 CRI)
40	4000K (min 80 CRI)

C SPECIFY FINISH

BL	Black
AG	Anthracite Gray
GR	Light Gray

D SPECIFY OPTIONS

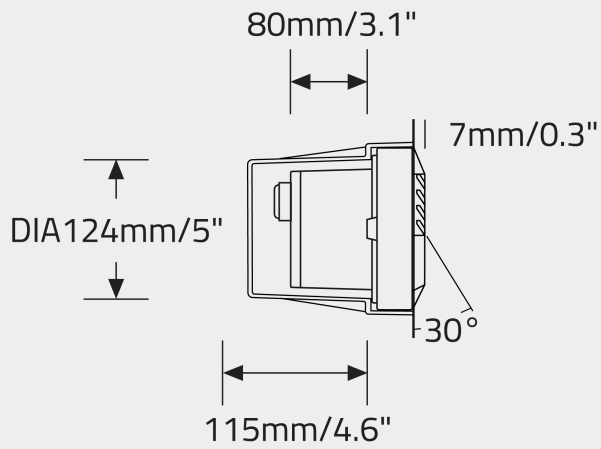
DB	Dimming (Trailing Edge, 120V only)
TF	Turtle Friendly Amber LEDs (0.35 of 3000K lms)
SC	Second Cable Entry

E SPECIFY ROUGH-IN HOUSING (REQUIRED)

RIH5297	Rough-In Housing (Types A & B)
RIH5301	Rough-In Housing (Types C & D)

EXAMPLE CODE

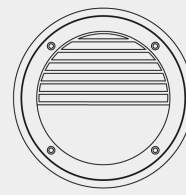
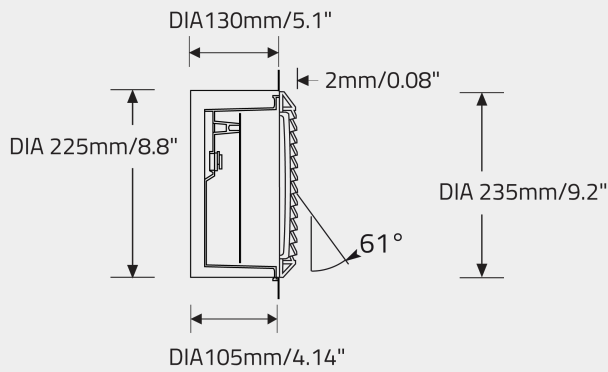
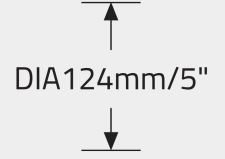
DIMENSIONAL DIAGRAMS



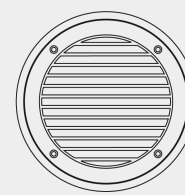
Type A



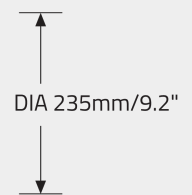
Type B



Type C



Type D



APPROVALS

