



GENERAL SPECIFICATION

Body and trim: Low copper, die-cast aluminum highly resistant to oxidation.

Diffuser: 8mm/0.3" tempered glass.

Bezel: Stainless steel.

Gasket: Silicone.

Finish: Double powder coating polyester high resistant to UV and oxidation.

Reflectors: High purity aluminum.

External screws: A4 stainless steel treated with highly antioxidant water-repellent lubricating solution to ensure easy opening.

Cable entry: M20 cable gland for DIA 6-12mm/0.24-0.47" cables.

Drivers: HPF, electronic 120/277V.

Walk over: Static pressure load 500Kg/1100lbs.

Rough-in housing: Thermoplastic.

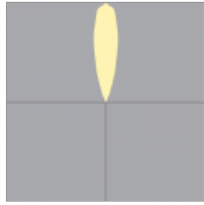
Mechanical: For in-ground or wall installation in poured concrete or brick.

**Delivered lms based on 3000K (min 80 CRI).*

MOUNTING & OPTICS



Ext-Inground



Medium

HOW TO ORDER

A SPECIFY LUMINAIRE

Code	Power (LED)	Distibution	Delivered lms	Length (A)
810 7228	9W	Medium 24	990	15" (375mm)
810 7230	18W	Medium 24	1980	25" (635mm)
810 7232	27W	Medium 24	2957	37" (930mm)
810 7234	36W	Medium 24	3959	48.5" (1230mm)

B SPECIFY CCT

30	3000K (min 80 CRI)
40	4000K (min 80 CRI)

C SPECIFY OPTIONS

SC	Second Cable Entry
DB	Dimming (0-10V, 10%)

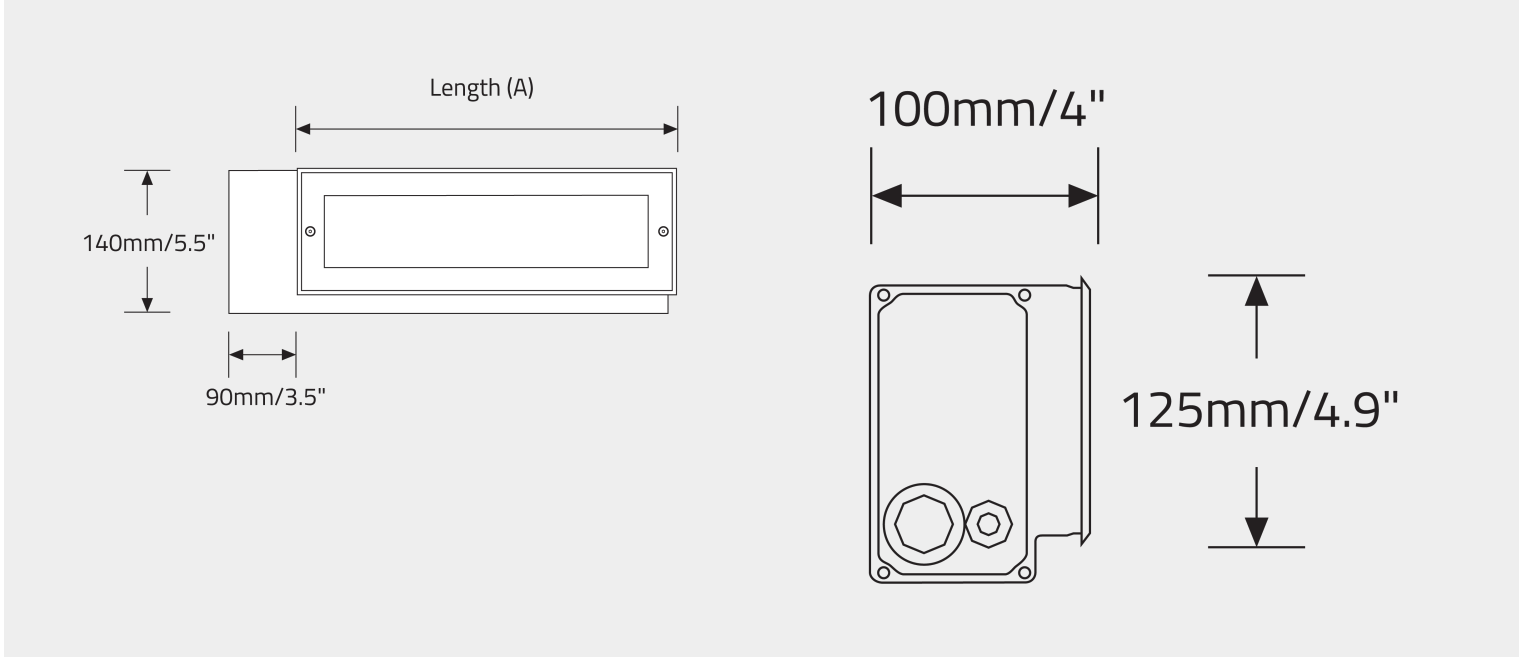
D SPECIFY ROUGH-IN HOUSING (REQUIRED)

RIH280	Rough-In Housing for 375mm/15" Luminaires
RIH281	Rough-In Housing for 635mm/25" Luminaires
RIH282	Rough-In Housing for 930mm/37" Luminaires
RIH283	Rough-In Housing for 1230mm/48.5" Luminaires

EXAMPLE CODE

8107228/30 + RIH280

DIMENSIONAL DIAGRAMS



APPROVALS



IP67