

GENERAL SPECIFICATION

Housing: Die-cast aluminum. Walk over 1000Kg/2200lbs.

External Screws: Stainless steel.

Lens: 6mm/0.25" sandblasted glass with clear windows for LEDs.

Gaskets: One piece silicone.

Drivers: HPF, electronic for 120-277V (EU-240V).

Minimum Starting Temperature: -30°C.

Conduit entry: PG11 gland for 11mm/0.625" DIA cable.

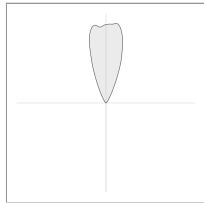
Recessed housing: Molded polypropylene, gray, with stainless mounting trim. Specify as a separate line item.

Delivered Lumens: Delivered lumens and LPW based on 3000K (min 80 CRI).

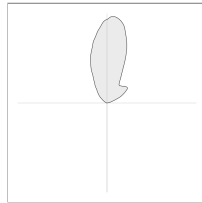
MOUNTING & OPTICS



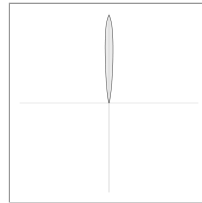
Ext-Inground



81 0107-7W-36 DEG



81 0108-7W-WALL



81 0109-7W-10 DEG

HOW TO ORDER

A SPECIFY LUMINAIRE

Code	Power	Type	Distribution	Delivered lms
81 0108	7W	Glass Only	Wall	396
81 0109	7W	Glass Only	Inground 10°	466
81 0107	7W	Glass Only	Inground 36°	466

B SPECIFY CCT

30	3000K (min 80 CRI)
40	4000K (min 80 CRI)

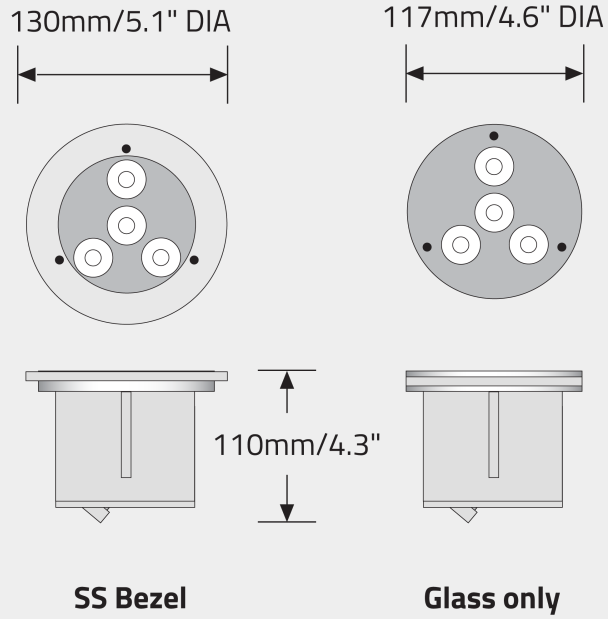
C SPECIFY RECESSED HOUSING (REQUIRED)

81 0900	Recessed Housing for Wall Installation
81 0901	Recessed Housing for Inground Installation

EXAMPLE CODE

810108/30 + 810900

DIMENSIONAL DIAGRAMS



APPROVALS

