



GENERAL SPECIFICATION

Body and trim: Low copper, die-cast aluminum highly resistant to oxidation.

Diffuser: 10mm/0.36" tempered glass. IK 10 Mechanical resistant 20 Joule.

Gasket: Silicone.

Finish: Powder coated.

External screws: A4 stainless steel treated with highly antioxidant water-repellent lubricating solution to ensure easy opening.

Cable entry: PG13.5 gland for DIA 6-12mm/0.24-0.47" cables.

Drivers: HPF, electronic.

Walk over: Static pressure load 6000Kg/13000lbs.

Rough-in housing: Thermoplastic.

Mechanical: For in-ground or wall installation in poured concrete.

**Initial lumens based on 3000K (min 80 CRI).*

MOUNTING & OPTICS



Ext-Inground

HOW TO ORDER

A SPECIFY LUMINAIRE

| Code | Power (LED) | Distribution | Initial Lumens | Max Surface Temp |
|-----------------|-------------|-----------------|----------------|------------------|
| 810 7300 | 1W | Single Aperture | 10 | 63F (17C) |
| 810 7302 | 2W | Twin Aperture | 2 x 10 | 63F (17C) |
| 810 7304 | 3W | Triple Aperture | 3 x 10 | 63F (17C) |

B SPECIFY CCT

| | |
|-----------|--------------------|
| 30 | 3000K (min 80 CRI) |
| 40 | 4000K (min 80 CRI) |

C SPECIFY FINISH

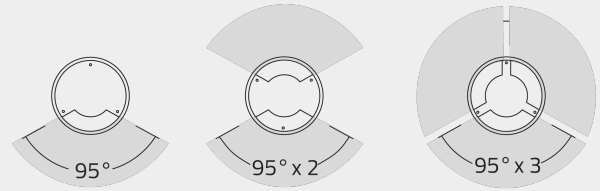
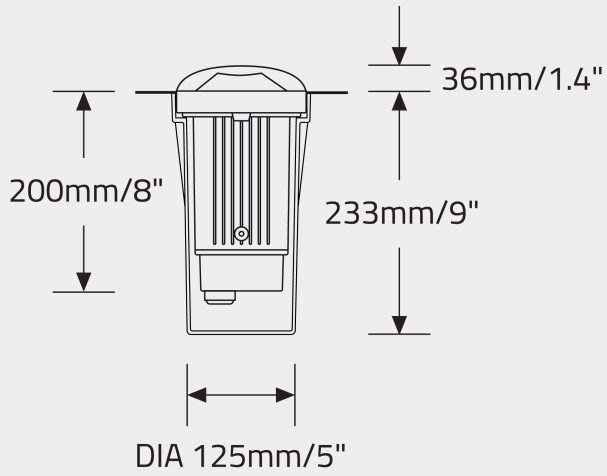
| | |
|-----------|-----------------|
| BL | Black |
| AG | Anthracite Gray |
| GR | Light Gray |

D SPECIFY ROUGH-IN HOUSING (REQUIRED)

| | |
|----------------|------------------|
| RIH5732 | Rough-In Housing |
|----------------|------------------|

EXAMPLE CODE

DIMENSIONAL DIAGRAMS



APPROVALS



IP67