



GENERAL SPECIFICATION

Housing: Die-cast aluminium highly resistant to oxidation.

Bezel: Stainless steel.

Rough-In housing: Polypropylene ordered separately.

Drainage Area: 300mm/12".

Diffusers: 15mm/.06" sodium calcium tempered glass.

Sealing Gasket: Silicone.

Cable Entry: PG13.5 brass cable gland for 6mm/0.24 - 12mm/0.47" diameter cables.

Drive Over Fixture: Static pressure load 2500Kg/5500lbs.

External screws: A4 stainless steel treated with highly antioxidant water-repellent lubricating solution to ensure easy opening.

Drivers: HPF, electronic 120/277V, 0-10V dimming (optional).

Finish: Double powder coating polyester high resistant to UV and oxidation.

Delivered Lumens: Delivered lumens & LPW based on 3000K (min 80 CRI).

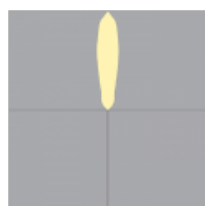
MOUNTING & OPTICS



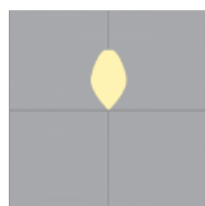
Ext-Inground



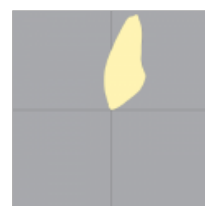
13°



24°



60°



Asymmetric 48°

HOW TO ORDER

A SPECIFY LUMINAIRE

Code	Power (LED)	Delivered lms	Beam	Type
810 5310	15W	2063	Spot 13°	A
810 5312	26W	3194	Medium 24°	A
810 5314	26W	3133	Wide 60°	A
810 5316	26W	2314	Asymmetric 48°	A
810 5320	15W	2063	Spot 13°	B
810 5322	26W	3194	Medium 24°	B
810 5324	26W	3133	Wide 60°	B
810 5326	26W	2314	Asymmetric 48°	B

B SPECIFY CCT

30	3000K (min 80 CRI)
40	4000K (min 80 CRI)

C SPECIFY DIMMING

DB	Dimming (0-10V, 10%)
-----------	----------------------

D SPECIFY ANTI SLIP LENS

AS	Anti Slip Lens (Type A only)
-----------	------------------------------

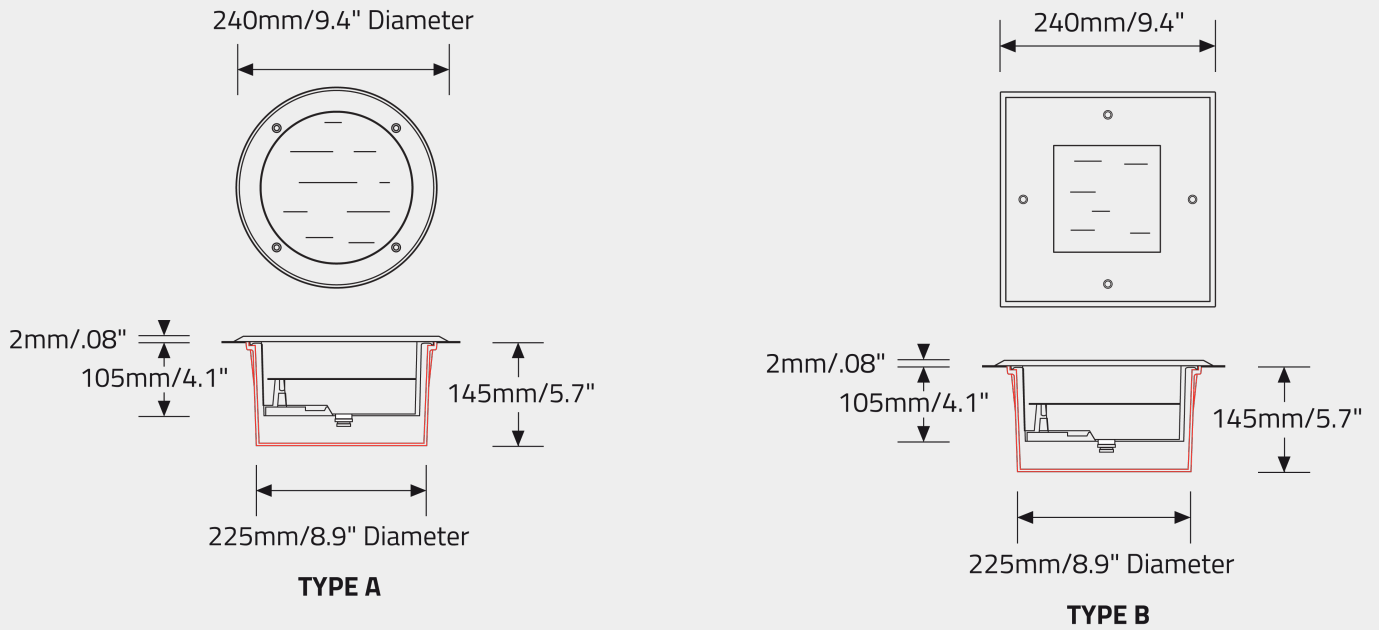
E SPECIFY ROUGH-IN HOUSING (REQUIRED)

RIH017	Rough-In Housing
---------------	------------------

EXAMPLE CODE

8105310/30 + RIH017

DIMENSIONAL DIAGRAMS



APPROVALS



IP67