



GENERAL SPECIFICATION

Housing: Low copper, die-cast aluminum highly resistant to oxidation.

Diffuser: 10mm/0.39" tempered glass (12mm/0.47" stainless steel version), Type B 15mm/0.59". IK 07 Mechanical resistant 2 Joule.

Bezel: Stainless steel or trimless glass.

Gasket: Silicone.

Finish: Double powder coating polyester high resistant to UV and oxidation.

Reflectors: High purity aluminum.

External screws: A4 stainless steel treated with highly antioxidant water-repellent lubricating solution to ensure easy opening.

Cable entry: M20 cable gland for DIA 6-12mm/0.24-0.47" cables.

Drivers: HPF, electronic for 120-277V. Dimming 0-10V.

Walk over: Static pressure load 500Kg/1100lbs.

Rough-in housing: Thermoplastic.

Mechanical: For in-ground installation in poured concrete.

**Delivered lms based on 3000K (min 80 CRI).*

MOUNTING & OPTICS



Ext-Inground

HOW TO ORDER

A SPECIFY LUMINAIRE

Code	Power (LED)	Distribution	Delivered lms	Type
810 7050	22W	Spot 13	2752	A
810 7052	39W	Asymmetric 48	3326	A
810 7054	39W	10 Spot	4062	A
810 7056	39W	71 Flood	3505	A
810 7070	22W	Spot 13	2752	B
810 7072	39W	Asymmetric 48	3326	B
810 7074	39W	10 Spot	4062	B
810 7076	39W	71 Flood	3505	B

B SPECIFY CCT

30	3000K (min 80 CRI)
40	4000K (min 80 CRI)

C SPECIFY OPTIONS

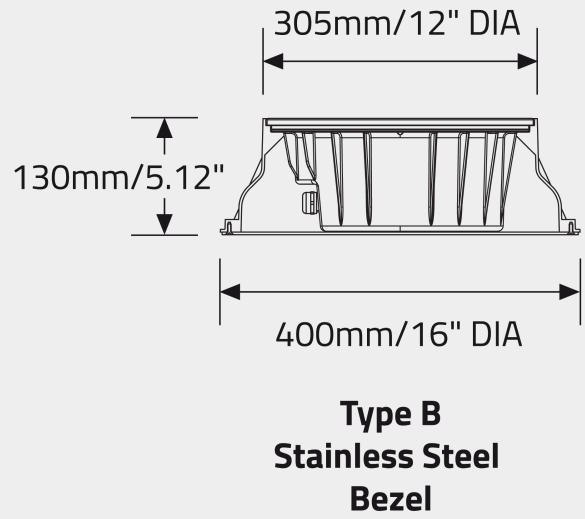
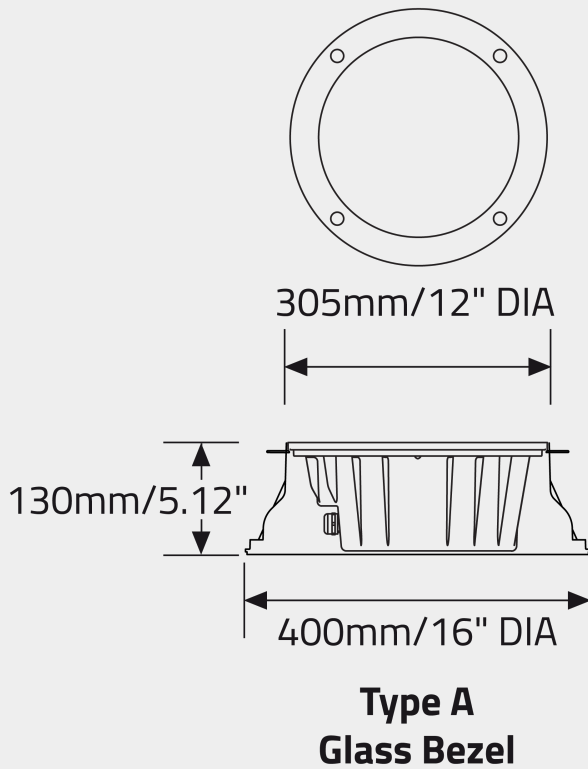
AS	Anti-Slip Glass
DB	Dimming (0-10V, 10%)

D SPECIFY ROUGH-IN HOUSING (REQUIRED)

RIH1720	Rough-In Housing for Type A - Glass Bezel
RIH1721	Rough-In Housing for Type B - Stainless Steel Bezel

EXAMPLE CODE

DIMENSIONAL DIAGRAMS



APPROVALS

