

# REUL CL™



Project Name:

Fixture Type:

Fixture Code:

Quantities:

## A. LUMINAIRE

**232031** 28°, 2678 lms

**232032** 71°, 1962 lms

**232041** 28°, 3849 lms

**232042** 71°, --- lms

## B. CCT

**30** 3000K (min 80 CRI)

**40** 4000K (min 80 CRI)

## C. FINISH

**BL** Black Metallic Textured

**AG** Anthracite Gray

**GR** Light Gray

## D. OPTIONS

**DB** Dimming (0-10V, 10%) <sup>1</sup>

**SW** Swivel Canopy

<sup>1</sup> Dimming equal to less than 10%.

## E. SUSPENSION

**TS1** 18" Tube Suspension/Canopy

**TS2** 24" Tube Suspension/Canopy

**TS3** 30" Tube Suspension/Canopy

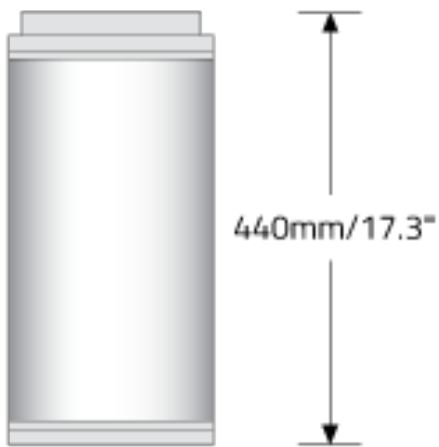
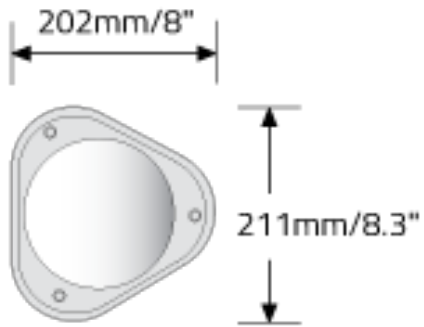
**TS4** 36" Tube Suspension/Canopy

1. Only available in black.



# REUL CL™

## DIMENSIONAL DIAGRAMS



**Pendant Canopy**