



GENERAL SPECIFICATION

Body and trim: Die-cast aluminum.

Finish: Powder coated, Aluminum Grey or Graphite Satin.

Lens: Tempered safety glass.

Gaskets: Heat resistant silicone.

External screws: 304 stainless steel.

Minimum Starting Temperature: -30°C.

Drivers for white LED: Integral, HPF electronic for 120-277V.

Mechanical: Mounts directly over a 2" x 3" electrical junction box (by others).

Delivered Lumens: Delivered lumens & LPW based on 3000K (min 80 CRI).

MOUNTING & OPTICS



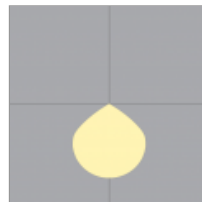
Ext-Wall Downlight



Ext-Wall Up/Down



Narrow



Flood

HOW TO ORDER

A SPECIFY LUMINAIRE

Code	Beam	Beam °	Wattage	Delivered lms
66 1030	Wide	101°	13W	670
66 1040	Wide/Wide	101°/101°	11W + 11W	630 + 630
66 1050	Wide/Narrow	101°/3x33°	13W + 3W	666 + 18
66 1060	Narrow/Narrow	3x33°/3x33°	3W + 3W	24 + 24
66 1070	Narrow	3x33°	3W	24

B SPECIFY CCT

30	3000K (min 80 CRI)
40	4000K (min 80 CRI)

C SPECIFY FINISH

AL	Aluminum Gray
GS	Graphite Satin

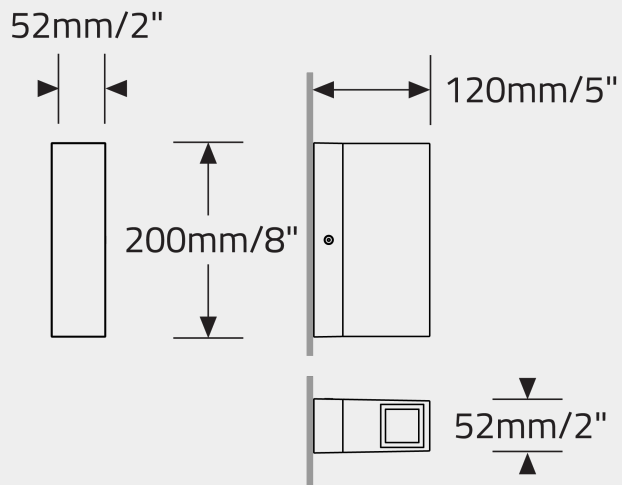
D SPECIFY DIMMING

DB	Dimming 13W and higher, 0-10V, 10%
----	------------------------------------

EXAMPLE CODE

661030/30/AL

DIMENSIONAL DIAGRAMS



APPROVALS



IP65

