



## GENERAL SPECIFICATION

**Housing:** Round metal frame consisting of modules combined together for electrical and mechanical connection. Bubble 3D supplied in the following diameters: 1000mm (39.4"), 1800mm (70.9") and 2800mm (110.0").

**Diffusers:** Injection molded, UV stabilized, opal polycarbonate. Diffusers are sectional with subtle but visible seams. Bubble 1000, 3 diffusers; Bubble 1800, 8 diffusers and Bubble 2800, 16 diffusers.

**Drivers:** Luminaires supplied with two power supply box included electronic drivers 120/277V, dim 0-10V (10%). Connection of the power cords (approx 6) to the remote drivers by others.

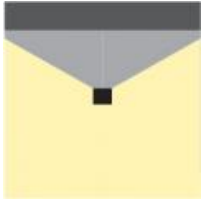
**Power cables:** Luminaires, supplied with 13.5m/35' of cable. Cables can be extended to a maximum overall distance of 20m/64'. *Custom cable lengths can be supplied to special order.*

**Finish:** White RAL 9003.

**Delivered Lumens:** Delivered lumens & LPW based on 3000K (min 80 CRI).

**Note:** *Luminaire composed of 1 x Bubble 2800, 1 x Bubble 1800 and 1 x Bubble 1000 with suspended cables and canopy. Positions fixed as per drawing (see Dimensional Diagrams). Triple Circuit.*

## MOUNTING & OPTICS



Suspended 3 sides



General Diffuse

## HOW TO ORDER

### A SPECIFY LUMINAIRE

Code	Type	Power (LED)	Delivered lms	Weight
<b>BCBT500P</b>	Adjustable	564W+333W+173W	70753	286.6lb (130kg)
<b>BCBT501LP</b>	Low Profile	564W+333W+173W	70753	286.6lb (130kg)

### B SPECIFY CCT

<b>30</b>	3000K (min 80 CRI)
<b>35</b>	3500K (min 80 CRI)
<b>40</b>	4000K (min 80 CRI)

### C SPECIFY ACCESSORIES

**150A031VE** Umbrella tool for assembly/installation of Bubble (required only for 2800mm/110" dia.). Retains structural integrity during the installation process

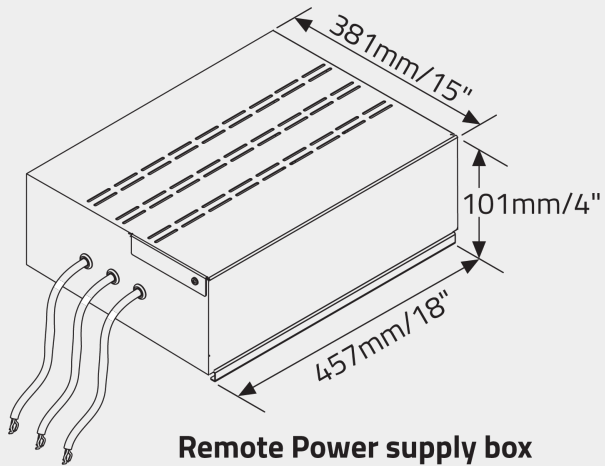
#### Additional Information

1. One required per order

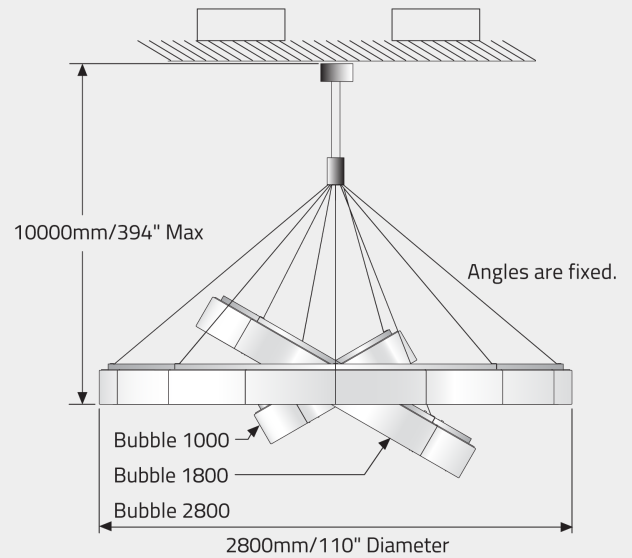
### EXAMPLE CODE

BCBT500P/35

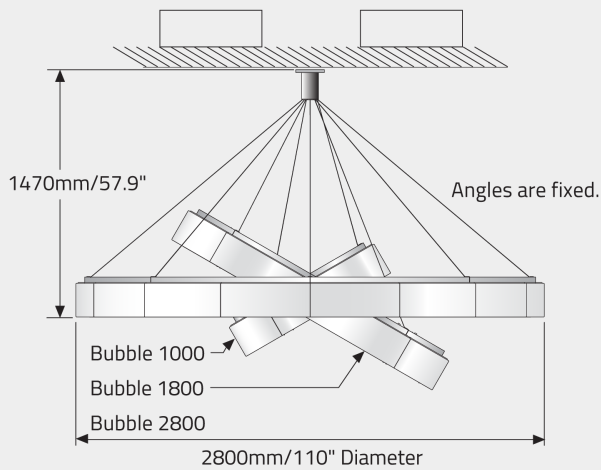
## DIMENSIONAL DIAGRAMS



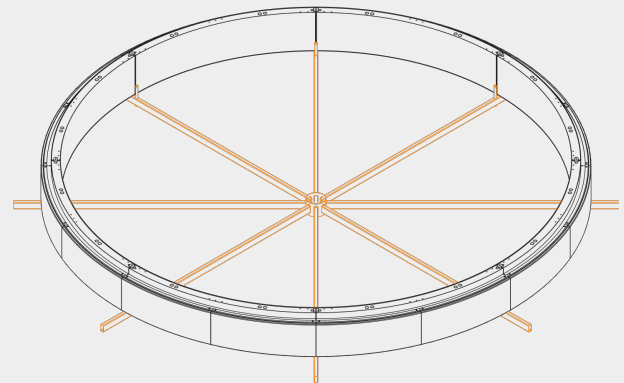
**Remote Power supply box  
(2 required)**



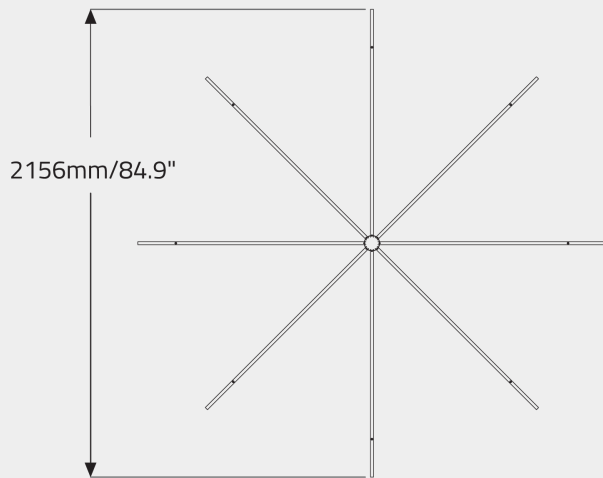
**Adjustable pendant option**



**Low Profile Pendant option**



**Umbrella tool for assembly**



**150A031VE UMBRELLA**

APPROVALS

