

GENERAL SPECIFICATION

Diffuser: Injection moulded opal acrylic with an etched lower band.

Suspension: Twin stainless steel cables.

Power cable: Silver braided.

Disc: Aluminum plate.

Finish: Silver Metallic powder coated paint.

Reflector (optional): Aluminum, frosted finish with vertical facets.

Drivers: HPF electronic, 120/277V (EU-240V). 0-10V, 1% dimming standard.

Emergency systems:

Integral: Emergency option provides a 1.5 hour (3 hours for EU) emergency lighting facility. The self contained system includes the inverter module, NiCad batteries, LED charge indicator and test switch (NA only). Integral emergency luminaires have a 50mm/2" extended ballast housing. Not available with a 347V supply.

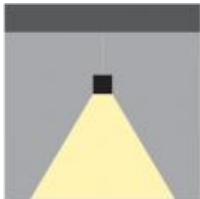
Remote: Emergency option provides a 1.5 hour (3 hours for EU) emergency lighting facility. The remote system includes the inverter module, NiCad batteries and a remote wall/ceiling LED charge indicator and test switch (NA only) Maximum distance between wall/ceiling plate and luminaire is 4.5m/15'. Test switch fits a single gang box (not supplied).

Mechanical: Mounts directly to a junction box (by others - North America only). Mounting hardware (by others).

L70 @25deg C (77deg F): > 50,000 hrs.

Delivered Lumens: Delivered lumens & LPW based on 3000K (min 80 CRI) for White LEDs only.

MOUNTING & OPTICS



Suspended Direct

HOW TO ORDER

A SPECIFY LUMINAIRE

Code	Power (LED)	Delivered lms	LPW	Weight
44 1101	30W	2087	78	24lb (11kg)

B SPECIFY CCT

30	3000K (min 80 CRI)
35	3500K (min 80 CRI)
40	4000K (min 80 CRI)

C SPECIFY DISC FINISH

WH	White
BL	Blue
MS	Silver Metallic
OT	Other Painted Finish (RAL number required)

D SPECIFY DIMMING

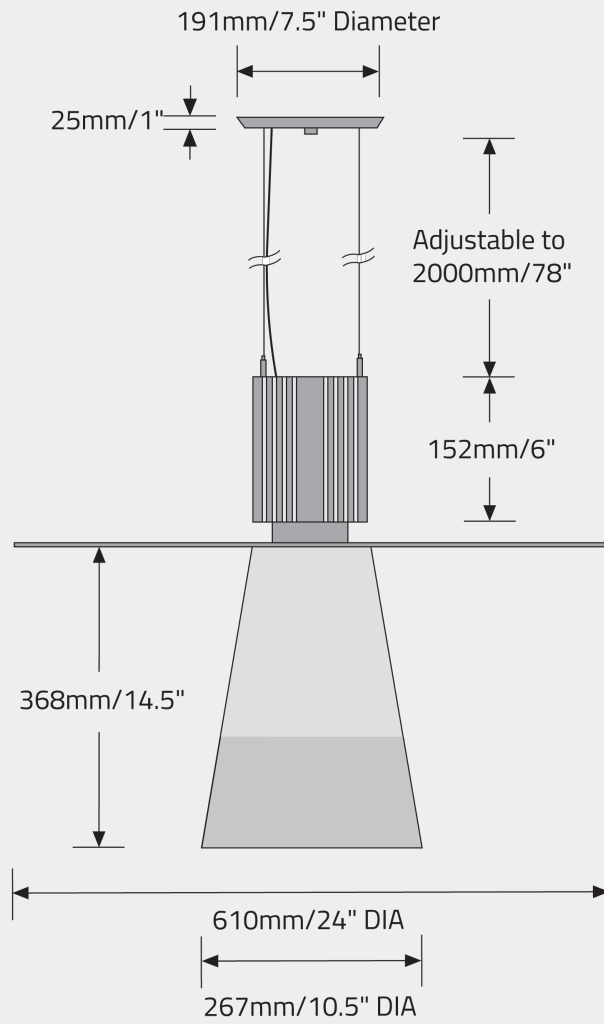
L2	Hi-Lume 1% EcoSystem
-----------	----------------------

E SPECIFY OPTIONS

RF	Internal Faceted Reflector
RE	Remote Emergency
3	347V

EXAMPLE CODE

DIMENSIONAL DIAGRAMS



APPROVALS



IP20