



Project Name:

Fixture Type:

Fixture Code:

Quantities:

A. LUMINAIRE

- | | | | |
|---|--|--|--|
| AF1 12" x 25", Direct, 848 lms | AF2 12" x 45", Direct, 2157 lms | AF3 12" x 94", Direct, 5325 lms | AF4 20" x 30", Direct, 4810 lms |
| AF5 20" SQ, Direct, 2389 lms | AF6 30" SQ, Direct, 9557 lms | AF11 12" x 25", Direct/Indirect, 1692 lms | AF12 12" x 45", Direct/Indirect, 4259 lms |
| AF13 12" x 94", Direct/Indirect, 10099 lms | AF14 20" x 30", Direct/Indirect, 9609 lms | AF15 20" SQ, Direct/Indirect, 4758 lms | AF16 30" SQ, Direct/Indirect, 19033 lms |

B. CCT (DIRECT)

- | | | |
|------------------------------|------------------------------|------------------------------|
| J2 3000K (min 80 CRI) | J3 3500K (min 80 CRI) | J4 4000K (min 80 CRI) |
|------------------------------|------------------------------|------------------------------|

C. CCT (INDIRECT)

- | | | | |
|-------------------------------------|------------------------------|------------------------------|------------------------------|
| K0 Indirect CCT not required | K2 3000K (min 80 CRI) | K3 3500K (min 80 CRI) | K4 4000K (min 80 CRI) |
|-------------------------------------|------------------------------|------------------------------|------------------------------|

D. UPLIGHT DIFFUSER

- | | | |
|---|--------------------------|-------------------------|
| U0 Uplight diffuser not required | U1 Clear diffuser | U2 Opal diffuser |
|---|--------------------------|-------------------------|

E. DIMMING

- | | | | |
|--------------------------------|--------------------------------|--------------------------------------|-------------------------------|
| D1 0-10V Dimming (1.0%) | D2 0-10V Dimming (0.1%) | D3 347V, 0-10V Dimming (1.0%) | D4 DALI Dimming (0.1%) |
| D5 DALI Dimming (1.0%) | D6 DSI (EU only) | D7 switchDim (EU only) | DA45 PoE |

D6 & D7 dimming not available in North America.

DA45 must be used with EV only.

F. FINISH - FRONT FRAME

- | | | | |
|--|--------------------------------------|---|---------------------------------------|
| G1 White | G02 Black Metallic - Textured | G20 Silver Metallic - Textured | G25 Gold Metallic |
| G44 Midnight Blue Metallic - Textured | G45 Copper Metallic | G46 Charcoal Metallic - Textured | G47 Bronze Metallic - Textured |
| G52 Champagne Metallic | G53 Red Metallic - Textured | | |

G. FINISH - BACK FRAME

- | | | | |
|--|--------------------------------------|---|---------------------------------------|
| H1 White | H02 Black Metallic - Textured | H20 Silver Metallic - Textured | H25 Gold Metallic |
| H44 Midnight Blue Metallic - Textured | H45 Copper Metallic | H46 Charcoal Metallic - Textured | H47 Bronze Metallic - Textured |
| H52 Champagne Metallic | H53 Red Metallic - Textured | | |

H. LUMEN OUTPUT (DIRECT)

- | | | |
|-----------------------------------|---|---|
| L0 100% of standard output | L1 Lumen & wattage reduction to approximately 75% of standard output | L2 Lumen & wattage reduction to approximately 50% of standard output |
|-----------------------------------|---|---|

AF1 and AF11 not available with L1 or L2

I. LUMEN OUTPUT (INDIRECT)

- | | | | |
|------------------------------------|--|--|---|
| CF0 100% of standard output | CF1 Lumen & wattage reduction to approximately 75% of standard output | CF2 Lumen & wattage reduction to approximately 50% of standard output | CF3 Indirect lumen output not required |
|------------------------------------|--|--|---|

AF11 not available with CF1 or CF2

J. EMERGENCY

E0 Emergency system not required

E2 Emergency system - Remote

K. SWITCHING

W0 Single circuit

W1 Separate switching (two power cables supplied)

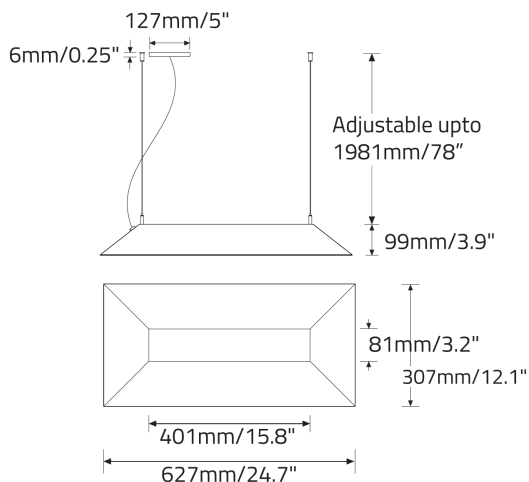
L. OPTIONAL LOW VOLTAGE

EV Low Voltage

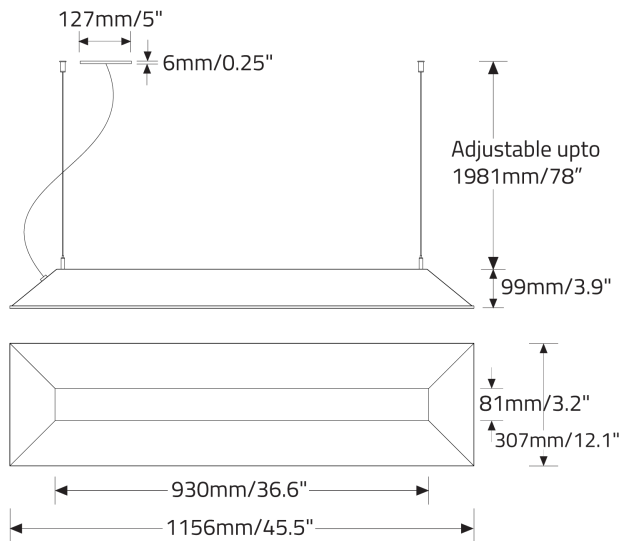
To be used with DA45 only.

DIMENSIONAL DIAGRAMS

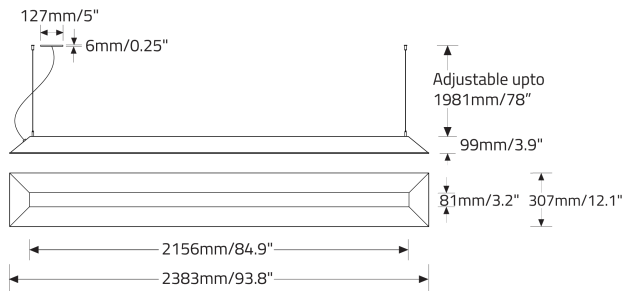
AF1/AF11



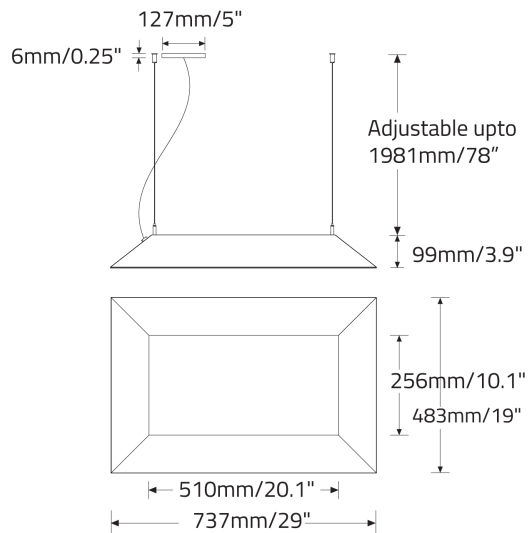
AF2/AF12



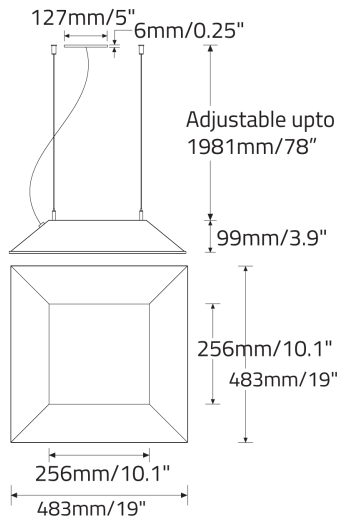
AF3/AF13



AF4/AF14



AF5/AF15



AF6/AF16

