

Project Name:

Fixture Type:

Fixture Code:

Quantities:

A. LUMINAIRE

AG1 12" x 25", 677 lms
AG5 20" SQ, 1907 lms

AG2 12" x 45", 1722 lms
AG6 30" SQ, 7629 lms

AG3 12" x 94", 4249 lms

AG4 20" x 30", 3838 lms

B. CCT

J2 3000K (min 80 CRI)

J3 3500K (min 80 CRI)

J4 4000K (min 80 CRI)

C. DIMMING

D1 0-10V Dimming (1.0%)
D5 DALI Dimming (1.0%)

D2 0-10V Dimming (0.1%)
D6 DSI (EU only)

D3 347V, 0-10V Dimming (1.0%)
D7 switchDim (EU only)

D4 DALI Dimming (0.1%)
DA45 PoE

D6 & D7 dimming not available in North America.

DA45 must be used with EV only.

D. FINISH - FRONT FRAME

G1 White
G44 Midnight Blue Metallic - Textured
G52 Champagne Metallic

G02 Black Metallic - Textured
G45 Copper Metallic
G53 Red Metallic - Textured

G20 Silver Metallic - Textured
G46 Charcoal Metallic - Textured

G25 Gold Metallic
G47 Bronze Metallic - Textured

E. FINISH - BACK FRAME

H1 White
H44 Midnight Blue Metallic - Textured
H52 Champagne Metallic

H02 Black Metallic - Textured
H45 Copper Metallic
H53 Red Metallic - Textured

H20 Silver Metallic - Textured
H46 Charcoal Metallic - Textured

H25 Gold Metallic
H47 Bronze Metallic - Textured

F. LUMEN OUTPUT

L0 100% of standard output

L1 Lumen & wattage reduction to approximately 75% of standard output

L2 Lumen & wattage reduction to approximately 50% of standard output

AG1 not available with L1 or L2

G. EMERGENCY

E0 Emergency system not required

E2 Emergency system - Remote

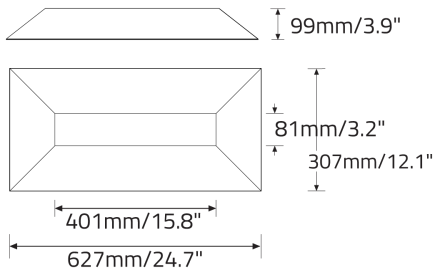
H. OPTIONAL LOW VOLTAGE

EV Low Voltage

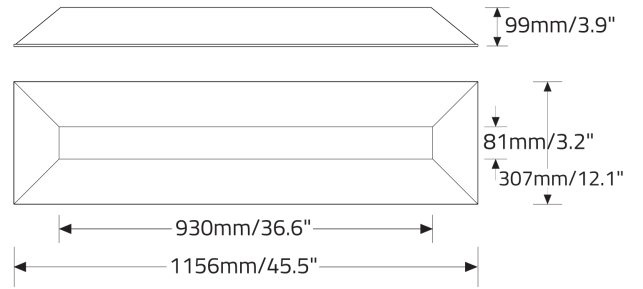
To be used with DA45 only.

DIMENSIONAL DIAGRAMS

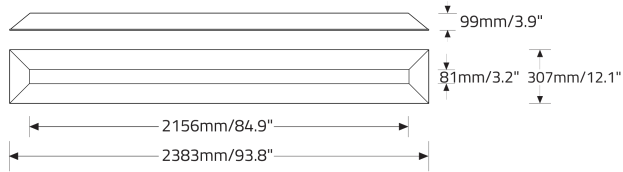
AG1



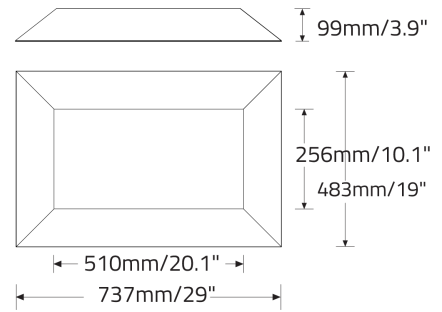
AG2



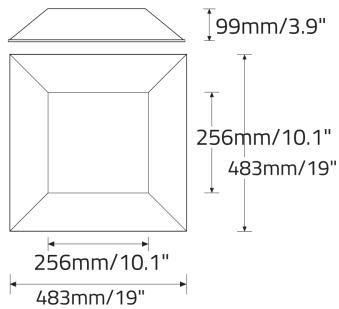
AG3



AG4



AG5



AG6

