

600/1000/1800



GENERAL SPECIFICATION

Housing: Round metal frame consisting of modules combined together for electrical and mechanical connections. Bubble comes in the following diameters: 600mm (23.6"), 1000mm (39.4") and 1800mm (70.9").

Diffusers: Injection molded, UV stabilized, opal polycarbonate. Diffusers are sectional with subtle but visible seams. Bubble 600, 3 diffusers; Bubble 1000, 3 diffusers and Bubble 1800, 8 diffusers.

Power cables: Luminaires supplied with 7.8m/20' of cable. Cables can be extended to a maximum overall distance of 20m/64'. Custom cable lengths can be supplied to special order.

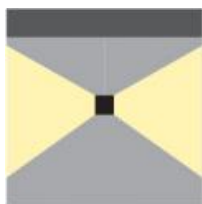
Drivers: Luminaires supplied with HPF electronic drivers, 120/277V. 0-10V dimming standard.

Finish: White RAL 9003.

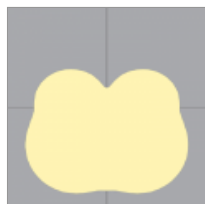
L70 @25deg C (77deg F): > 50,000 hrs.

Delivered Lumens: Delivered lumens & LPW based on 3000K (min 80 CRI).

MOUNTING & OPTICS



Suspended 2 sides



General Diffuse

HOW TO ORDER

A SPECIFY LUMINAIRE

Code	Wattage	Delivered lms	LPW	Diameter (A)	Diameter (B)	Depth (D)	Weight
AL1	96W	6536	68	23.6" (600mm)	17.3" (440mm)	7.5" (191mm)	17.9lbs (8.1kg)
AL2	173W	11433	66	39.4" (1000mm)	31.5" (800mm)	9.5" (241mm)	35.5lbs (16.1kg)
AL3	333W	22038	66	70.9" (1800mm)	63.0" (1600mm)	9.5" (241mm)	72.8lbs (33.0kg)

B SPECIFY CCT

J2	3000K (min 80 CRI)
J3	3500K (min 80 CRI)
J4	4000K (min 80 CRI)

C SPECIFY INTEGRAL LED POWER SUPPLY

CA0	Canopy with driver not required
CA1	Canopy with driver for Bubble 600
CA2	Canopy with driver for Bubble 1000
CA3	Canopy with driver for Bubble 1800

Additional Information

1. Bubble LED integral power supply in canopy.
2. Canopy included.
3. Only select if you do **not** want a **remote** power supply.

D SPECIFY REMOTE LED POWER SUPPLY

X0	Remote power supply not required
X1	Remote power supply for Bubble 600
X2	Remote power supply for Bubble 1000
X3	Remote power supply for Bubble 1800

Additional Information

1. Canopy NOT included
2. Select mounting canopy from Canopies for Remote Power Supply below as a separate line item.
3. Max distance from driver to remote box is 50ft.
4. Only select if you do NOT want integral power supply.

E SPECIFY CANOPY FOR REMOTE LED POWER SUPPLY

Y0	Canopy for remote LED power supply not required
Y1	Canopy for load bearing ceilings (max 32kg/70lbs) for Bubbles 600 & 1000
Y2	Canopy for load bearing ceilings (max 100kg/220lbs) for Bubble 1800
Y3	Canopy for false ceilings (cables are anchored to the load bearing ceiling)

Additional Information

1. Select only when choosing **Remote** LED power supply

F SPECIFY LUMEN OUTPUT

- L0** 100% of standard output
- L1** Lumen & wattage reduction to approximately 75% of standard output
- L2** Lumen & wattage reduction to approximately 50% of standard output

Additional Information

Custom reduction percentages available upon request.

G SPECIFY SURFACE MOUNTING KITS

- BC0** Surface mounting kit not required
- BC1** Surface mounting kit for Bubble 600
- BC2** Surface mounting kit for Bubble 1000
- BC3** Surface mounting kit for Bubble 1800

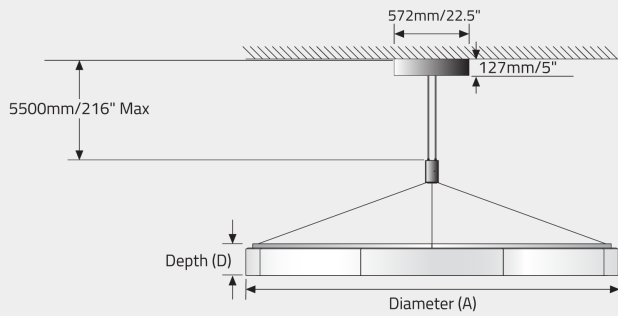
Additional Information

1. For use with luminaires with **remote** power supply only.
2. **Must be ordered with Y3 canopy.**

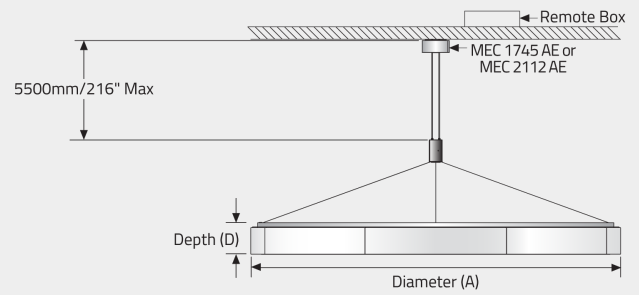
EXAMPLE CODE

AL2/J3/X0/Y0/BC0

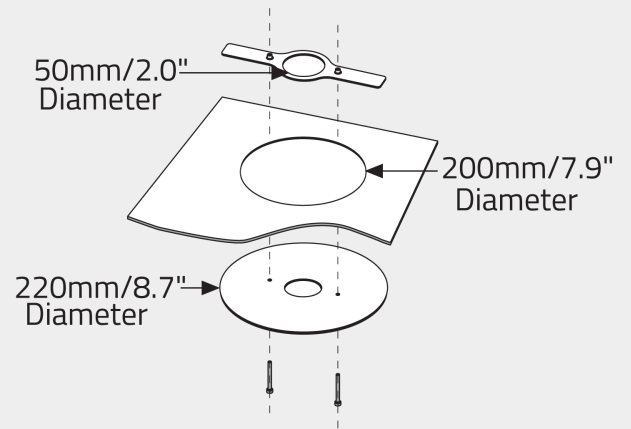
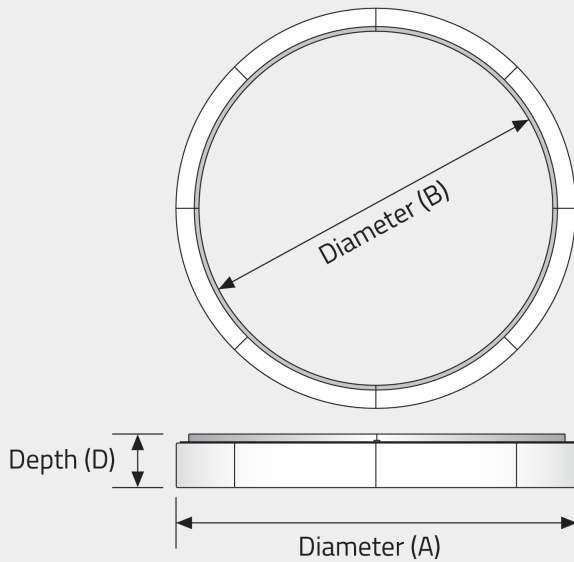
DIMENSIONAL DIAGRAMS



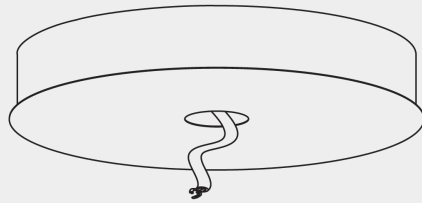
**Adjustable Pendant
with Integral Power Supply**



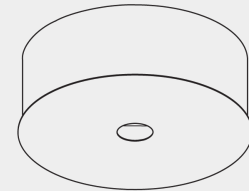
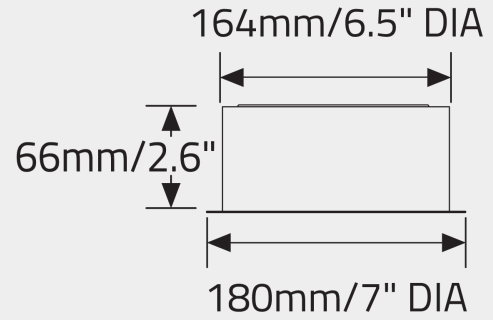
**Adjustable Pendant
with Remote Power Supply**



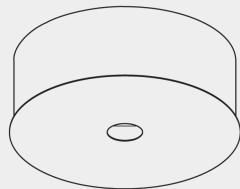
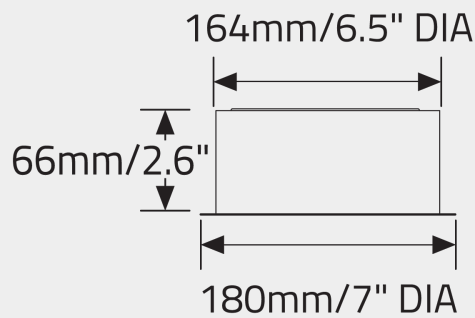
MEC1823AE



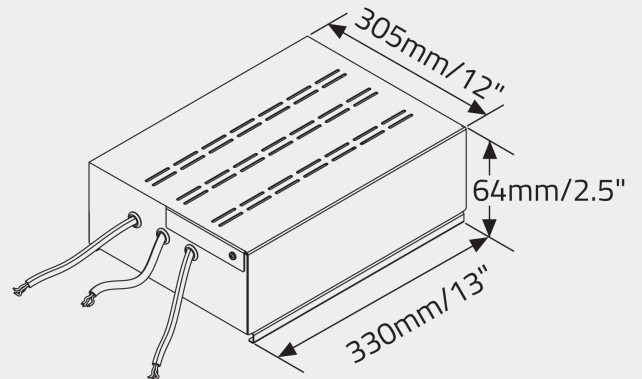
BCLED6/IN
BCLED10/IN
BCLED18/IN



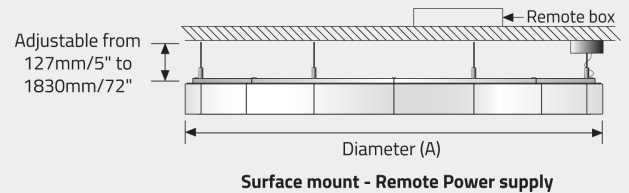
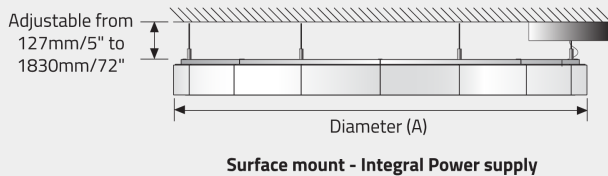
MEC1745AE



MEC2112AE



BCLED6/R
BCLED10/R
BCLED18/R



APPROVALS



IP20