



GENERAL SPECIFICATION

Body and trim: Steel and aluminum

Finials: Cylindrical buttons (CB) are brushed stainless steel.

Finish: Black plate, powder coated gloss white.

Diffuser: Opal acrylic with a sandblasted face.

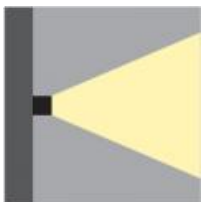
Drivers: HPF, electronic for 120-277V (EU-240V), 0-10V (1.0%) dimming standard.

Mechanical: Luminaire mounts directly to a junction box. Additional mounting positions also provided.

L70 @25deg C (77deg F): > 50,000 hrs.

Delivered Lumens: Delivered lumens and LPW based on 3000K (min 80 CRI).

MOUNTING & OPTICS



Wall

HOW TO ORDER

A SPECIFY LUMINAIRE

Code	Power	Delivered lms	LPW	Height (A)
41 8100	20W	1100	50	12" (305mm)
41 8200	40W	2200	50	24" (610mm)

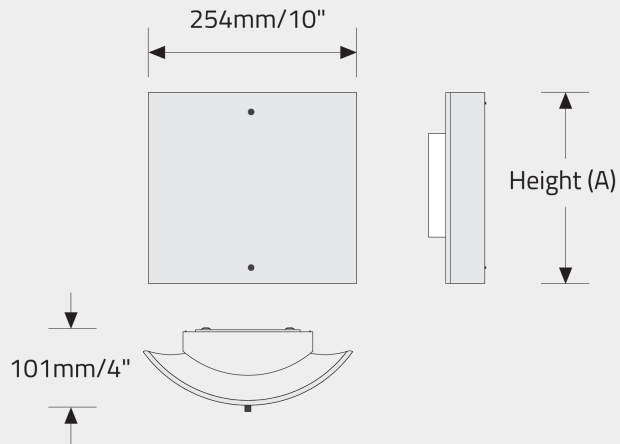
B SPECIFY CCT

30	3000K (min 80 CRI)
35	3500K (min 80 CRI)
40	4000K (min 80 CRI)

EXAMPLE CODE

418100/35

DIMENSIONAL DIAGRAMS



APPROVALS

