



## GENERAL SPECIFICATION

**Body and trim:** Steel and aluminium.

**Array housings:** Die cast aluminium.

**Gimbal:** Fully articulating on two axes.

**Suspension:** Two or four cables, fully adjustable.

**Reflectors:** Highly reflective, specular finish, vacuum plated.

**Protective lens:** Clear glass.

**Power cable:** Silver braided.

**Finish:** Powder coated, as specified.

**Drivers:** HPF electronic for 120-277V (EU-240V). 0-10V dimming (10%).

**L70 @25deg C (77deg F):** > 60,000 hrs.

**Delivered Lumens:** Delivered lumens & LPW based on 3000K (min 80 CRI).

**Approvals:** Damp Location (Indoor use only).

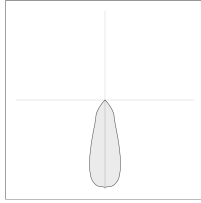
**Note:** Photometric testing performed using LM79 procedures.



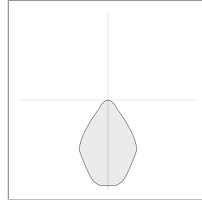
## MOUNTING & OPTICS



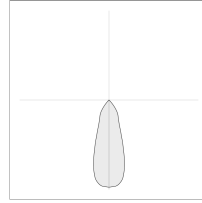
Suspended Direct



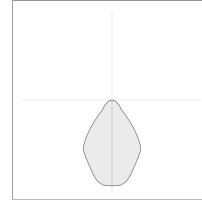
50 1250-SINGLE  
HEAD-ME-36 DEG



50 1250-SINGLE  
HEAD-XW-70 DEG



50 1260-SINGLE  
HEAD-ME-36 DEG



50 1260-SINGLE  
HEAD-XW-70 DEG

## HOW TO ORDER

### A SPECIFY LUMINAIRE

Code	Power (LED)	Delivered lms	LPW	CBCP
50 1250	2 x 26W	2 x 2085	80	4104
50 1260	4 x 26W	4 x 2085	80	4104

### B SPECIFY CCT/CRI

30A	3000K (min 80 CRI)
30B	3000K (min 90 CRI)
35A	3500K (min 80 CRI)
35B	3500K (min 90 CRI)
40A	4000K (min 80 CRI)
40B	4000K (min 90 CRI)

### C SPECIFY REFLECTOR

ME	Medium 36°
XW	Extra Wide 70°

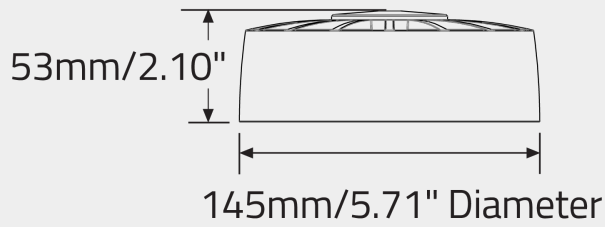
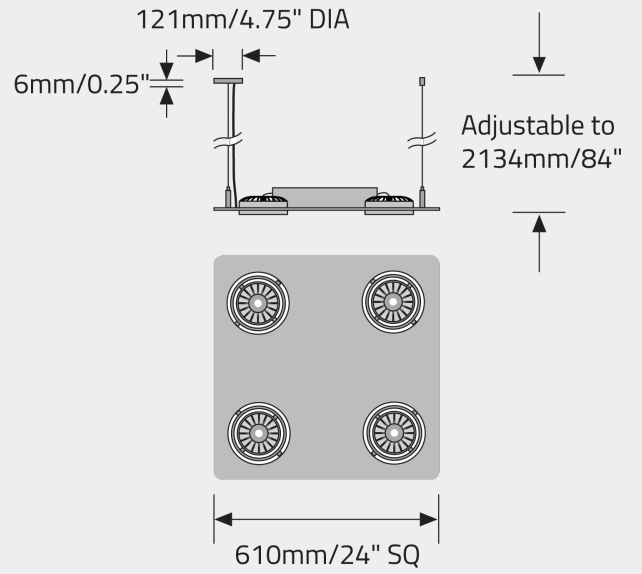
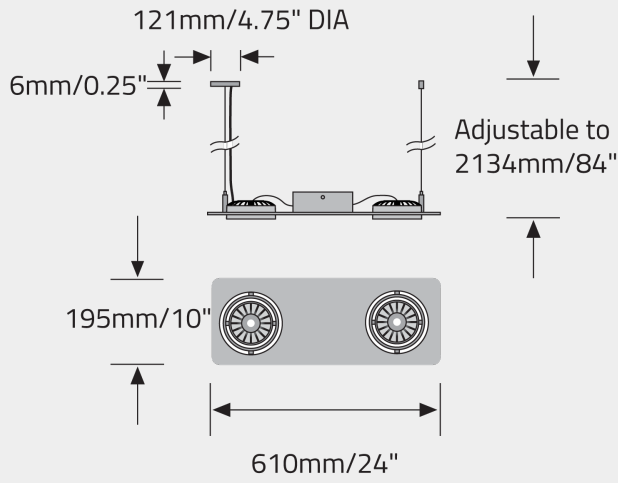
### D SPECIFY FINISH

BL	Black
MS	Silver Metallic
WH	White

### EXAMPLE CODE

501250/30B/ME/BL

## DIMENSIONAL DIAGRAMS



## APPROVALS



DAMP  
LOCATION



IP20