

TRIPLE™ - POWER CORD SUSPENSION



Project Name:

Fixture Type:

Fixture Code:

Quantities:

A. LUMINAIRE

TRPP1P06 6", Direct, 1400 lms	TRPP1P13 13", Direct, 4500 lms	TRPP1P19 19", Direct, 7500 lms	TRPP2P06 6" ¹ , Direct/Indirect, 2800 lms
TRPP2P13 13", Direct/Indirect, 7300 lms	TRPP2P19 19", Direct/Indirect, 11800 lms		

All data shown at max values.

¹ If ordering 1400 lms for TRPP2P06, fixture will require a larger canopy, see canopy section for details.

B. LUMENS (DIRECT)

LMA0070 700 lms	LMA0140 1400 lms ¹	LMA0150 1500 lms	LMA0300 3000 lms
LMA0450 4500 lms	LMA0520 5200 lms	LMA0750 7500 lms ¹	

Consult website for available lumens/fixture.

¹ If ordering 1400 lms for TRPP2P06, fixture will require a larger canopy, see canopy section for details.

C. LUMENS (INDIRECT)

LMB0000 Not required	LMB0100 1000 lms	LMB0140 1400 lms	LMB0150 1500 lms
LMB0200 2000 lms	LMB0230 2300 lms	LMB0290 2900 lms	LMB0430 4300 lms

Consult website for available lumens/fixture.

D. CRI (DIRECT & INDIRECT)

CR80 CRI 80+	CR90 CRI 90+
---------------------	---------------------

E. CCT (DIRECT)

CTA30 3000K	CTA35 3500K	CTA40 4000K
--------------------	--------------------	--------------------

F. CCT (INDIRECT)

CTB00 Not required	CTB30 3000K	CTB35 3500K	CTB40 4000K
---------------------------	--------------------	--------------------	--------------------

G. CCT (GLOW RING)

CTC00 Not required	CTC30 3000K	CTC35 3500K	CTC40 4000K
CTC50 RGBW ¹	CTC54 Red	CTC55 Green	CTC56 Blue

¹ RGBW is supplied with a larger canopy and 2 power cables and is available with DMX driver only. RGBW is not available with 347V.

H. BEAM ANGLE (DIRECT MODULE)

BA15 15°	BA30 30° ¹	BA40 40° ²	BA50 50°
BA70 70°			

¹ Not available with TRPP1P06 & TRPP2P06.

² Available only with TRPP1P06 & TRPP2P06.

³ See website for available beam angles by fixture size.



TRIPLE™ - POWER CORD SUSPENSION

I. UPLIGHT DIFFUSER (UPPER MODULE)

UD0 Not required **UD1** Clear diffuser **UD2** Opal diffuser ¹

¹ 10% reduction in indirect lumens.

J. VOLTAGE

V1 120/277V ¹ **V2** 240V ² **V3** 347V ³

¹ Not available in North America

² Only available with DA01, DB01 & DC01 dimming and TRPP1P13, TRPP2P13, TRPP1P19 & TRPP2P19.

K. DIMMING (DIRECT MODULE)

DA01 0-10V Dimming 1.0% ³ **DA02** 0-10V Dimming 0.1% ¹ **DA20** DALI Dimming 0.1% ¹ **DA21** DALI Dimming 1.0% ^{1 3}
DA30 DSI/switchDim ^{1 2}

¹ Not available with TRPP1P06 or TRPP2P06.

² Not available in North America. Not available with TRPP1P19 or TRPP2P19 with 1500 lms.

³ Not available when ordering TRPP1P13 or TRPP2P13 at 1500 lumens and 347V.

L. DIMMING (INDIRECT MODULE)

DB00 Not required **DB01** 0-10V Dimming 1.0% ³ **DB02** 0-10V Dimming 0.1% ¹ **DB20** DALI Dimming 0.1% ¹
DB21 DALI Dimming 1.0% ¹ **DB30** DSI/switchDim ^{1 2}

¹ Available with TRPP2P13 and TRPP2P19 only.

² Not available in North America. TRPP2P13 is not available when ordering 240V and 1500 lumens. TRPP2P19 is not available when ordering 240V and either 1500 lumens or 2000 lumens.

³ Not available when ordering TRPP1P13 or TRPP2P13 at 1500 lumens and 347V.

M. DIMMING (GLOW RING)

DC00 Not required **DC01** 0-10V Dimming 1.0% **DC02** 0-10V Dimming 0.1% ¹ **DC20** DALI Dimming 0.1% ¹
DC21 DALI Dimming 1.0% ¹ **DC30** DSI/switchDim ^{1 2} **DC40** DMX Dimming

¹ Not available with TRPP1P06 or TRPP2P06.

² Not available in North America.

N. FIXTURE FINISH (UPPER MODULE)

FA01 White **FA02** Black Metallic - Textured **FA20** Silver Metallic - Textured **FA25** Gold Metallic
FA44 Midnight Blue Metallic - Textured **FA45** Copper Metallic **FA46** Charcoal Metallic - Textured **FA47** Bronze Metallic - Textured
FA52 Champagne Metallic **FA53** Red Metallic - Textured

O. FIXTURE FINISH (LOWER MODULE)

FB01 White **FB02** Black Metallic - Textured **FB20** Silver Metallic - Textured **FB25** Gold Metallic
FB44 Midnight Blue Metallic - Textured **FB45** Copper Metallic **FB46** Charcoal Metallic - Textured **FB47** Bronze Metallic - Textured
FB52 Champagne Metallic **FB53** Red Metallic - Textured

P. FIXTURE FINISH (FUNNEL)

FC01 White **FC02** Black Metallic - Textured **FC20** Silver Metallic - Textured **FC25** Gold Metallic
FC44 Midnight Blue Metallic - Textured **FC45** Copper Metallic **FC46** Charcoal Metallic - Textured **FC47** Bronze Metallic - Textured
FC52 Champagne Metallic **FC53** Red Metallic - Textured



TRIPLE™ - POWER CORD SUSPENSION

Q. CANOPY

CN1 Canopy A ¹

CN2 Canopy B ²

CN3 Canopy C ³

CN4 Canopy D *

¹ Drivers are integral within the fixture. Not available with RGBW. Not available with TRPP2P06 (6" Direct/Indirect) when 1400 lumens direct are required.

² Drivers are in the canopy and can be used with RGBW. Available with TRPP2P06 (6" Direct/Indirect) when 1400 lumens direct are required.

³ Drivers are in a remote box and can be used with RGBW for both North America and Europe. Available with TRPP2P06 (6" Direct/Indirect) when 1400 lumens direct are required. For the 6" fixture the max distance for the remote driver is 25ft and for the 13" and 19" fixtures the max distance is 350ft.

For use with V2 (240V) only when RGBW is not required.

R. CANOPY FINISH

CF01 White

CF02 Black Metallic - Textured

CF20 Silver Metallic - Textured

CF25 Gold Metallic

CF44 Midnight Blue Metallic - Textured

CF45 Copper Metallic

CF46 Charcoal Metallic - Textured

CF47 Bronze Metallic - Textured

CF52 Champagne Metallic

CF53 Red Metallic - Textured

S. EMERGENCY SYSTEM

E0 Not required

E2 Emergency system - Remote

T. CIRCUITS

CS1 Single circuit ¹

CS2 Dual circuit ²

CS3 Triple circuit ³

¹ The entire fixture will be on one circuit, 1 power cable will be supplied. If RGBW is being ordered for the Glow ring then 2 power cables will be supplied.

² Glow ring will be on a separate circuit from the main fixture. One power cable will be supplied. If RGBW is being ordered for the Glow ring then 2 power cables will be supplied. If Glow Ring is not selected, then direct and Indirect will be on a separate circuit.

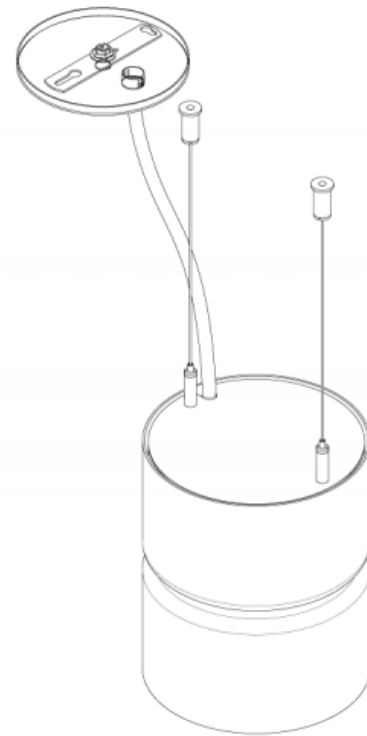
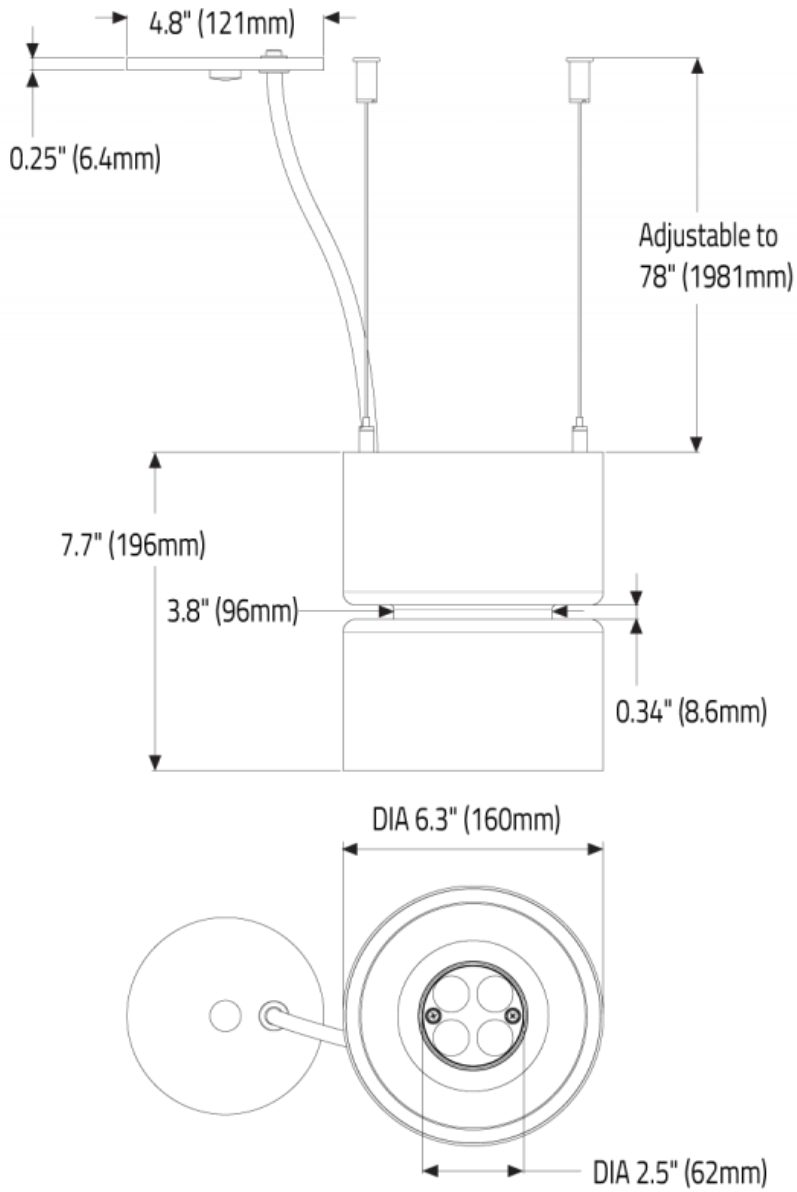
³ Direct, Indirect and Glow ring will all be on separate circuits. Two power cables will be supplied. When ordering with TRPP2P06 and CN2/CN3 canopy and no RGBW, 1 power cord will be supplied.



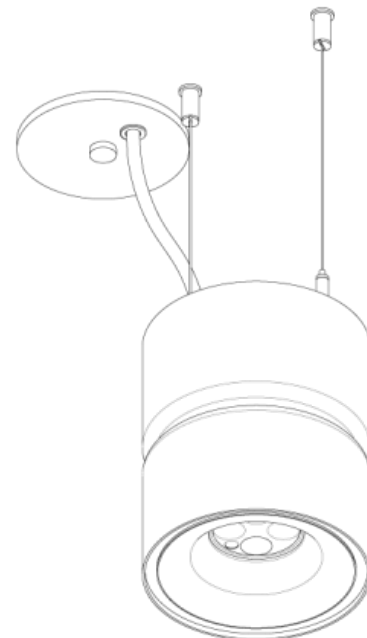
TRIPLE™ - POWER CORD SUSPENSION

DIMENSIONAL DIAGRAMS

6" Diameter



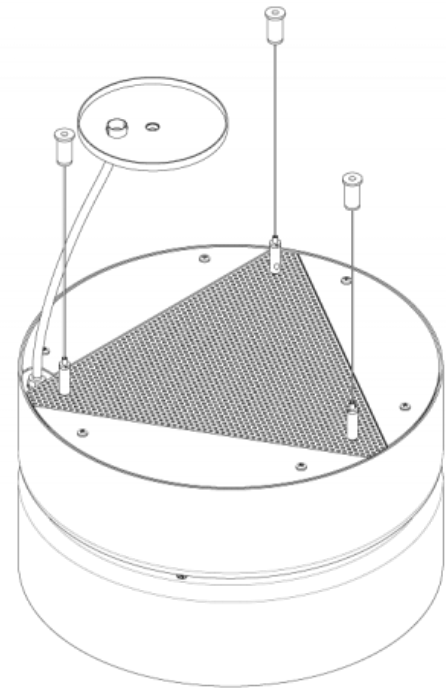
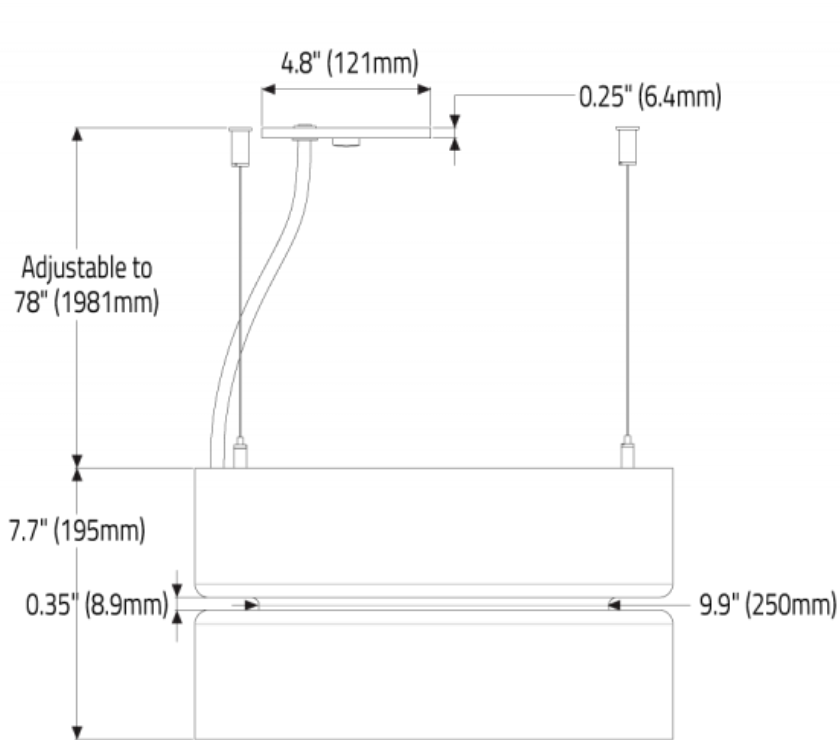
ISO View - Top



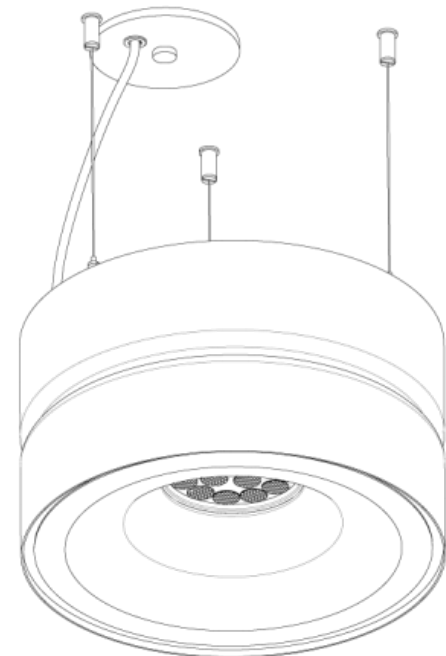
ISO View - Bottom

TRIPLE™ - POWER CORD SUSPENSION

13" Diameter



ISO View - Top

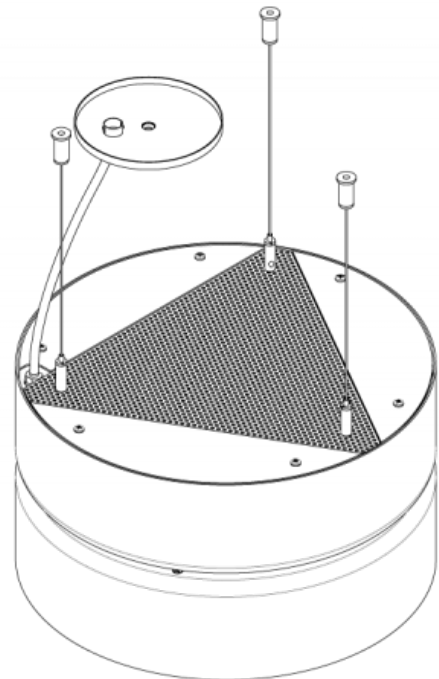
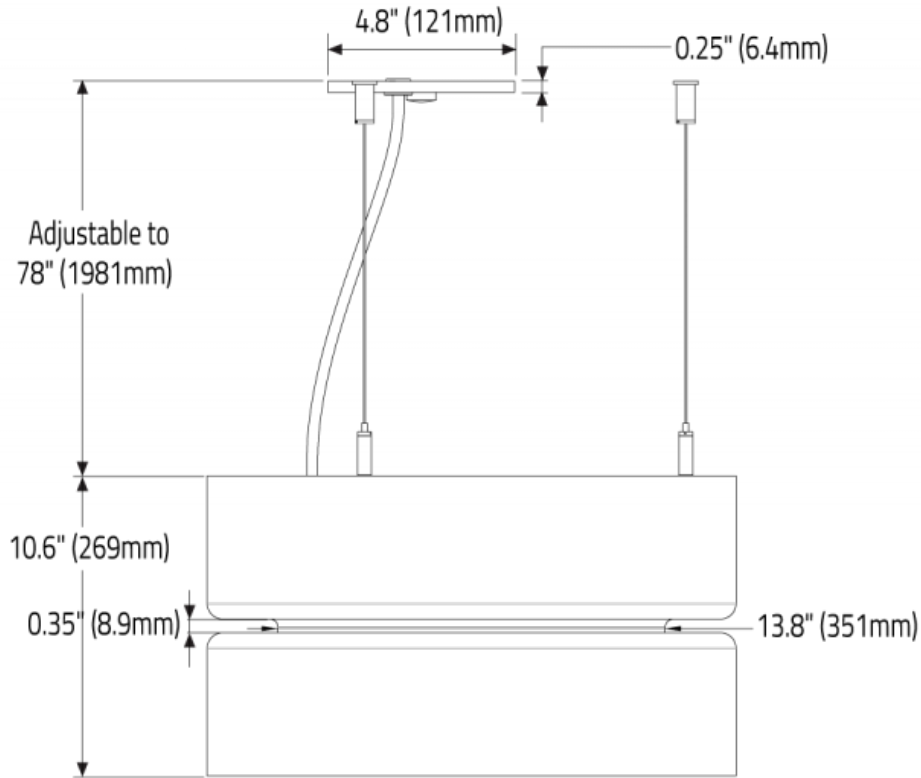


ISO View - Bottom

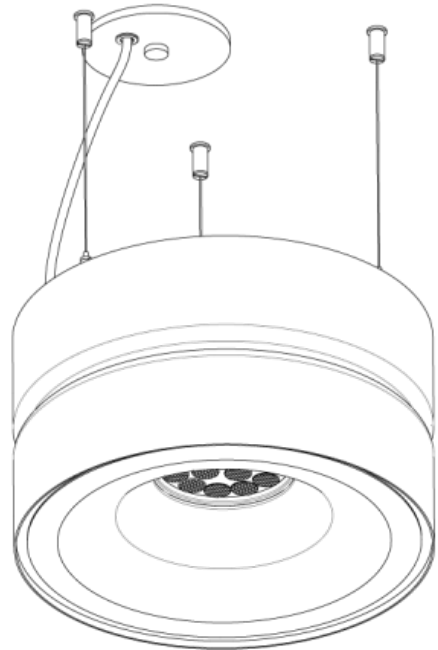
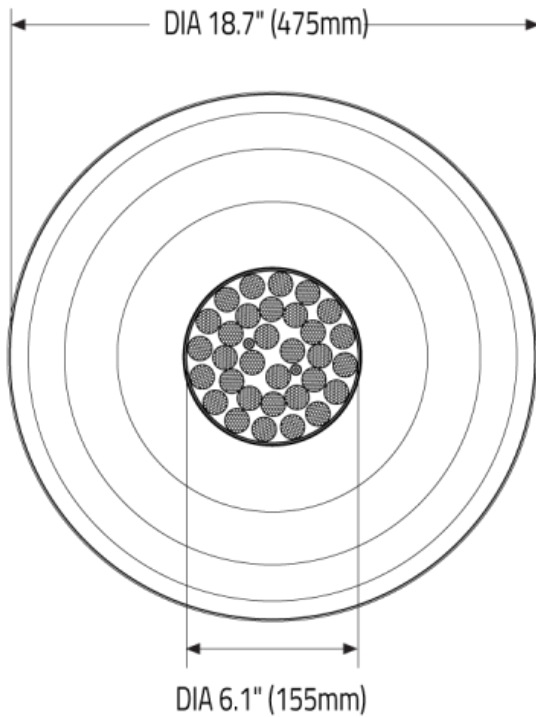


TRIPLE™ - POWER CORD SUSPENSION

19" Diameter



ISO View - Top



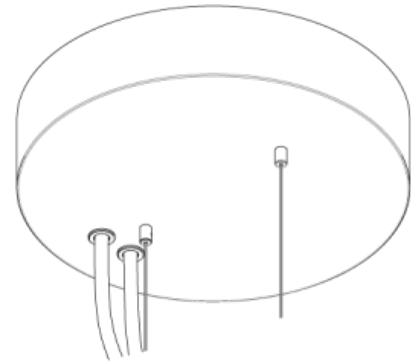
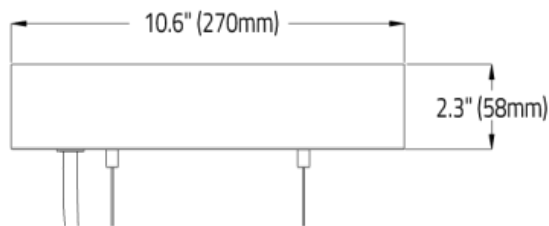
ISO View - Bottom

TRIPLE 6" CANOPIES

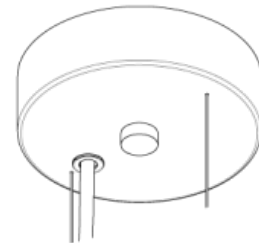
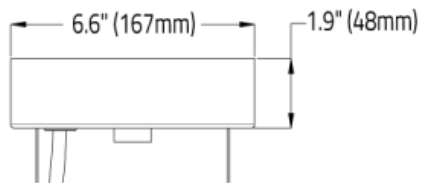


CN1 (Canopy A) Drivers are Integral within the fixture, not available with RGBW or TRPP2PO6 when ordering 1400 lms direct.

CN3 (Canopy C) Drivers are in the remote box and can be used with RGBW for both NA & EU.

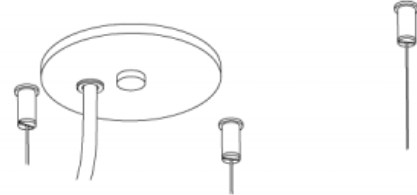
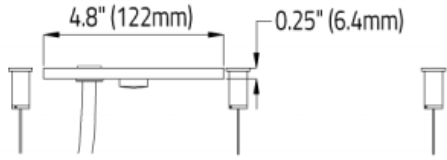


CN2 (Canopy B) Drivers are in the canopy and can be used with RGBW.



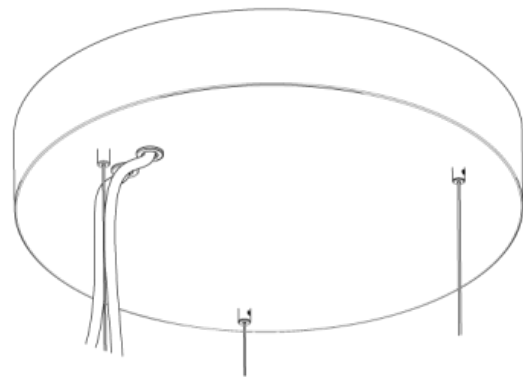
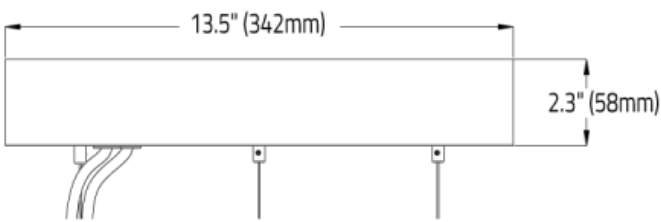
CN4 (Canopy D) For use with 240V only when RGBW is not required.

TRIPLE 13" CANOPIES

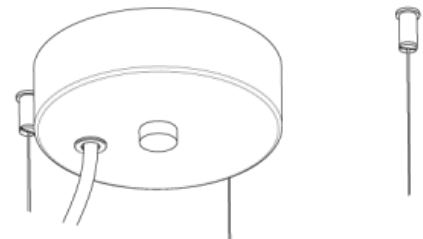
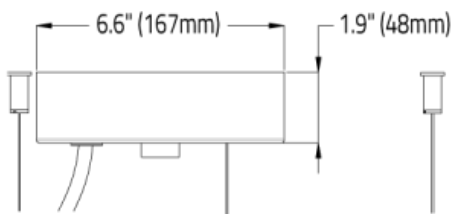


CN1 (Canopy A) Drivers are Integral within the fixture, not available with RGBW or TRPP2PO6 when ordering 1400 lms direct.

CN3 (Canopy C) Drivers are in the remote box and can be used with RGBW for both NA & EU.

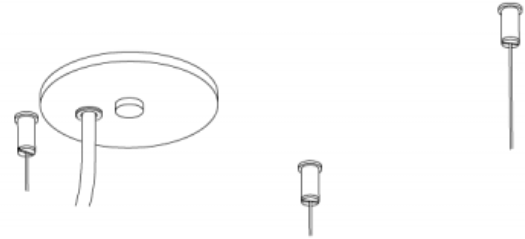
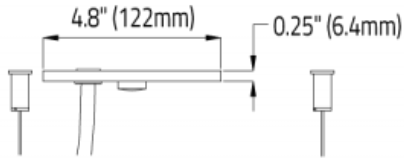


CN2 (Canopy B) Drivers are in the canopy and can be used with RGBW.



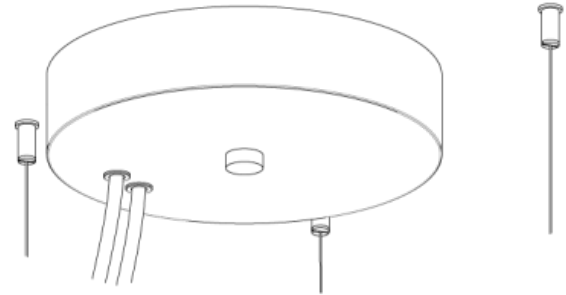
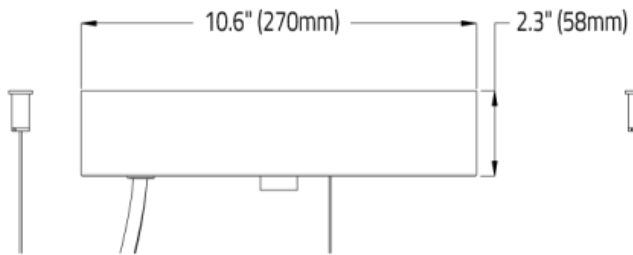
CN4 (Canopy D) For use with 240V only when RGBW is not required.

TRIPLE 19" CANOPIES

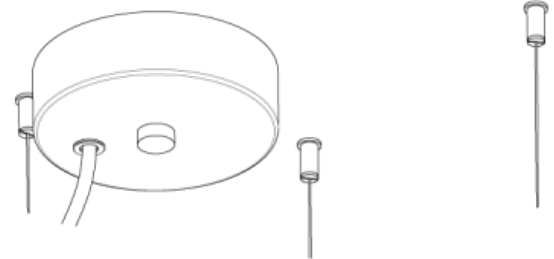
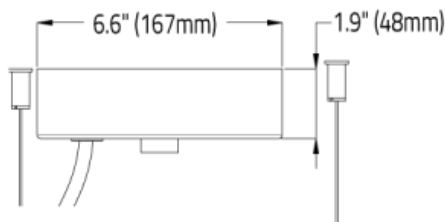


CN1 (Canopy A) Drivers are Integral within the fixture, not available with RGBW or TRPP2PO6 when ordering 1400 lms direct.

CN3 (Canopy C) Drivers are in the remote box and can be used with RGBW for both NA & EU.



CN2 (Canopy B) Drivers are in the canopy and can be used with RGBW.



CN4 (Canopy D) For use with 240V only when RGBW is not required.