



GENERAL SPECIFICATION

Body and trim: Steel and aluminium (extruded).

Array housings: Die cast aluminium.

Gimbal: Fully articulating on two axes.

Suspension: Two cables, fully adjustable.

Reflectors: Highly reflective, specular finish, vacuum plated.

Protective lens: Clear glass. Supplied with 26W fixtures only.

Power cable: Silver braided.

Finish: Silver Metallic powder coated.

Drivers: HPF electronic for 120-277V (EU-240V). 0-10V dimming (10%).

L70 @25deg C (77deg F): > 60,000 hrs.

Delivered Lumens: Delivered lumens & LPW based on 3000K (min 80 CRI).

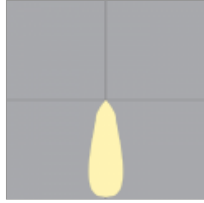
Approvals: Damp Location (Indoor use only).

Note: Photometric testing performed using LM79 procedures.

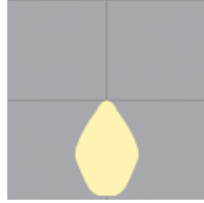
MOUNTING & OPTICS



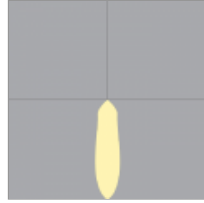
Suspended Direct



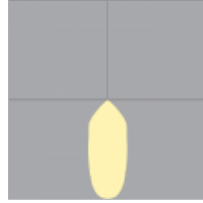
26W-36°



26W-70°



38W-28°



38W-47°

HOW TO ORDER

A SPECIFY LUMINAIRE

Code	Type
51 0510	1 spotlight head
51 0520	2 spotlight heads
51 0530	3 spotlight heads
51 0540	4 spotlight heads
51 0560	6 spotlight heads
51 0580	8 spotlight heads

B SPECIFY BRIDGELUX LED

Code	Power (LED)	CCT	CRI	Dimensions	Delivered lms	LPW	CBCP
LA	26W	3000K	80	A	2085	80	4104
LB	26W	3000K	90	A	1689	65	3324
LC	26W	3500K	80	A	2127	81	4186
LD	26W	3500K	90	A	1770	68	3483
LE	26W	4000K	80	A	2169	83	4268
LF	26W	4000K	90	A	1820	70	3581
LG	38W	3000K	80	B	3045	80	6087
LH	38W	3000K	90	B	2471	65	4938
LI	38W	3500K	80	B	3133	82	6264
LJ	38W	3500K	90	B	2674	70	5344
LK	38W	4000K	80	B	3185	83	6367
LL	38W	4000K	90	B	2686	70	5369

C SPECIFY REFLECTORS

R1 Medium 36° (Bridgelux-26W)

Additional Information

Reflectors **MUST** be ordered

R2 Extra Wide 70° (Bridgelux-26W)

R3 Medium 28° (Bridgelux-38W)

R4 Wide 47° (Bridgelux-38W)

D SPECIFY DIMMING OPTIONS (FOR 1-4 HEAD FIXTURES ONLY)

D1 0-10V Dimming 1%

D2 0-10V Dimming 0.1%

DL DALI Dimming 1%

DA DALI Dimming 0.1%

L1 Lutron L3DA3W Hi-Lume 1%

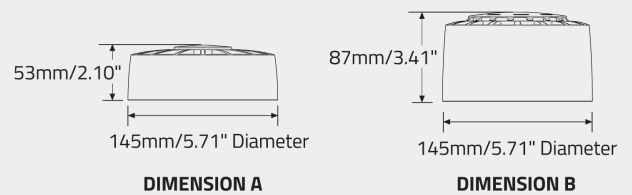
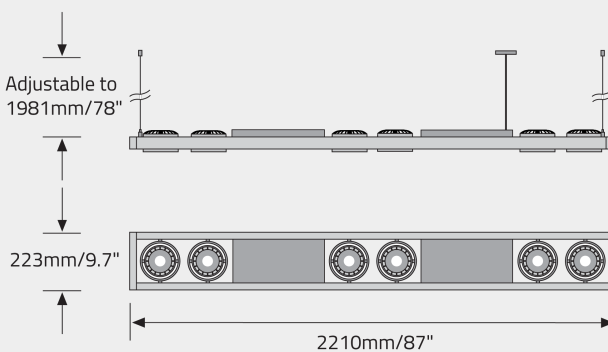
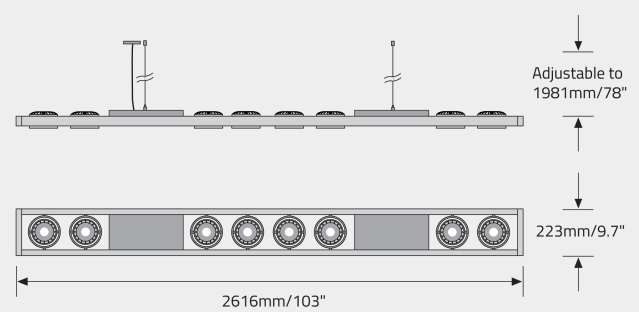
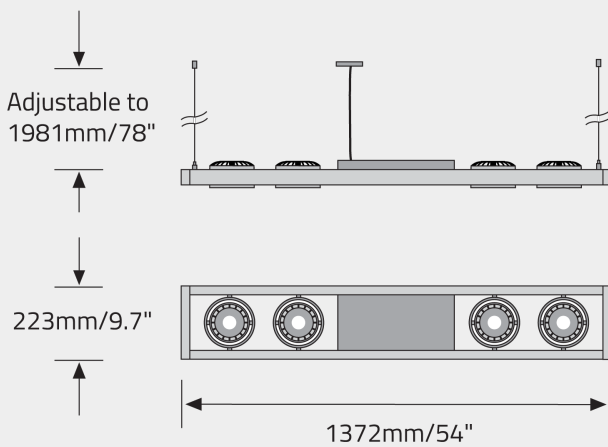
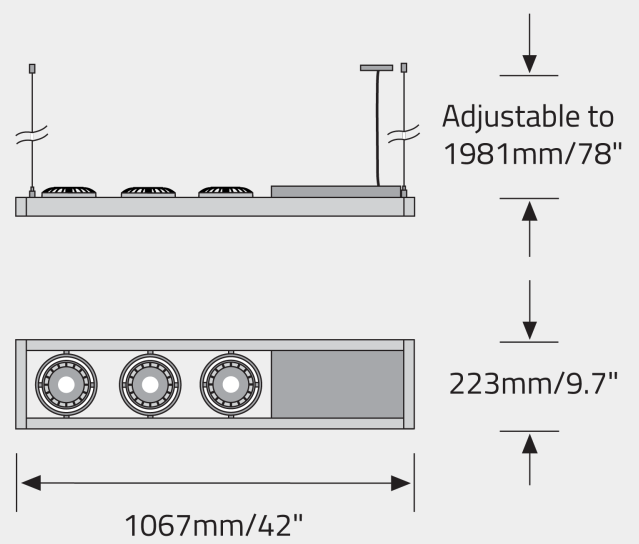
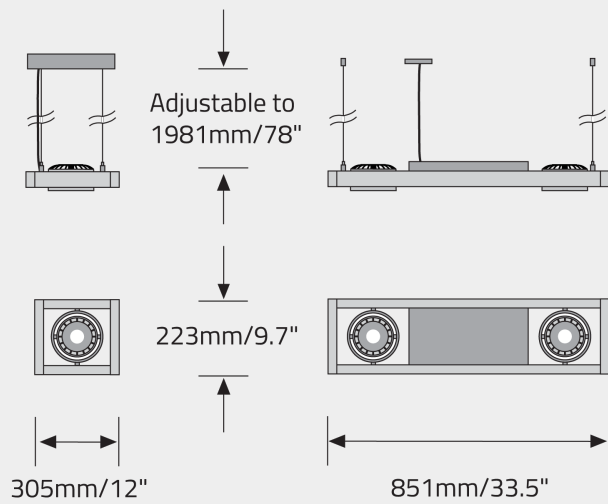
L2 Lutron LDE1 Hi-Lume 1% - H EcoSystem

L3 Lutron L3DAE Hi-Lume 1% EcoSystem

EXAMPLE CODE

510520/LD + 2 of R1

DIMENSIONAL DIAGRAMS



APPROVALS



DAMP
LOCATION



IP20