



GENERAL SPECIFICATION

Body: Die cast aluminium and steel.

Finish: White powder coated.

Suspension: Two polished chrome plated tubes or stainless steel cables.

Power cable: Silver braided.

Reflectors: Aluminium, specular finish with vertical facets.

LED protection: Clear lense.

Drivers: HPF electronic 120-277V (EU-240V), 0-10V, 10% dimming.

Dust cover: Clear polycarbonate.

Emergency systems:

Integral: Emergency option provides a 1.5 hour (3 hours for EU) emergency lighting facility. The self contained system includes the inverter module, NiCad batteries, LED charge indicator and test switch (NA only). Integral emergency luminaires have a 50mm/2" extended ballast housing. Not available with a 347V supply.

Remote: Emergency option provides a 1.5 hour (3 hours for EU) emergency lighting facility. The remote system includes the inverter module, NiCad batteries and a remote wall/ceiling LED charge indicator and test switch (NA only) Maximum distance between wall/ceiling plate and luminaire is 4.5m/15'. Test switch fits a single gang box (not supplied).

Mechanical: Luminaires mount directly over a junction box (not



XACARA L REFLEKTOR

WEB PIN 161

supplied).

Delivered Lumens: Delivered lumens & LPW based on 3000K (min 80 CRI).

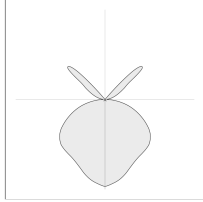
Approvals: Damp Location (Indoor use only).

Note: Photometric testing performed using LM79 procedures.

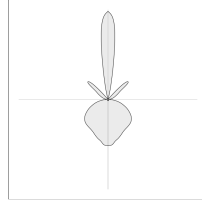
MOUNTING & OPTICS



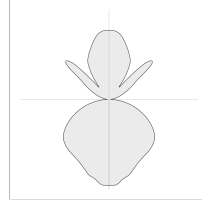
Suspended
Direct/Indirect



50 2520



50 2520-UH



50 2520-UM

HOW TO ORDER

A SPECIFY LUMINAIRE

| Code | Power (LED) | Delivered lms | LPW |
|---------|---------------|---------------|-----|
| 50 2520 | 120W (5 LEDs) | 9187 | 77 |

B SPECIFY CCT/CRI

| | |
|-----|--------------------|
| 30A | 3000K (min 80 CRI) |
| 30B | 3000K (min 90 CRI) |
| 35A | 3500K (min 80 CRI) |
| 35B | 3500K (min 90 CRI) |
| 40A | 4000K (min 80 CRI) |
| 40B | 4000K (min 90 CRI) |

C SPECIFY SUSPENSION

| | |
|----|------------------|
| TS | Tube Suspension |
| CS | Cable Suspension |

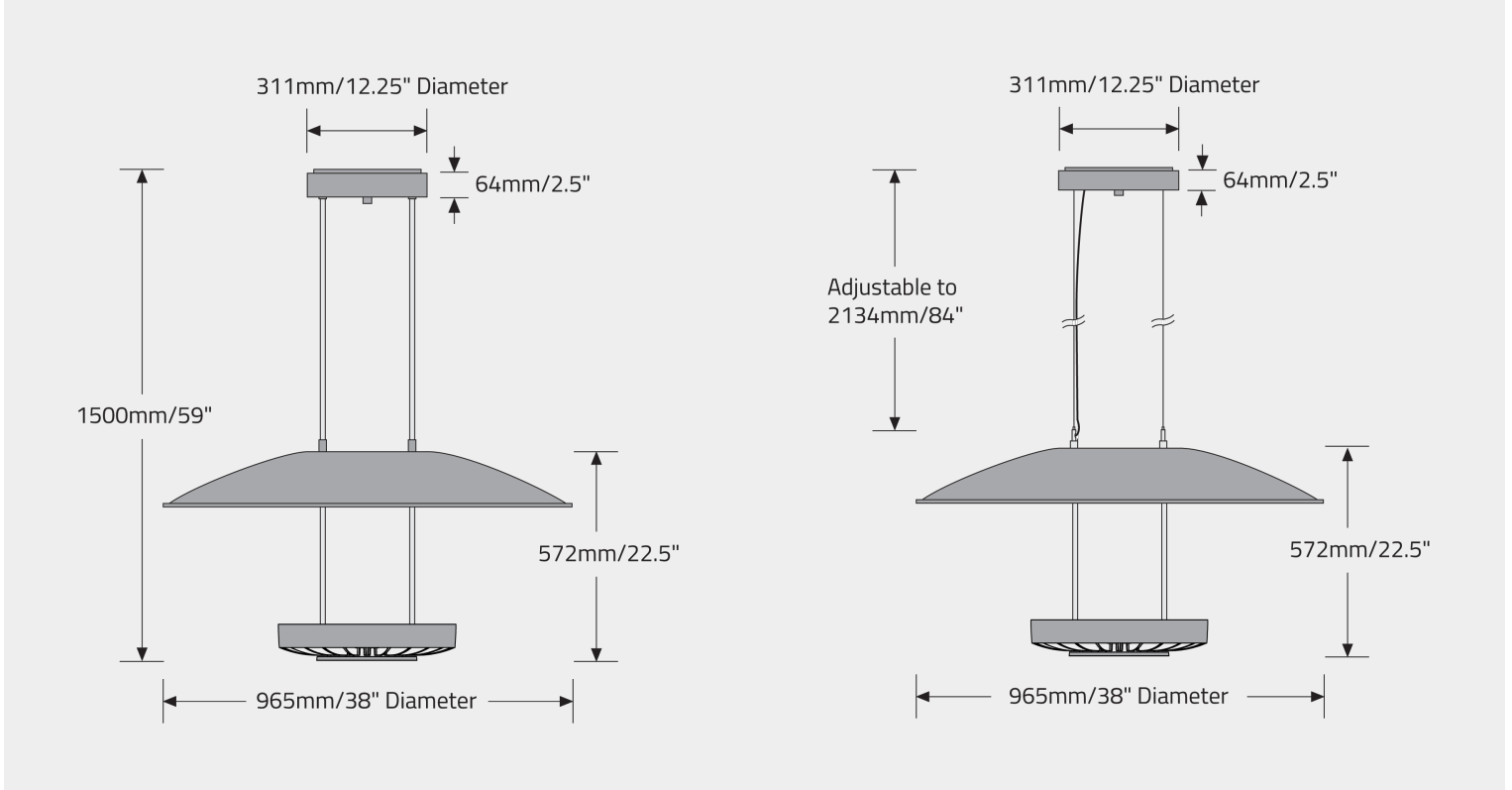
D SPECIFY OPTIONS

| | |
|----|--|
| DA | DALI Dimming - 10% (not available with 347V) |
| RE | Remote Emergency (not available with DALI or 347V) |
| 3 | 347V (not available with DALI or RE) |
| SS | Separate Switching (in combination with UM, 0-10V dimming only) |
| UH | Uplight Hole (152mm/6" dia hole in main reflector provides upwards illumination) |
| UM | Uplight Module (1x28W Xacara, LED array same as specified in main housing) |

EXAMPLE CODE

502520/30A/TS

DIMENSIONAL DIAGRAMS



APPROVALS



DAMP
LOCATION



IP20